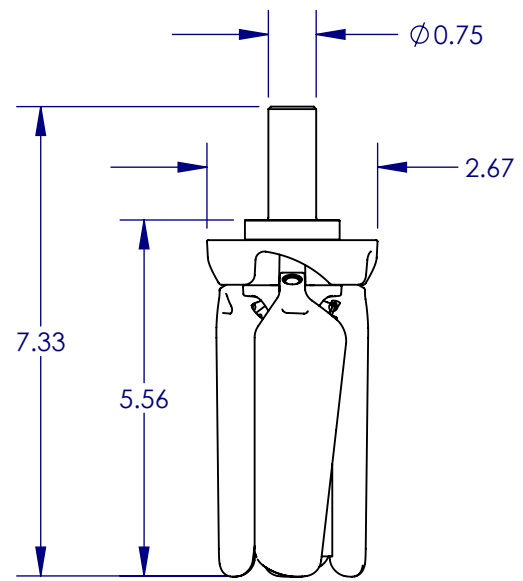
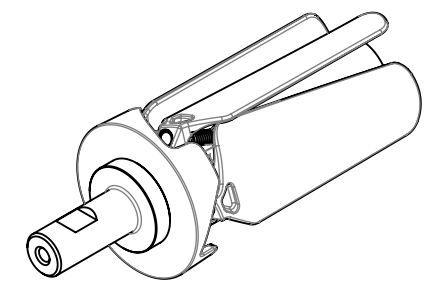
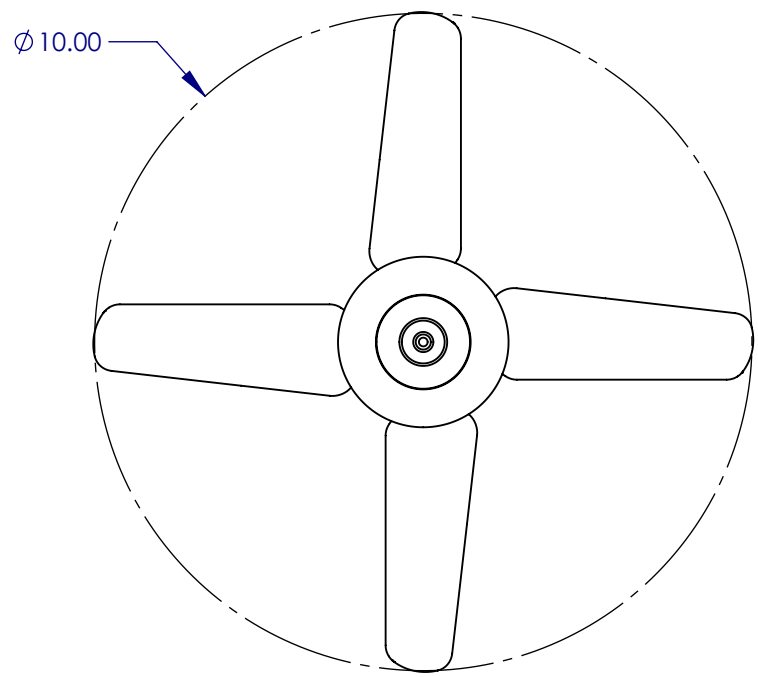
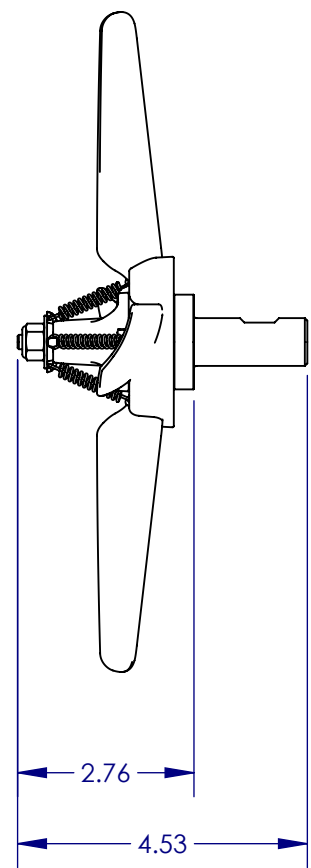


8 7 6 5 4 3 2 1

DRAWING NUMBER
1037389-W

REVISION	DESCRIPTION OF CHANGE	DATE	ECO NUMBER	APPROVED BY
B	UPDATED LASER MARKING	04/08/2020	ECO-107818	

D
C
B
A



D
C
B
A

RedLine	DRAWING NUMBER 1037389-W		
	DESCRIPTION 254MM STD CHIP FAN 0.750" SHANK, COOLANT THRU		
PART NUMBER RTF10			
DRAWN BY	DATE 03/29/2019	DESIGN STATUS RELEASED	REV. B
PRIOR DRAWING NUMBERS N/A	WEIGHT 0.90 LBS.	PROCESS STATE BLADES OPEN	SCALE 1:3
SIZE B			SHEET 1 OF 1

8 7 6 5 4 3 2 1