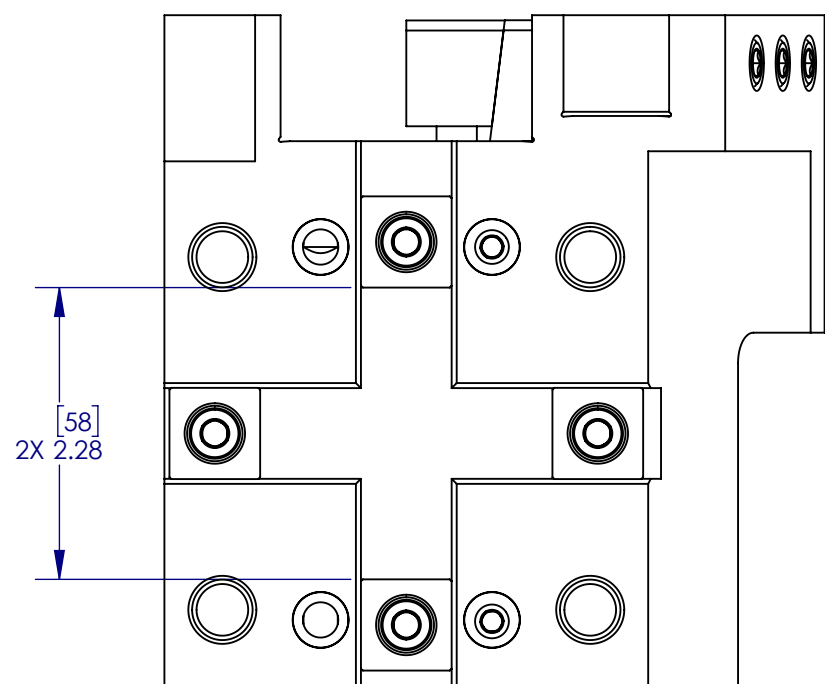
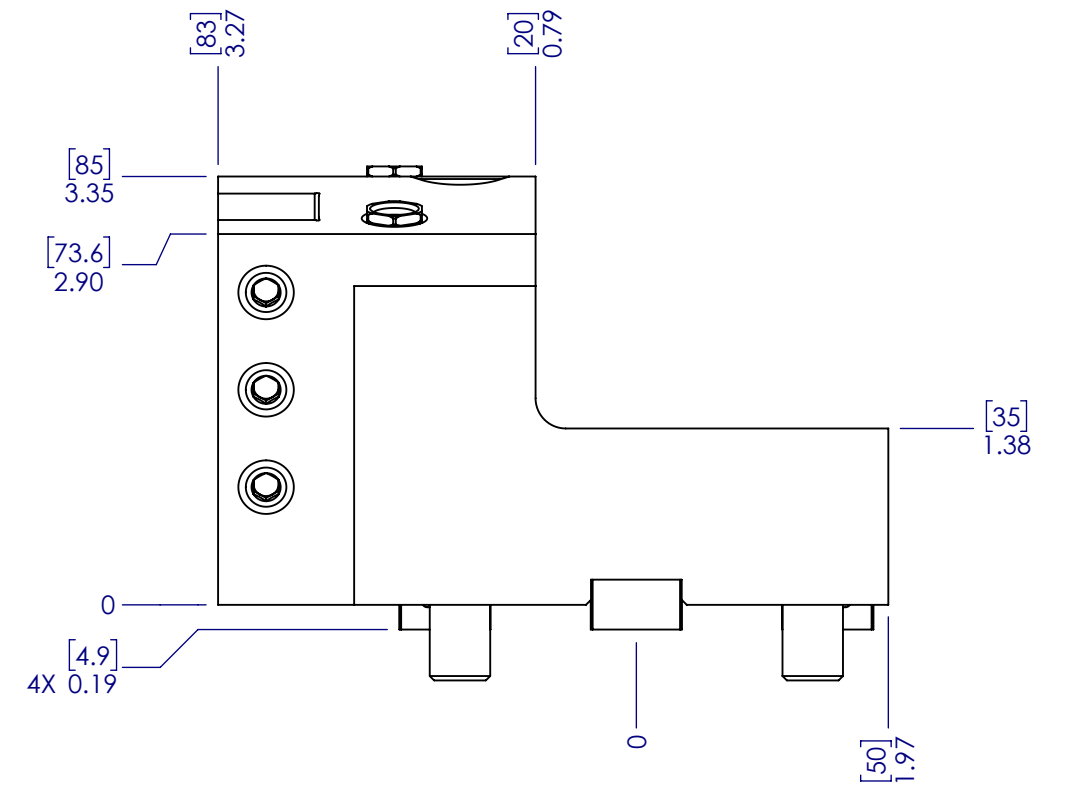
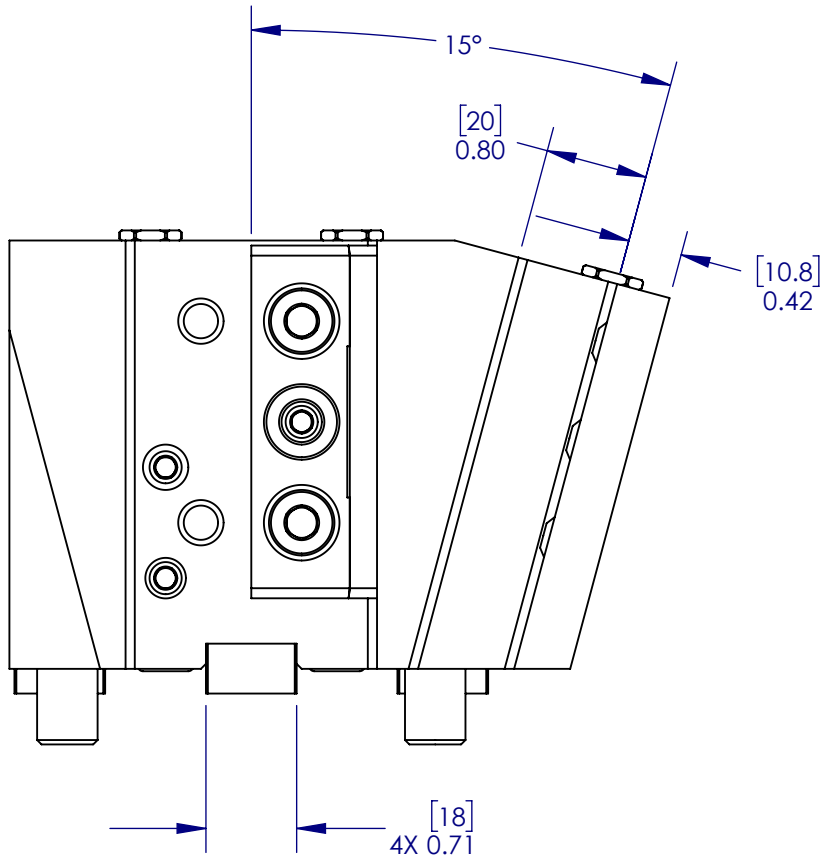
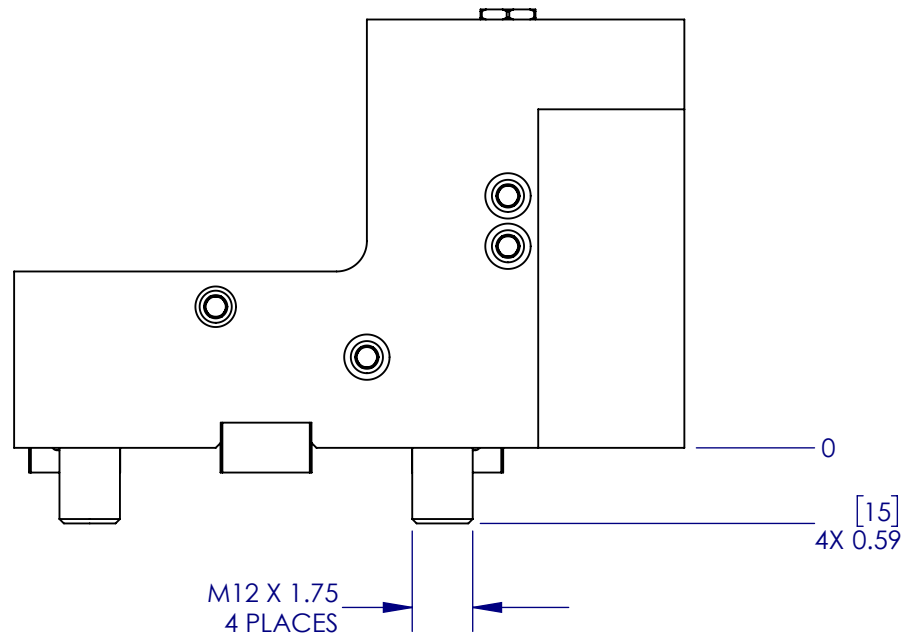
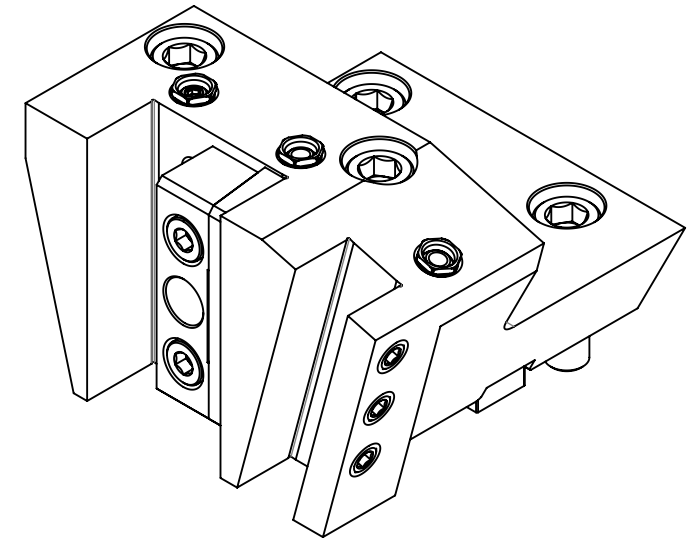
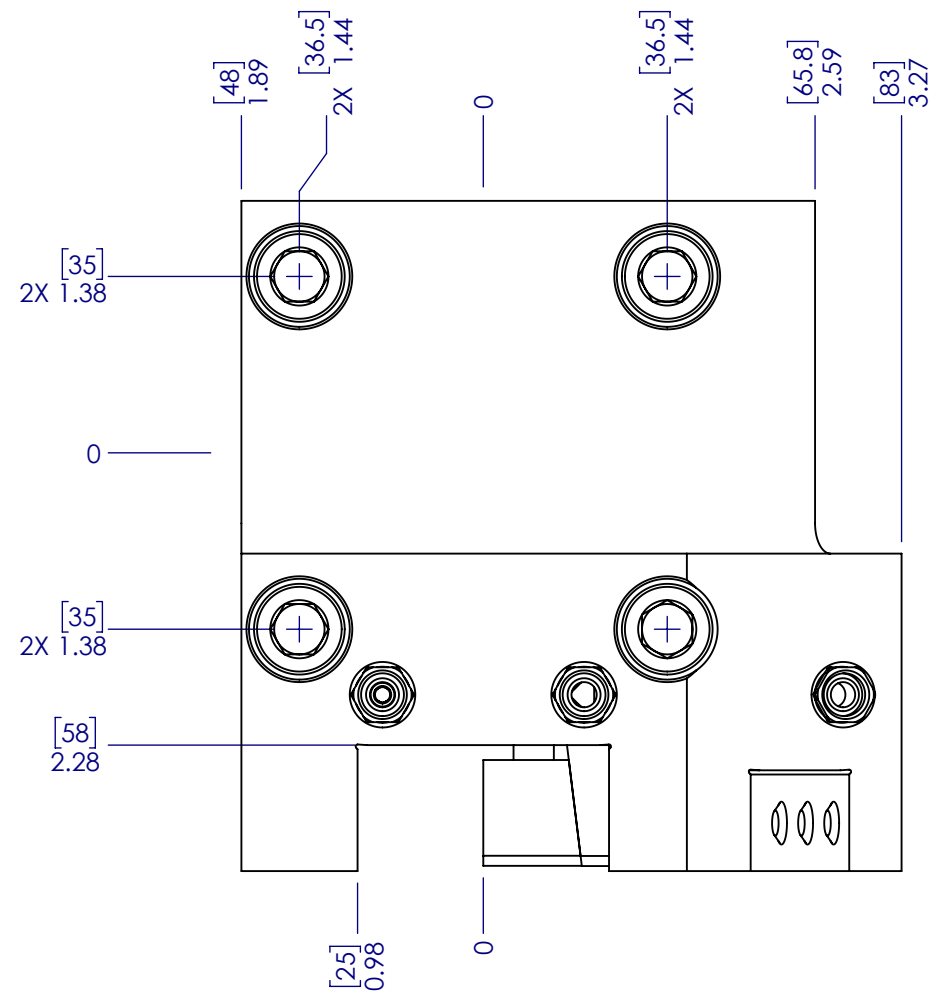
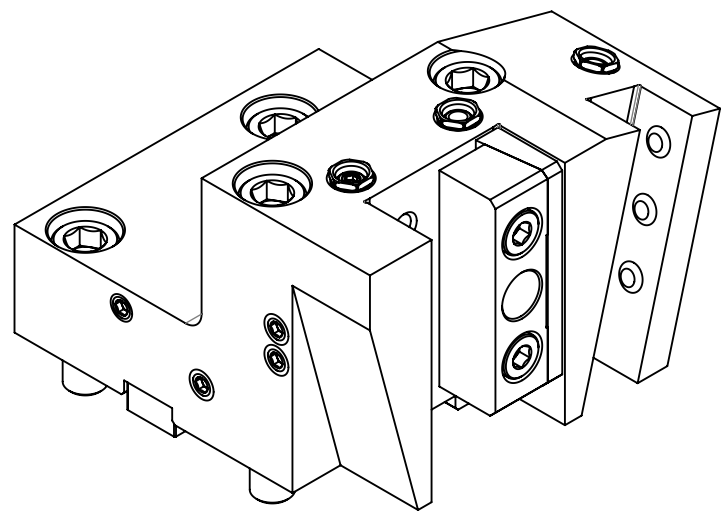


REVISION	DESCRIPTION OF CHANGE	DATE	ECO NUMBER	APPROVED BY
PRE-01	INITIAL DESIGN	05/08/2018	-	



RedLine	DRAWING NUMBER OMW-12093	
	DESCRIPTION BMT65 25MM-20MM OD HTH HAAS	
PART NUMBER RB65MOD2025MMHI		
DRAWN BY	DATE 05/08/2018	DESIGN STATUS PRE-PRODUCTION
PRICE DRAWING NUMBERS	WEIGHT N/A	PROCESS STATE ISO-13399 CONFIGURATION
SCALE 2:3		SHEET 1 of 1