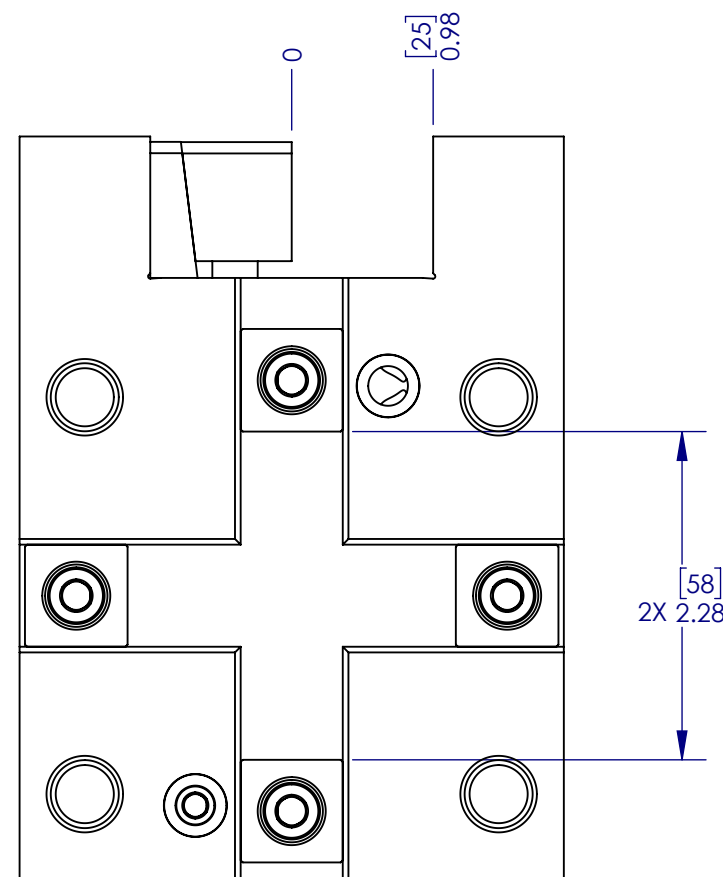
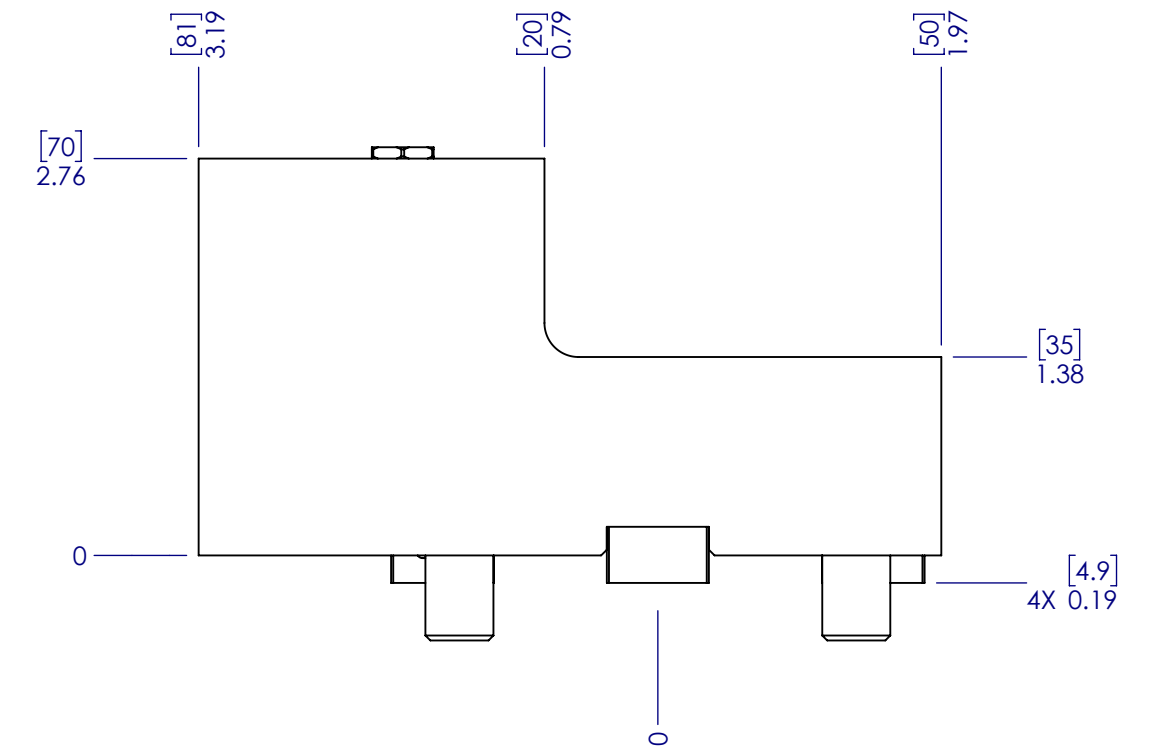
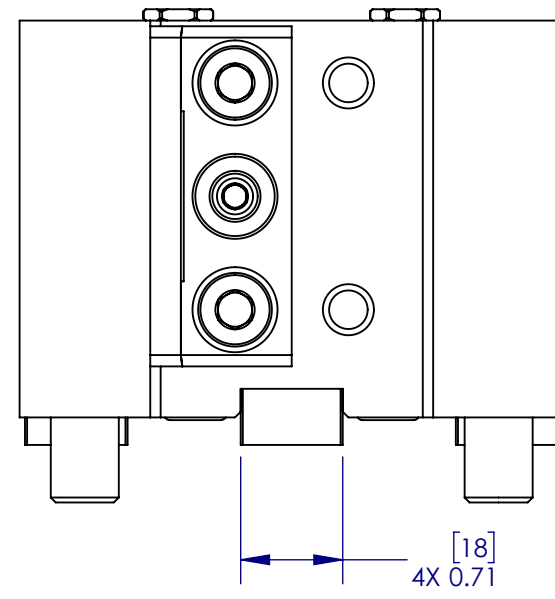
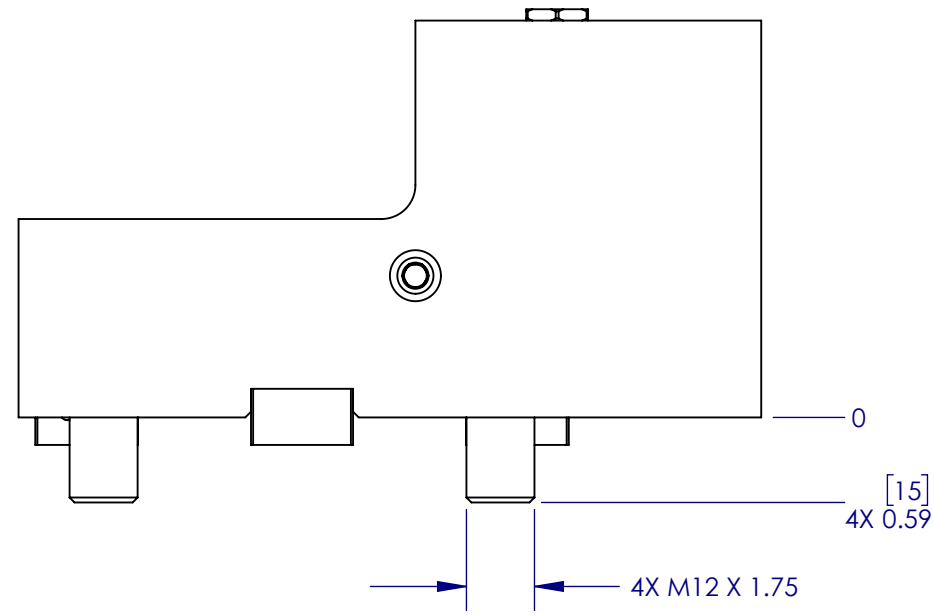
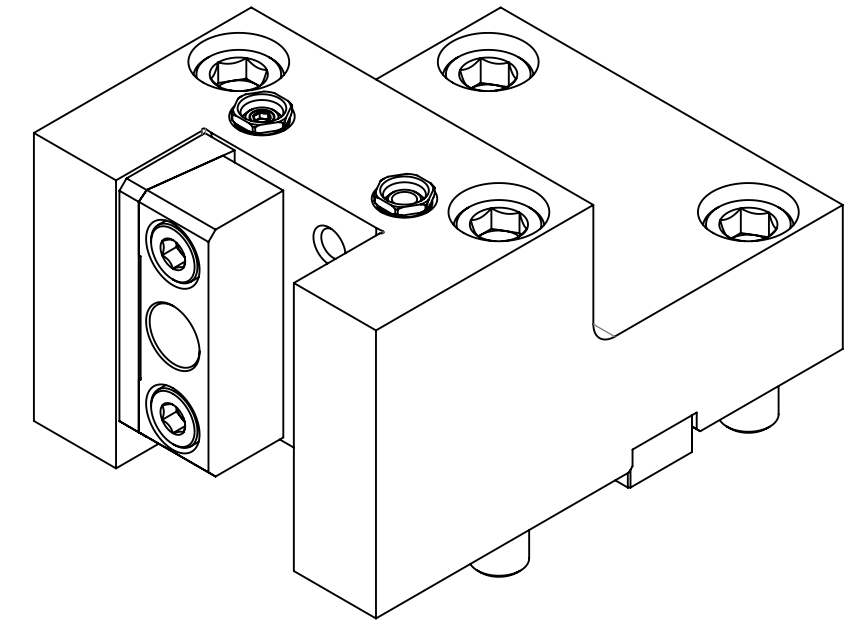
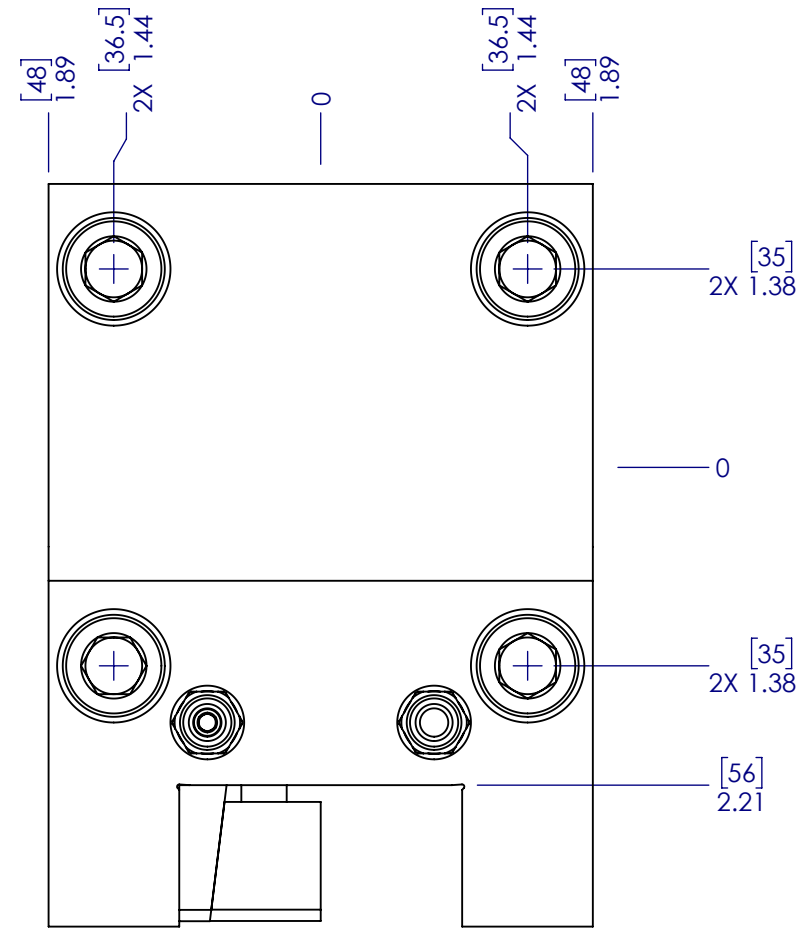
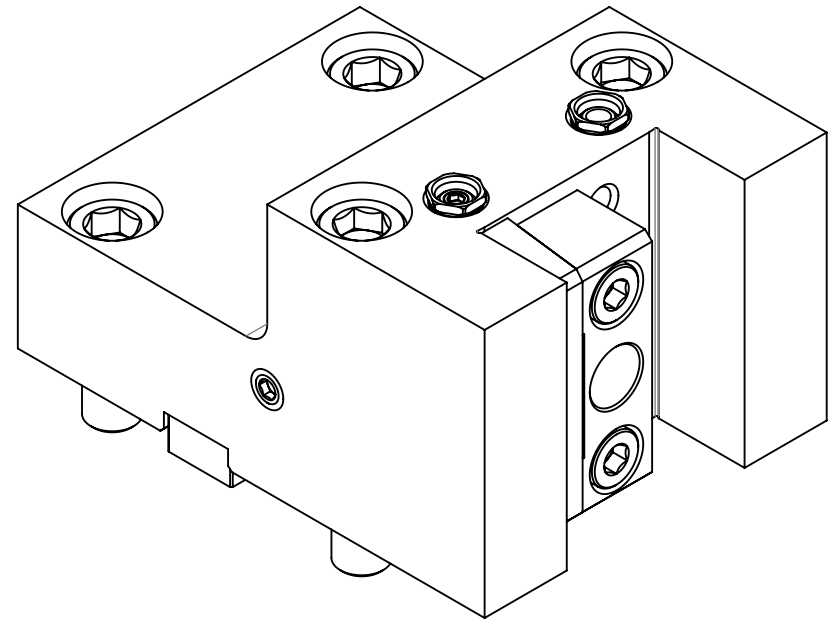


DRAWING NUMBER
OMW-12092

REVISION	DESCRIPTION OF CHANGE	DATE	ECO NUMBER	APPROVED BY
PRE-01	INITIAL DESIGN	05/07/2018	-	



RedLine		DRAWING NUMBER OMW-12092	
		DESCRIPTION BMT65 25MM OD TTH HAAS	
		PART NUMBER RB65MOD25MM	
DRAWN BY	DATE 05/07/2018	DESIGN STATUS PRE-PRODUCTION	REV. PRE-01
PRICE DRAWING NUMBERS N/A	WEIGHT 9.95	PROCESS STATE ISO-13399 CONFIGURATION	SCALE 3:4
		SIZE C	SHEET 1 of 1