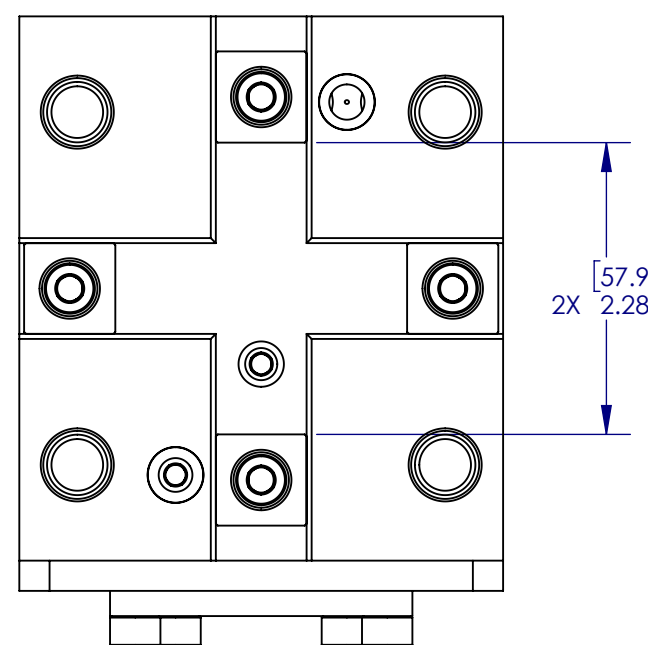
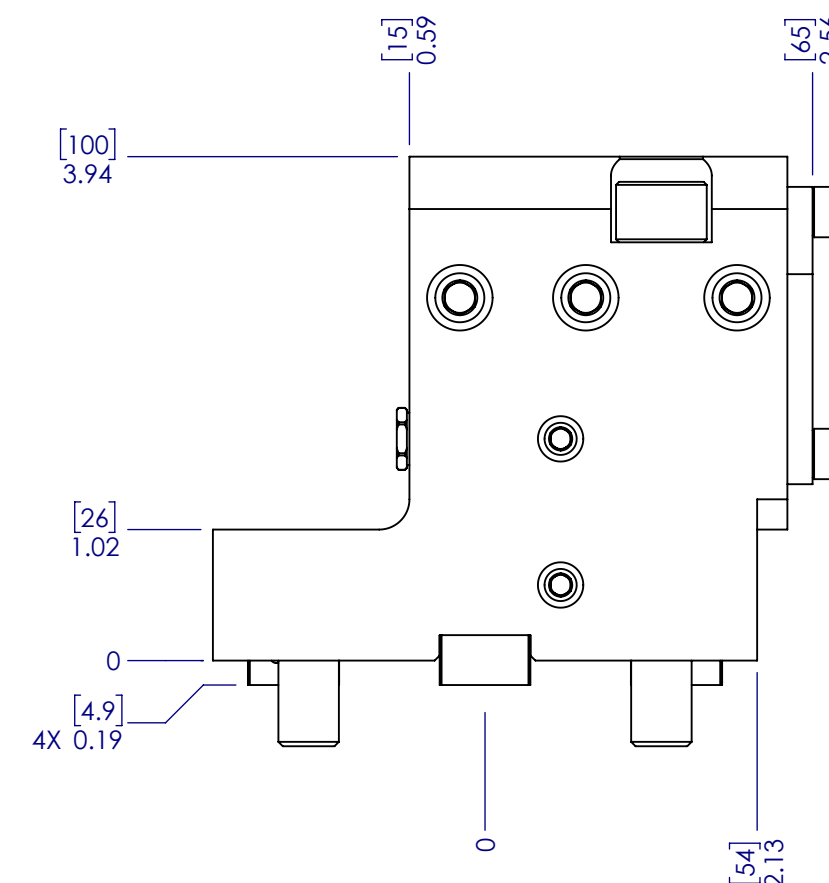
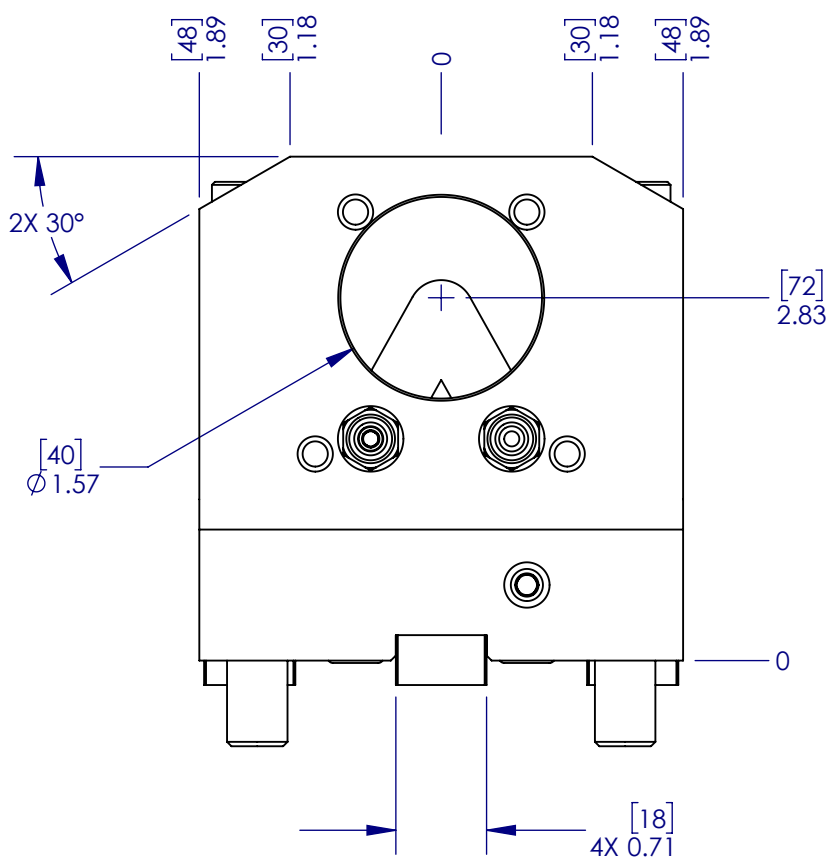
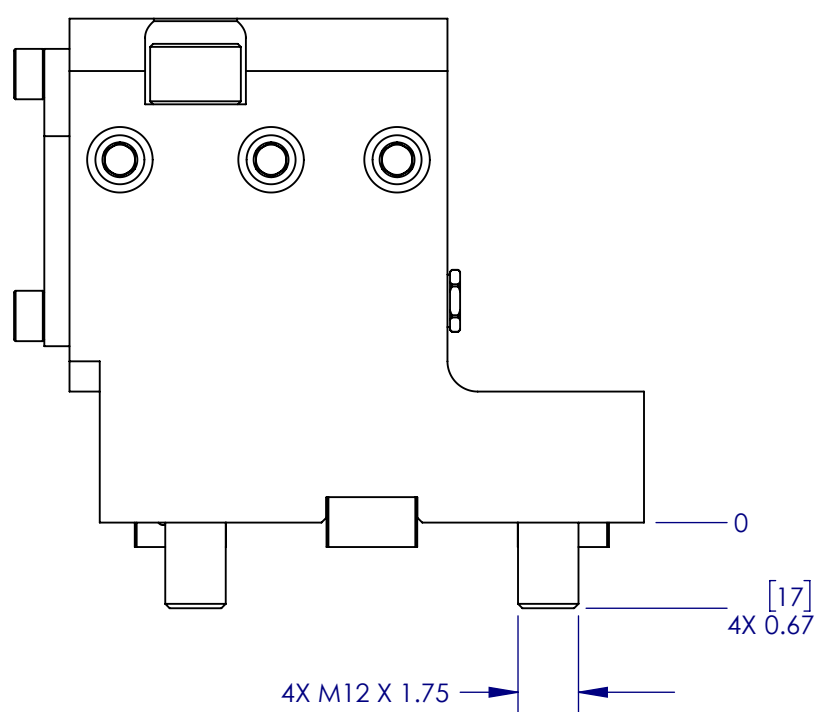
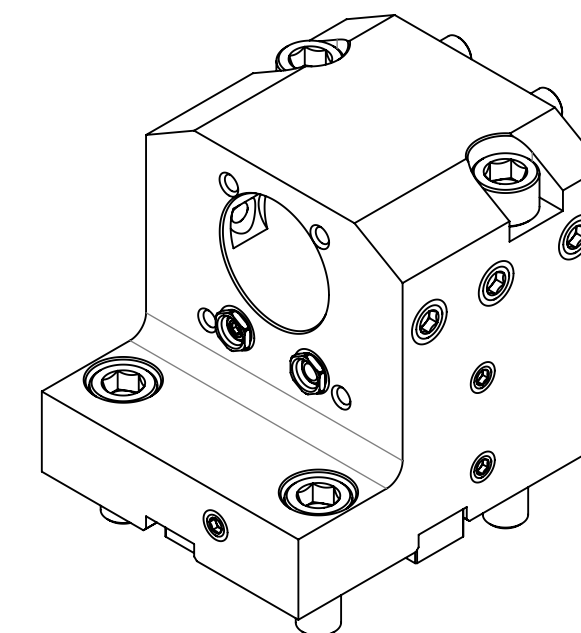
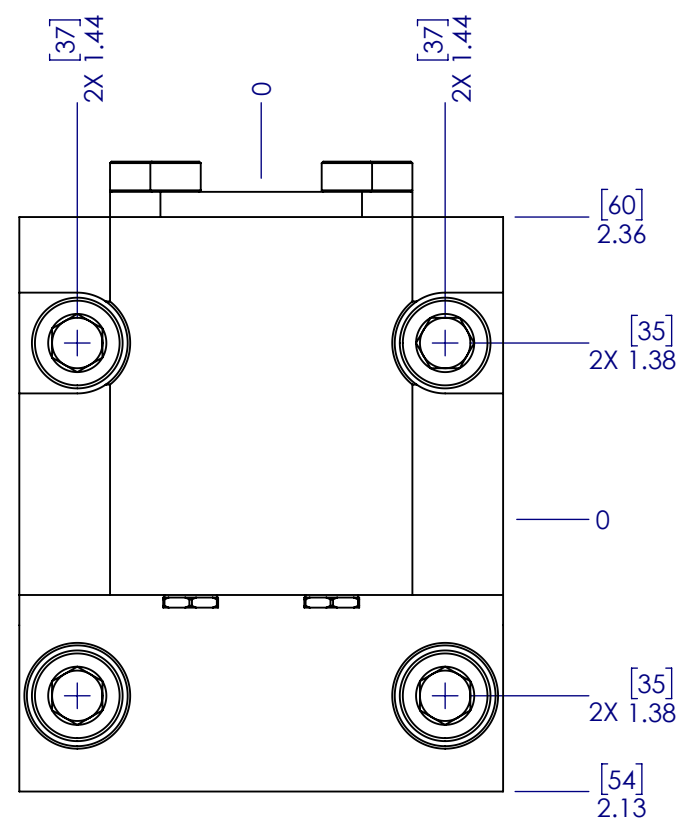
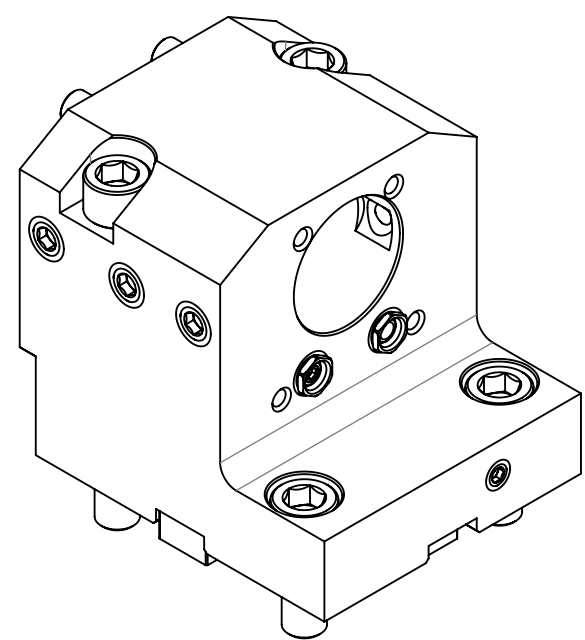


DRAWING NUMBER
OMW-12089

REVISION	DESCRIPTION OF CHANGE	DATE	ECO NUMBER	APPROVED BY
PRE-01	INITIAL DESIGN	05/07/2018	-	



RedLine	DRAWING NUMBER	OMW-12089		
	DESCRIPTION	BMT65 40MM ID BBH HAAS		
	PART NUMBER	RB65MID40MM		
DRAWN BY	DATE	DESIGN STATUS	REV.	
	05/07/2018	PRE-PRODUCTION	PRE-01	
PRICE DRAWING NUMBERS	WEIGHT	PROCESS STATE	SCALE	
N/A	N/A	ISO-13399 CONFIGURATION	2:3	
		SIZE	SHEET	
		C	1 of 1	