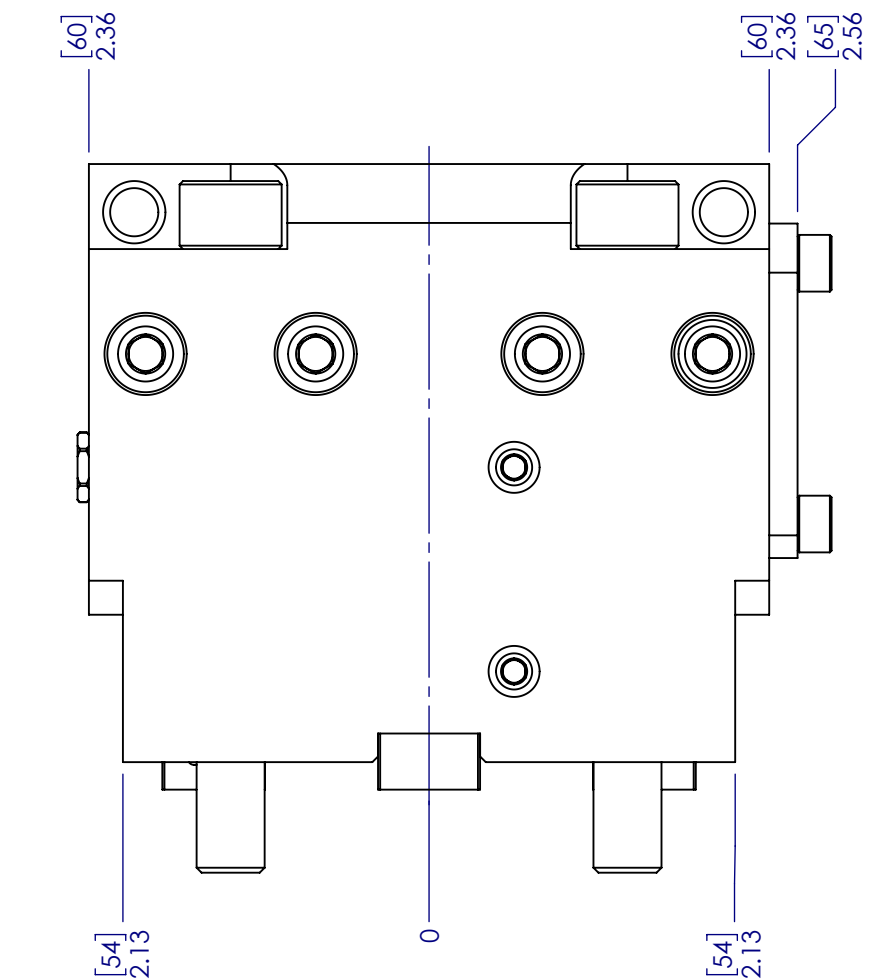
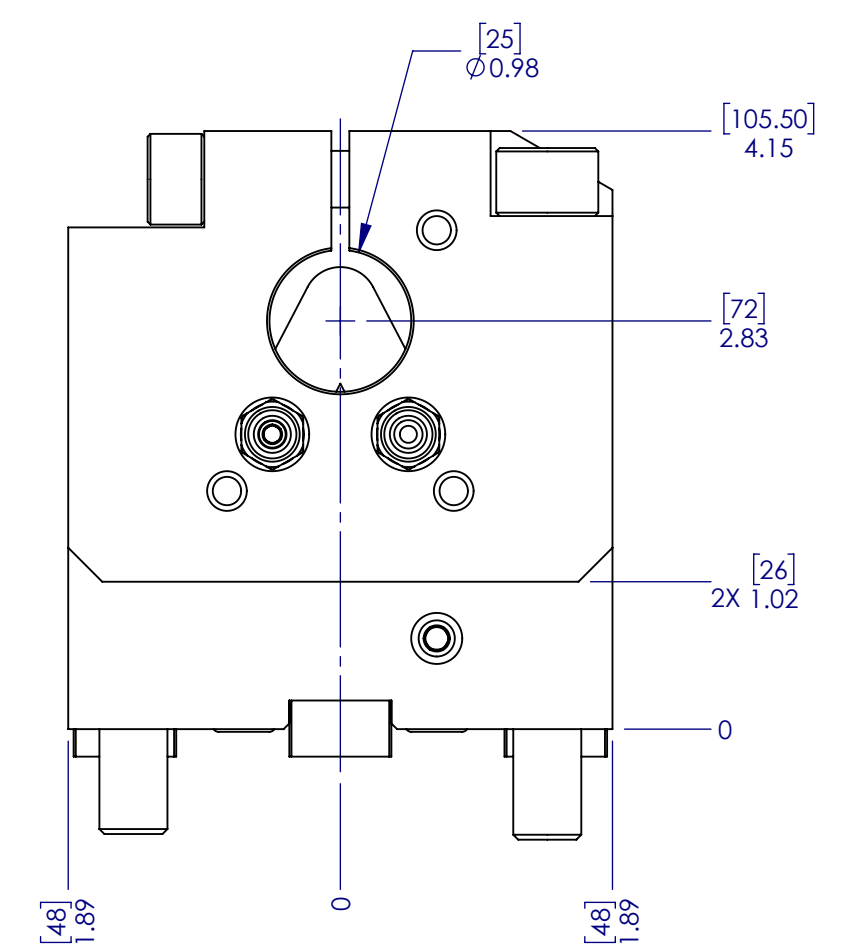
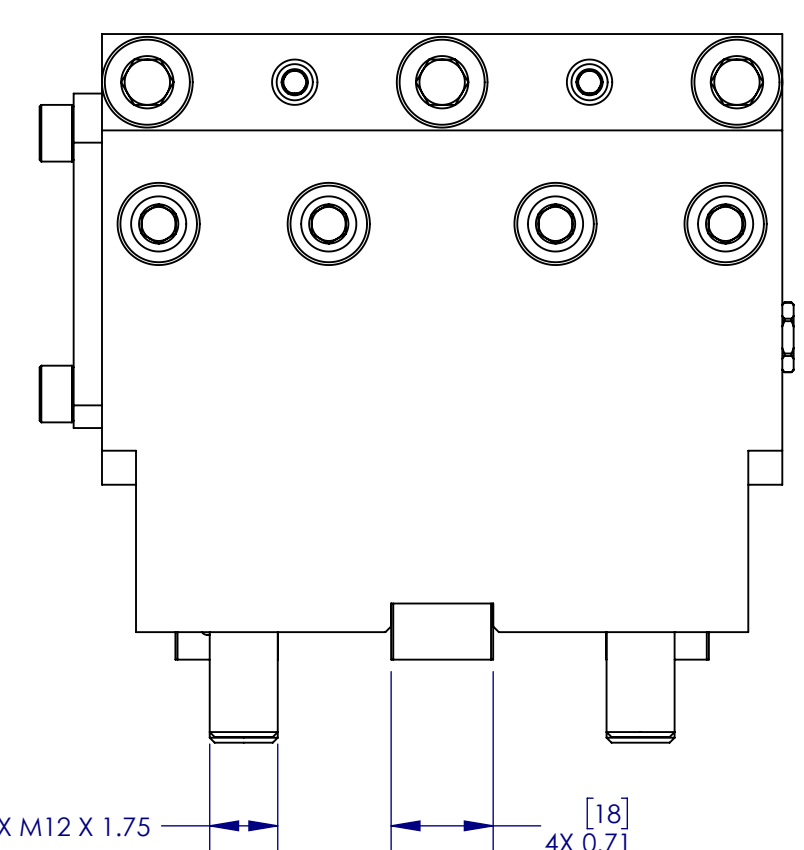
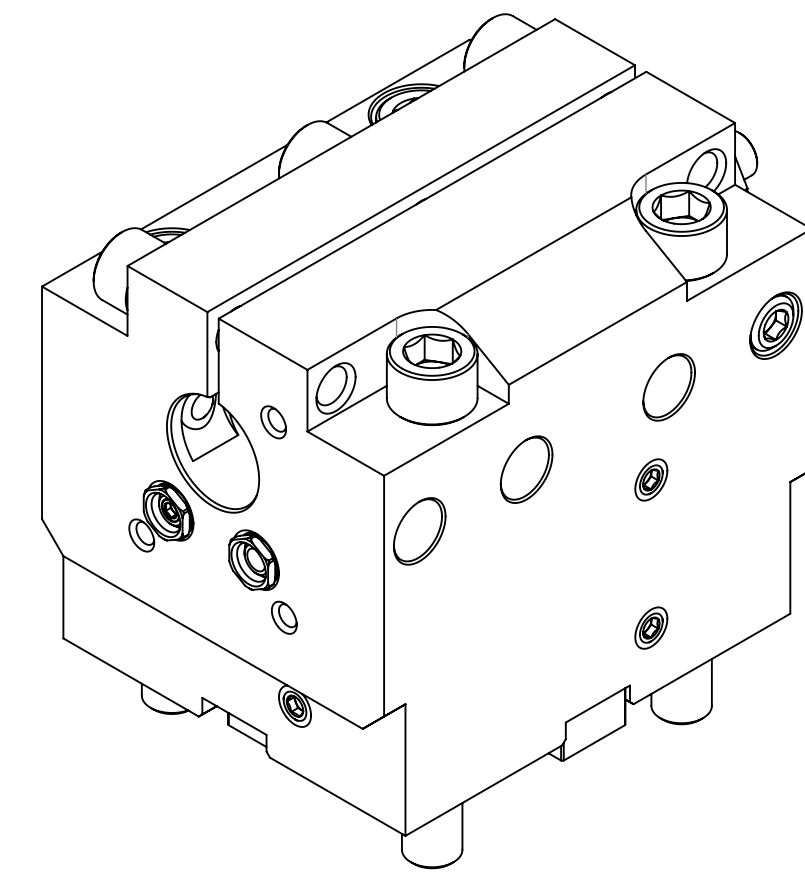
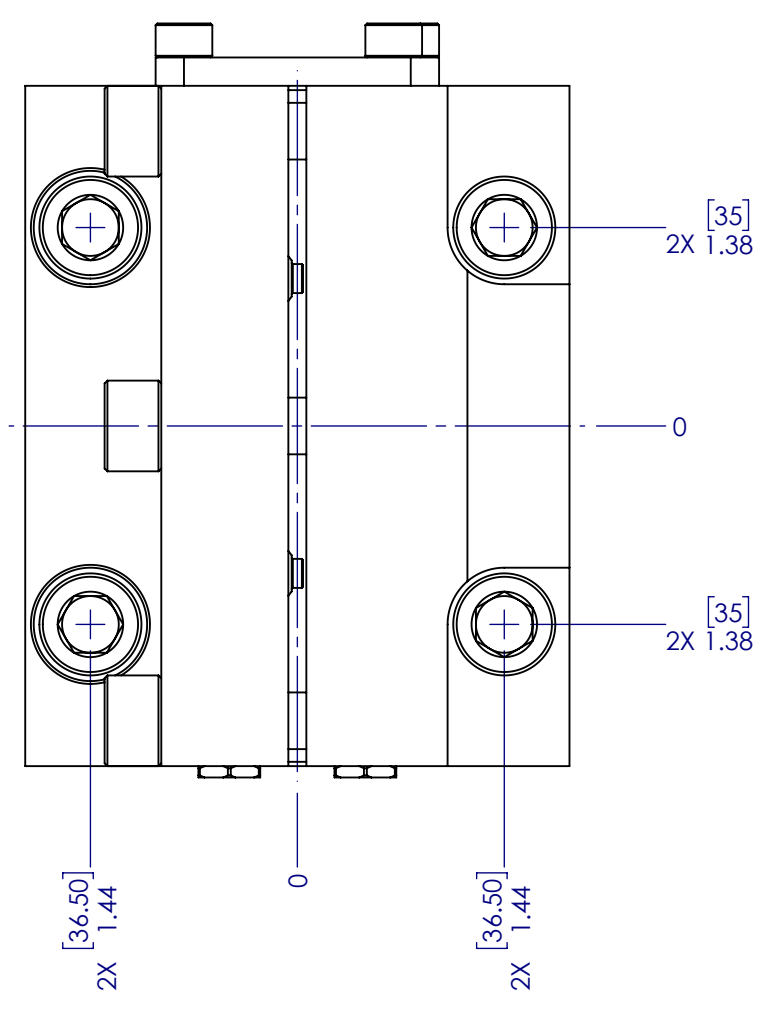
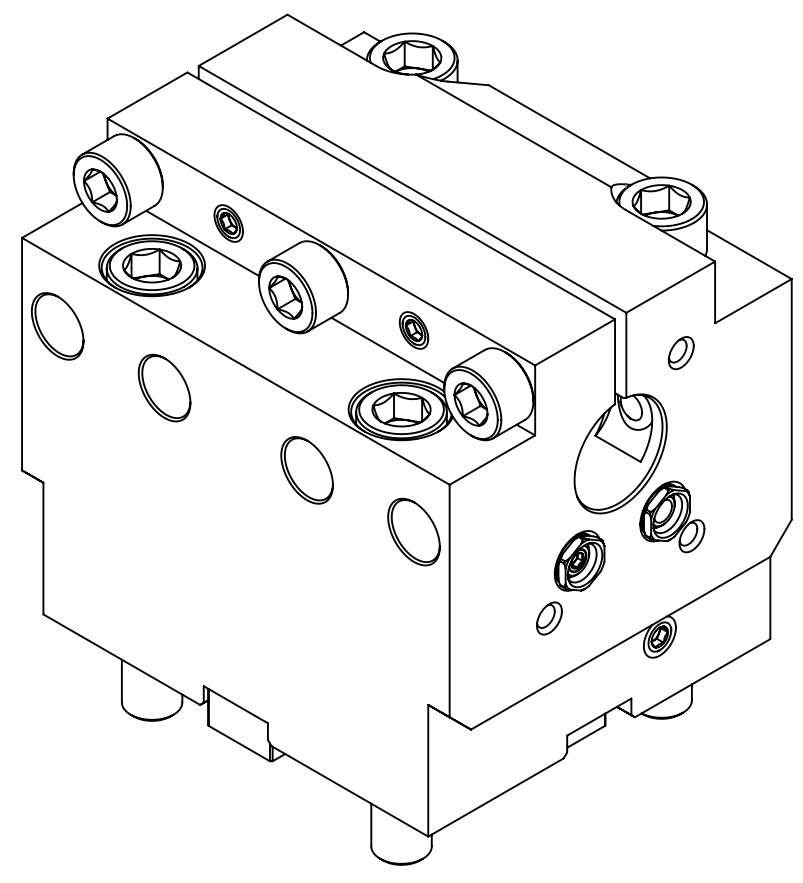


DRAWING NUMBER
OMW-12087

REVISION	DESCRIPTION OF CHANGE	DATE	ECO NUMBER	APPROVED BY
PRE-01	INITIAL DESIGN	5/7/2018	-	



RedLine	DRAWING NUMBER	OMW-12087		
	DESCRIPTION	BMT65 25MM ID SBBH HAAS		
	PART NUMBER	RB65MID25MMSP		
DRAWN BY	DATE	DESIGN STATUS	REV.	
	5/7/2018	PRE-PRODUCTION	PRE-01	
PRICE DRAWING NUMBERS	WEIGHT	PROCESS STATE	SCALE	
N/A	N/A	ISO-13399 CONFIGURATION	3:4	
		SIZE	SHEET	
		C	1 of 1	