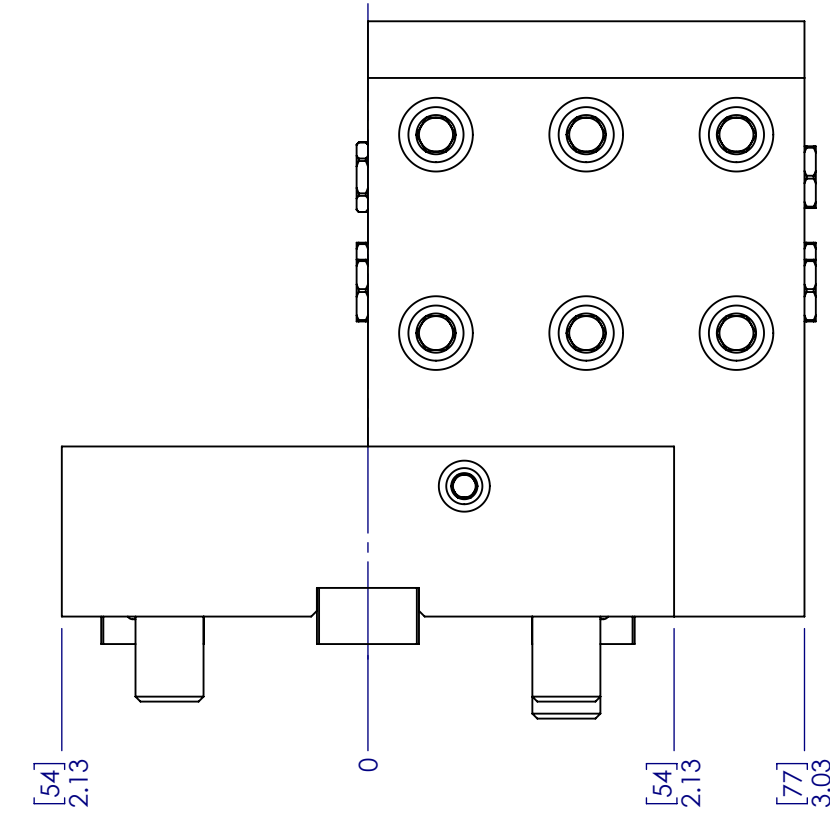
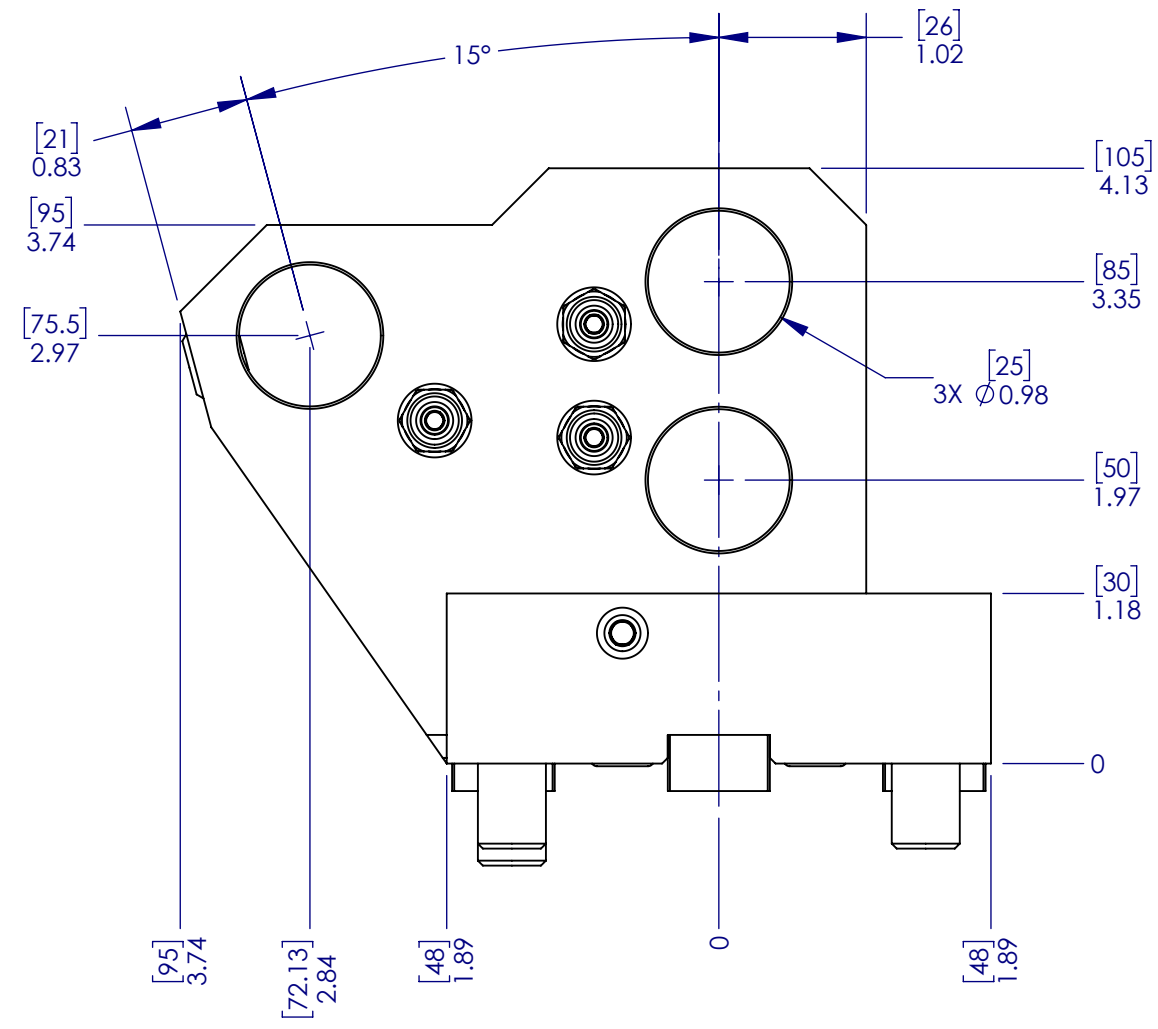
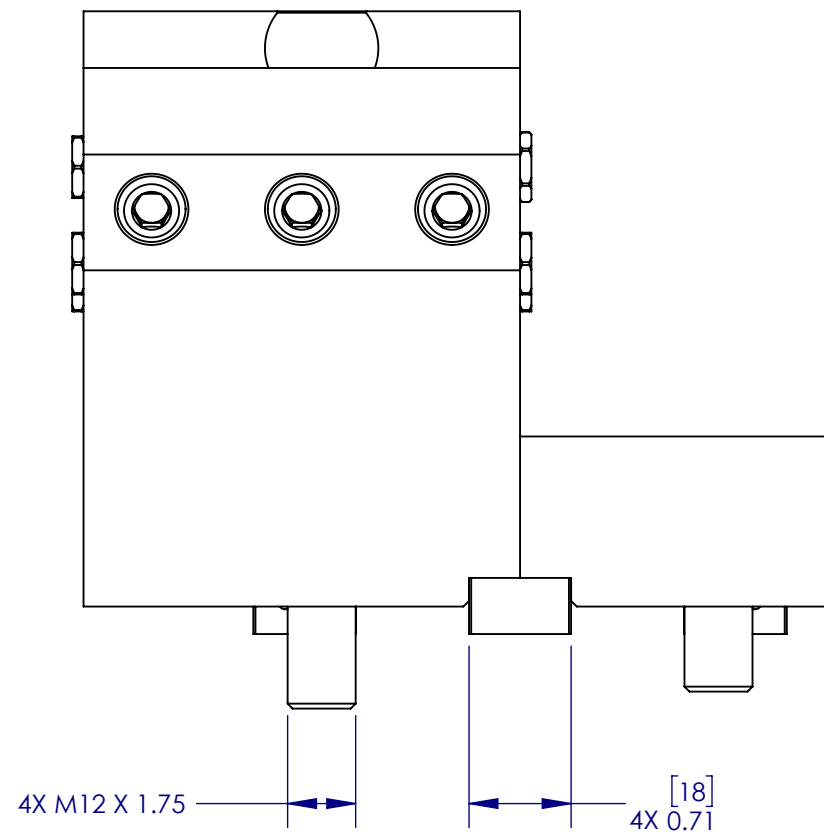
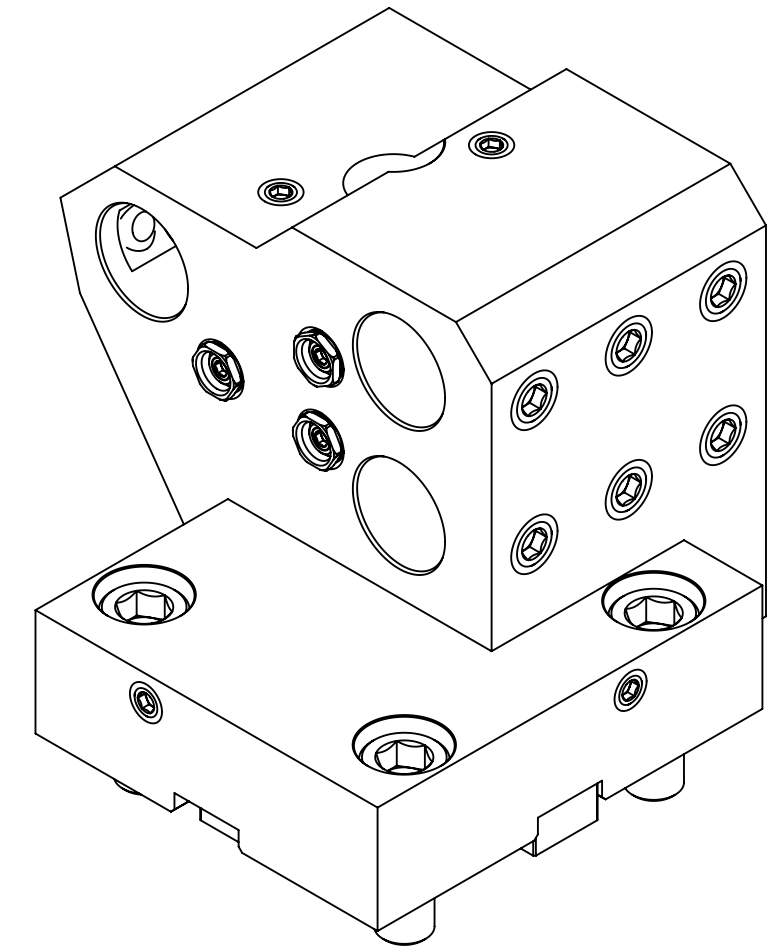
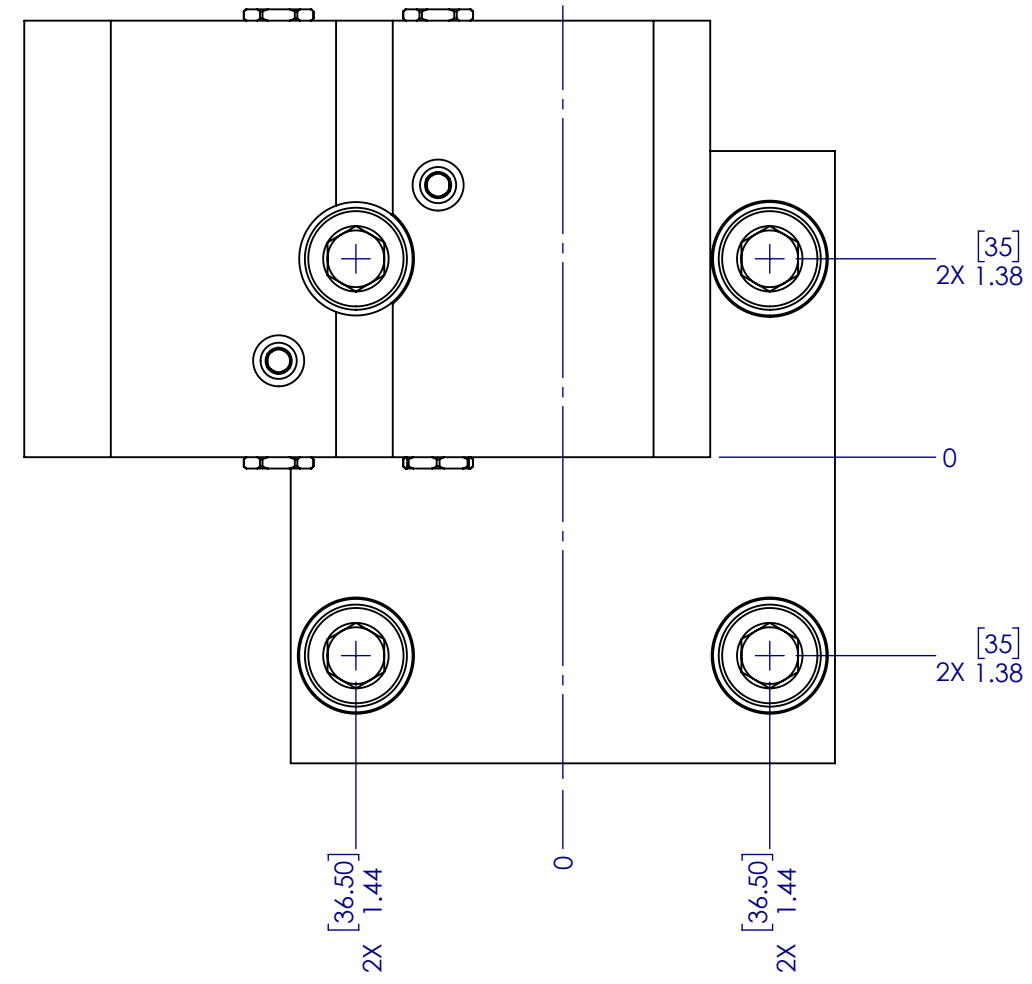
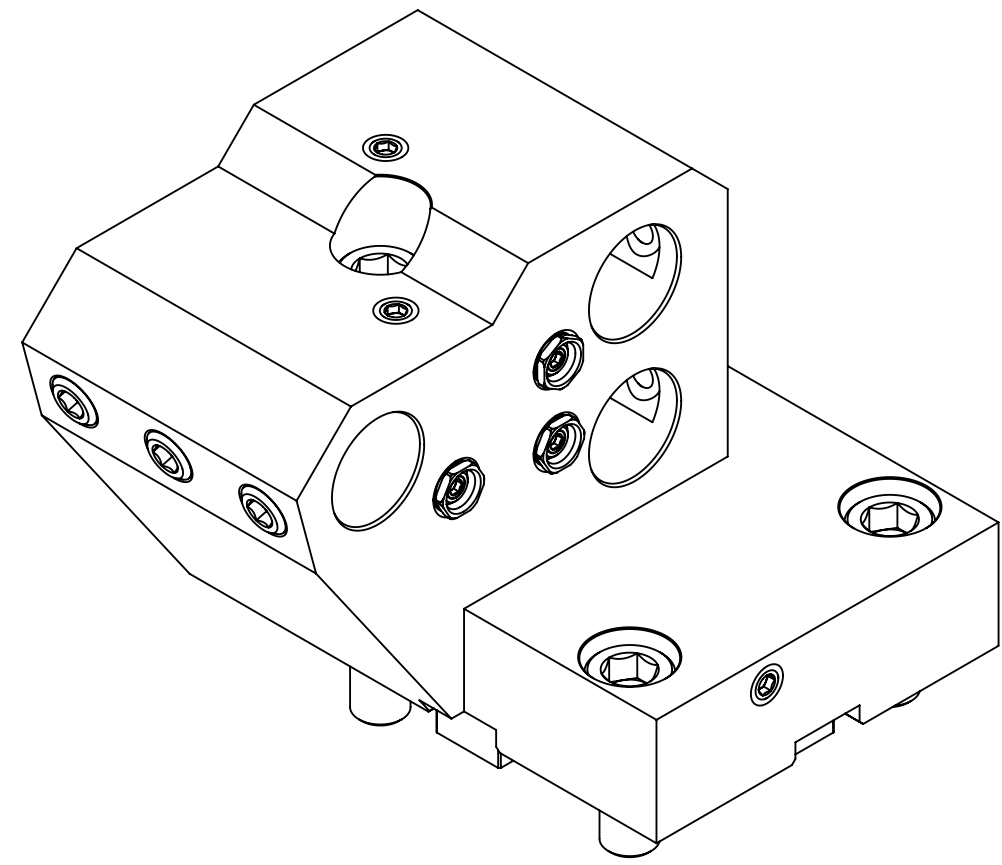


REVISION	DESCRIPTION OF CHANGE	DATE	ECO NUMBER	APPROVED BY
PRE-01	INITIAL DESIGN	5/7/2018	-	



RedLine	DRAWING NUMBER OMW-12085	
	DESCRIPTION BMT65 25MM-25MM ID HBBH HAAS	
PART NUMBER RB65MID2525MMHI		
DRAWN BY	DATE 5/7/2018	DESIGN STATUS PRE-PRODUCTION
PRICE DRAWING NUMBERS	WEIGHT N/A	PROCESS STATE ISO-13399 CONFIGURATION
SCALE 3:4		REV. PRE-01
SIZE C		SHEET 1 of 1