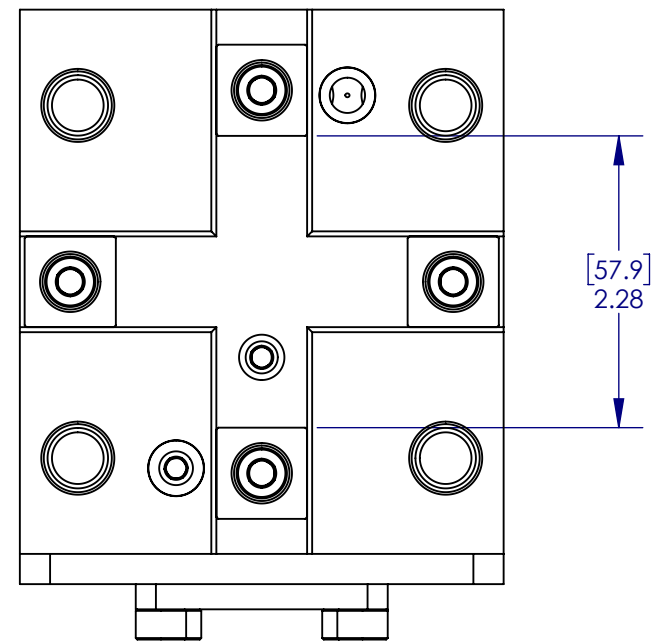
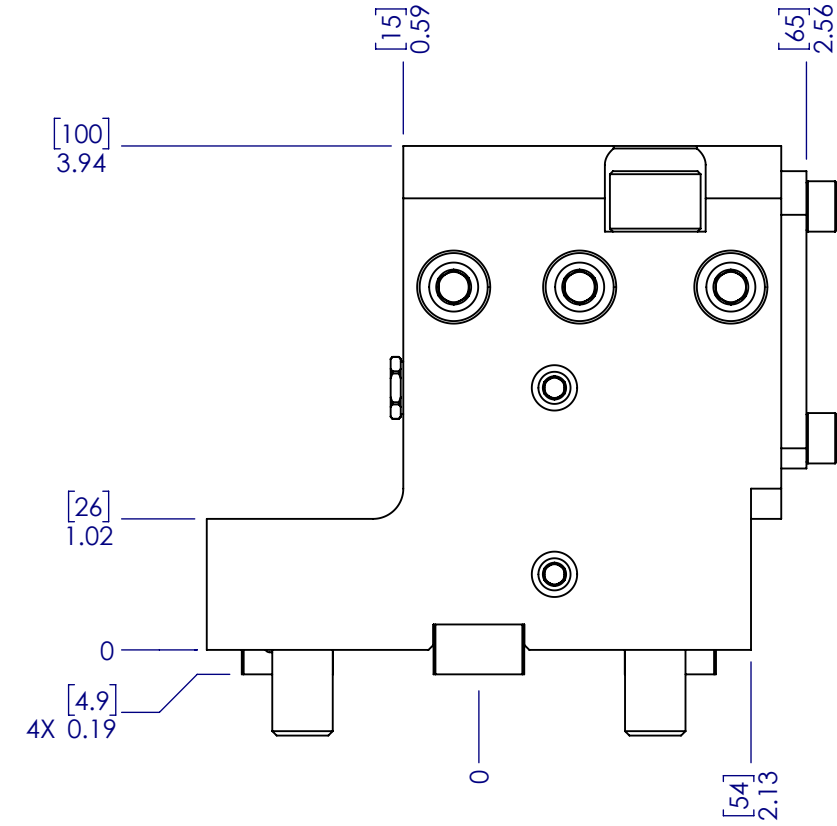
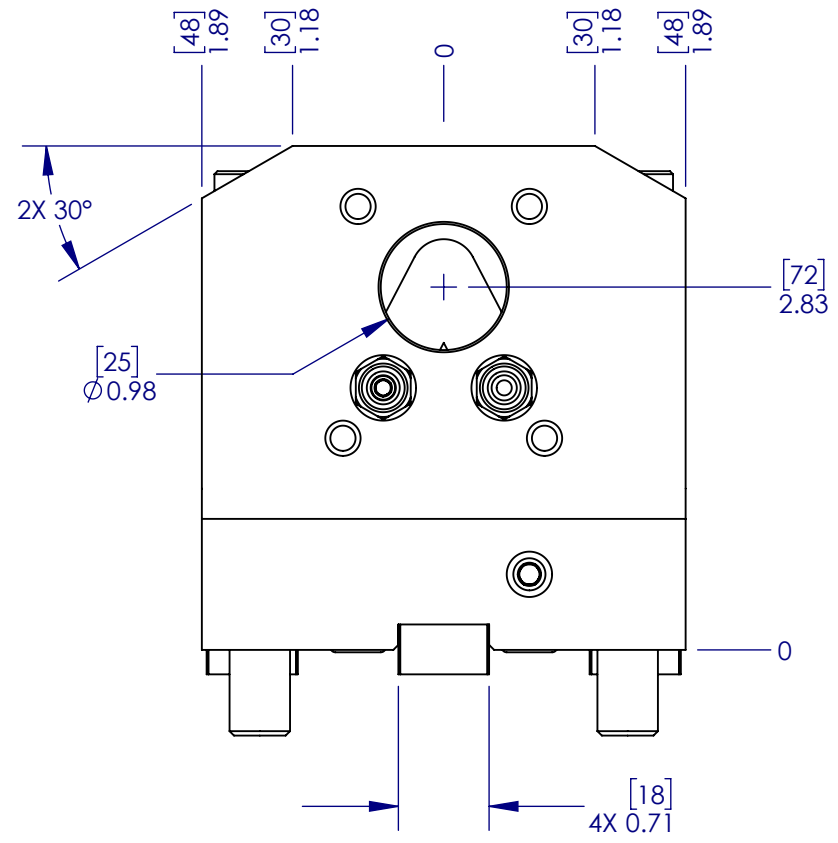
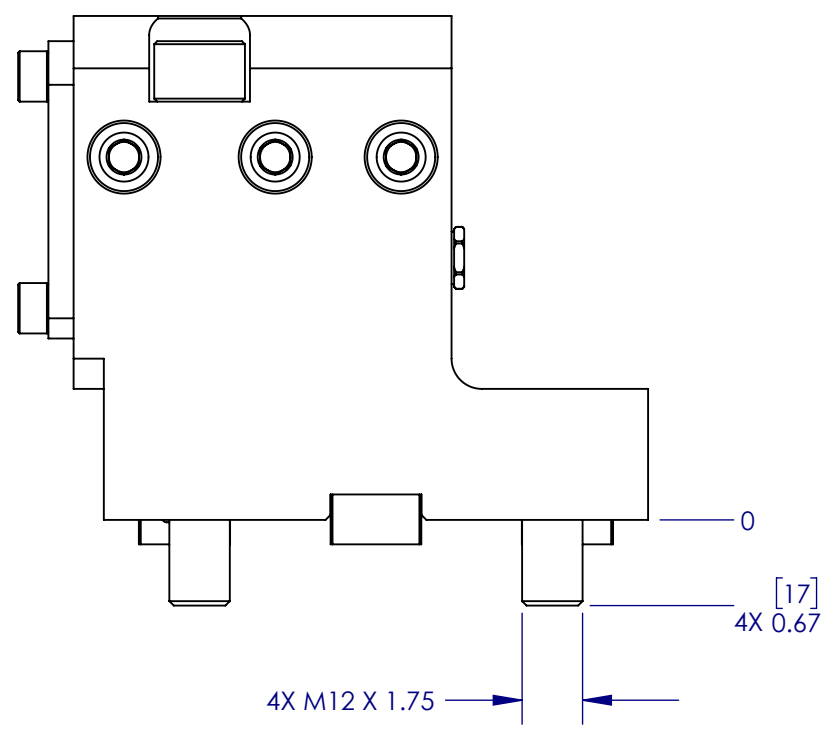
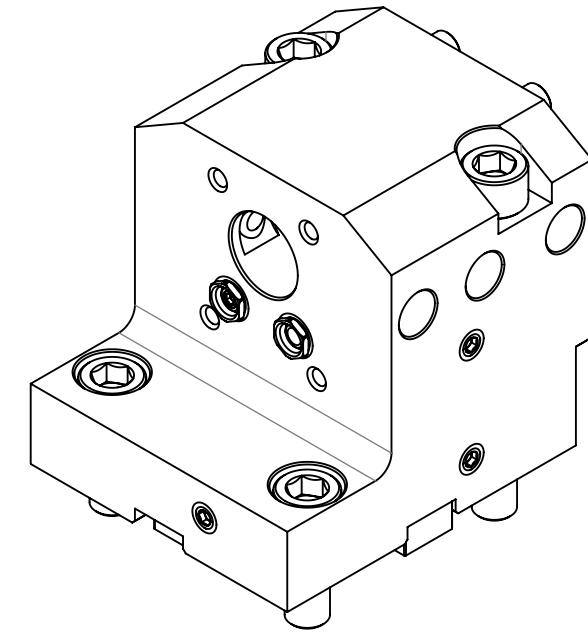
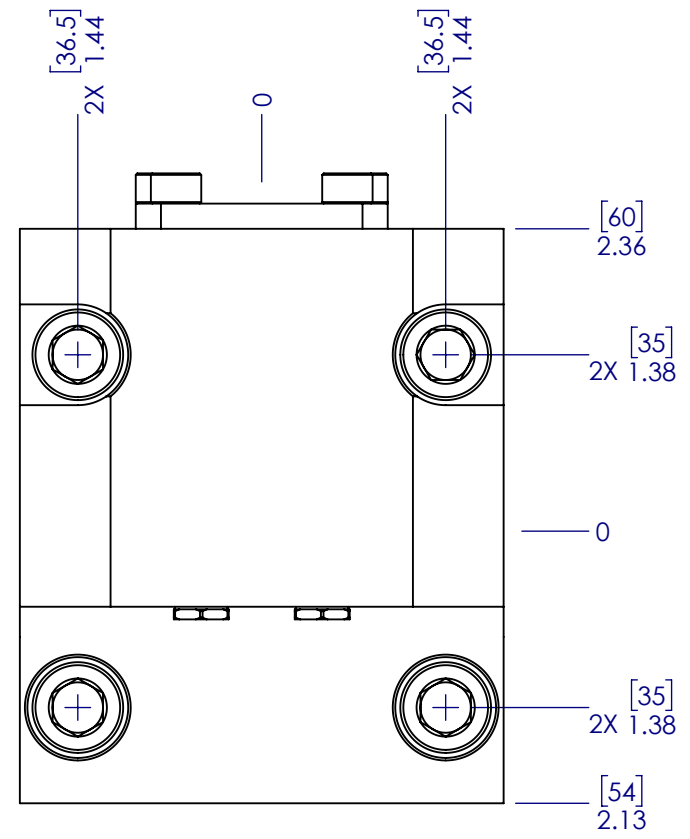
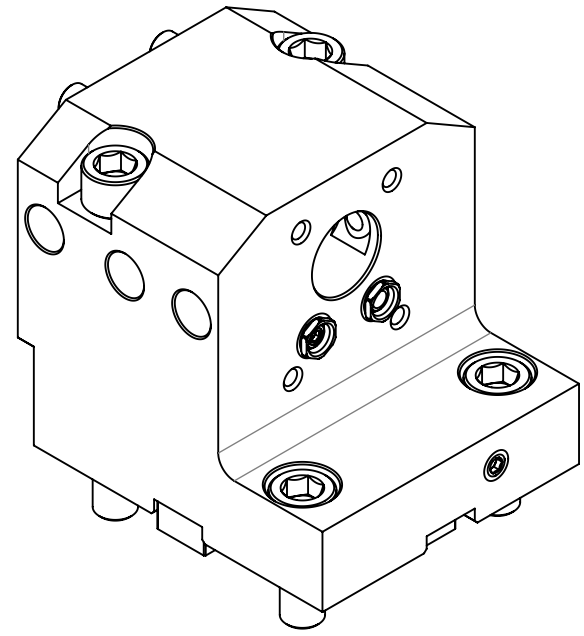


REVISION	DESCRIPTION OF CHANGE	DATE	ECO NUMBER	APPROVED BY
PRE-01	INITIAL DESIGN	05/07/2018	-	



RedLine	DRAWING NUMBER OMW-12084	
	DESCRIPTION BMT65 25MM ID BBH HAAS	
PART NUMBER RB65MID25MM		
DRAWN BY	DATE 05/07/2018	DESIGN STATUS PRE-PRODUCTION
PRIOR DRAWING NUMBERS	WEIGHT N/A	PROCESS STATE ISO-13399 CONFIGURATION
SCALE 2:3		REV. PRE-01
SIZE C		SHEET 1 of 1