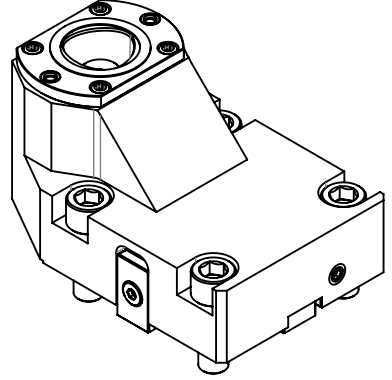
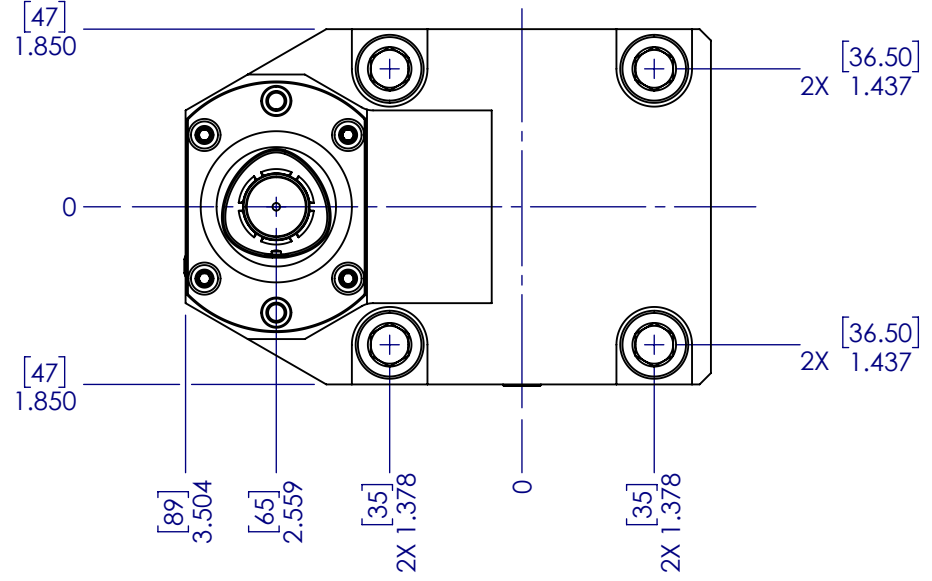
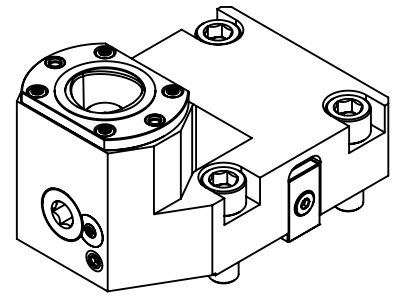
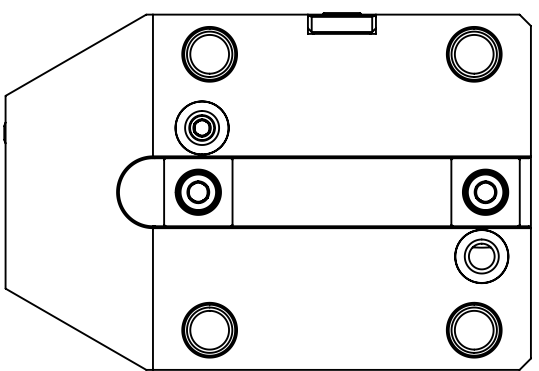
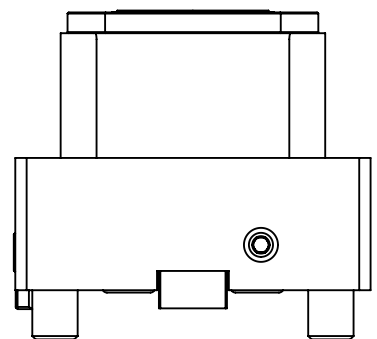
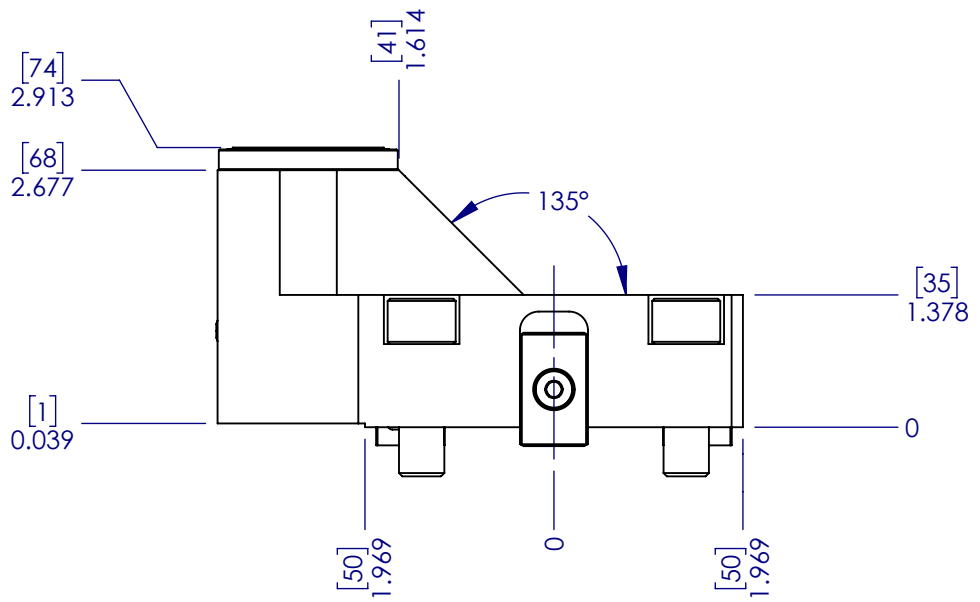
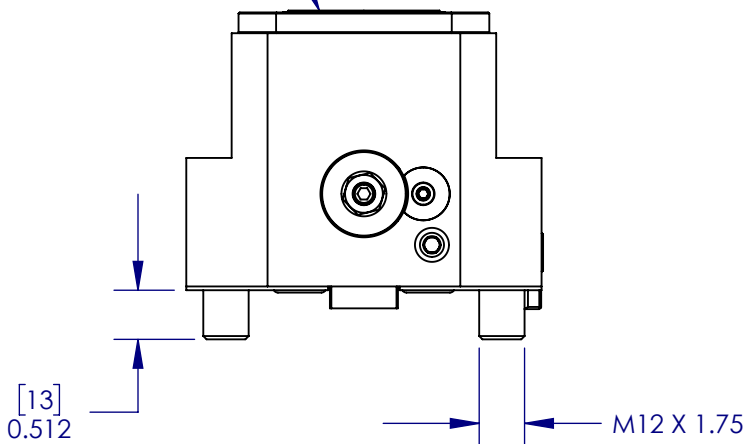


DRAWING NUMBER **OMW-12069**

REVISION	DESCRIPTION OF CHANGE	DATE	ECO NUMBER	APPROVED BY
PRE-01	INITIAL DESIGN	4/9/2018	-	



C4 CLAMPING INSERT



<b>RedLine</b>	DRAWING NUMBER <b>OMW-12069</b>			
	DESCRIPTION <b>BMT65 C4 OD TTH SKT250</b>			
PART NUMBER <b>RB65ODC4S</b>				
DRAWN BY	DATE <b>4/9/2018</b>	DESIGN STATUS <b>PRE-PRODUCTION</b>	REV. <b>PRE-01</b>	
PRIOR DRAWING NUMBERS <b>N/A</b>	WEIGHT <b>N/A</b>	PROCESS STATE <b>FINISHED ASSEMBLY</b>	SCALE <b>1:2</b>	
SIZE <b>B</b>			SHEET <b>1 OF 1</b>	