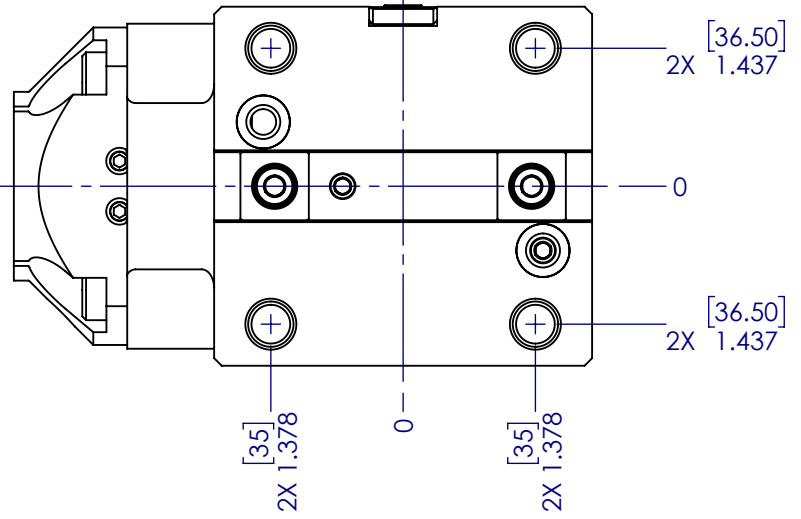
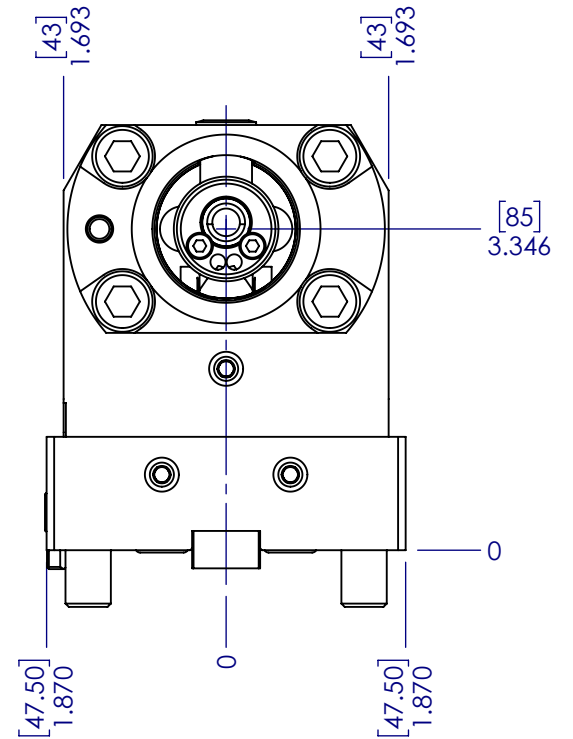
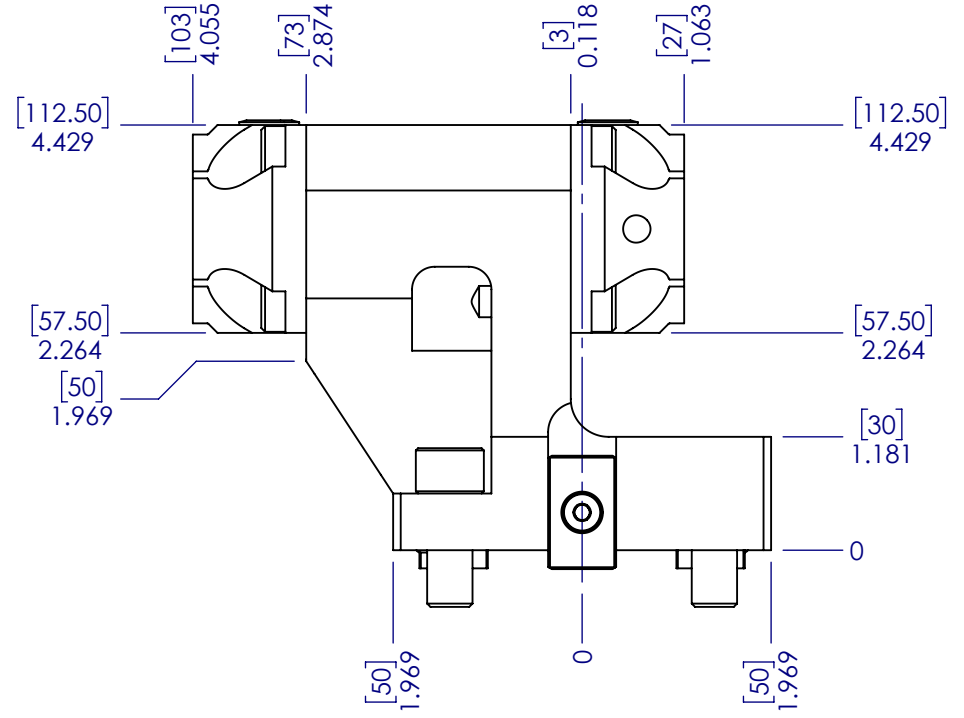
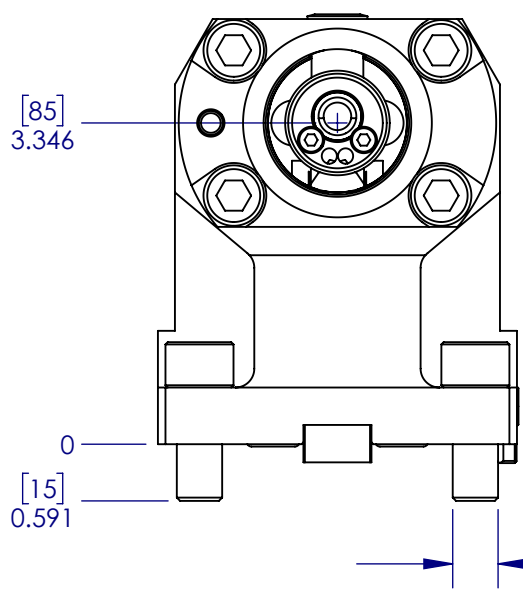
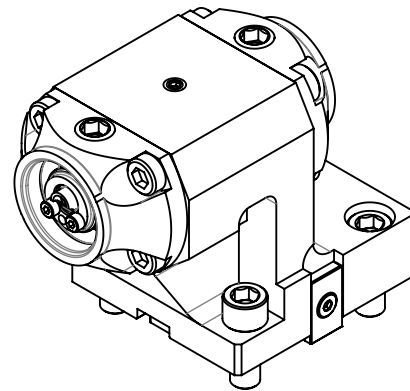
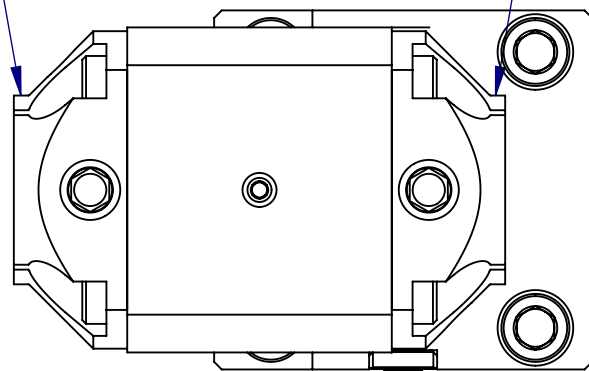


DRAWING NUMBER **OMW-12066**

REVISION	DESCRIPTION OF CHANGE	DATE	ECO NUMBER	APPROVED BY
PRE-01	INITIAL DESIGN	4/4/2018	-	

KM50 CLAMPING INSERT KM50 CLAMPING INSERT



RedLine	DRAWING NUMBER OMW-12066		
	DESCRIPTION BMT65 KM50 BBH SKT250		
PART NUMBER RB65IDKM50D			
DRAWN BY	DATE 4/4/2018	DESIGN STATUS PRE-PRODUCTION	REV. PRE-01
PRIOR DRAWING NUMBERS N/A	WEIGHT N/A	PROCESS STATE FINISHED ASSEMBLY	SCALE 1:2
SIZE B			SHEET 1 OF 1