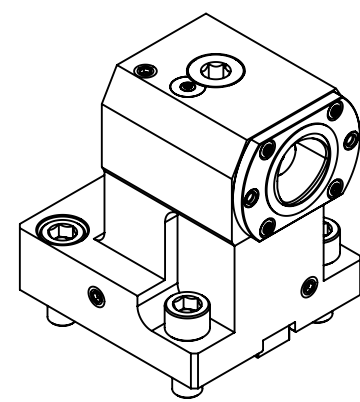
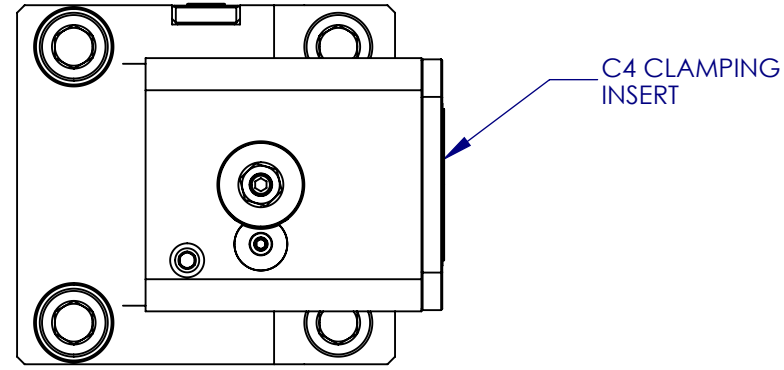
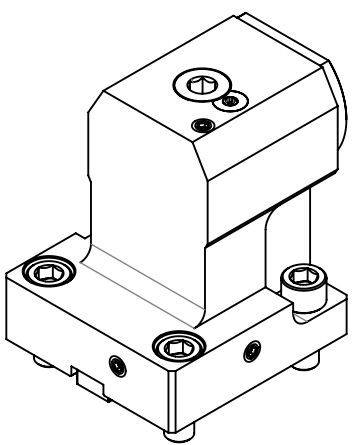


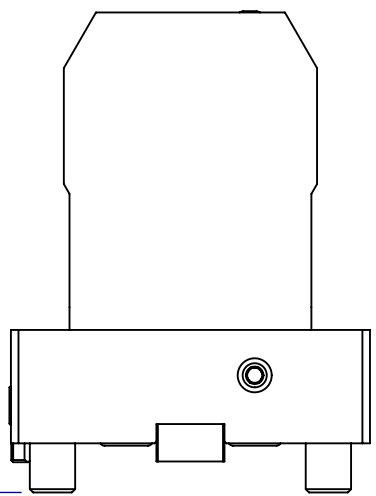
DRAWING NUMBER **OMW-12063**

REVISION	DESCRIPTION OF CHANGE	DATE	ECO NUMBER	APPROVED BY
PRE-01	INITIAL DESIGN	4/3/2018	-	



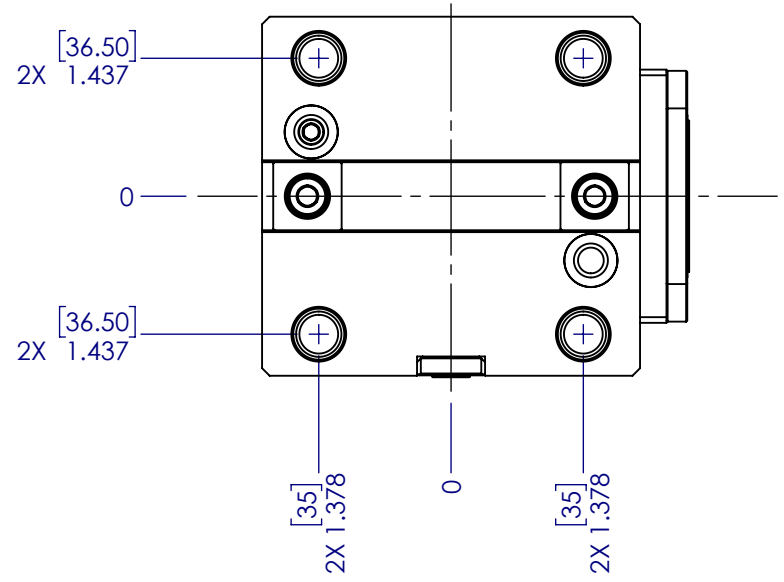
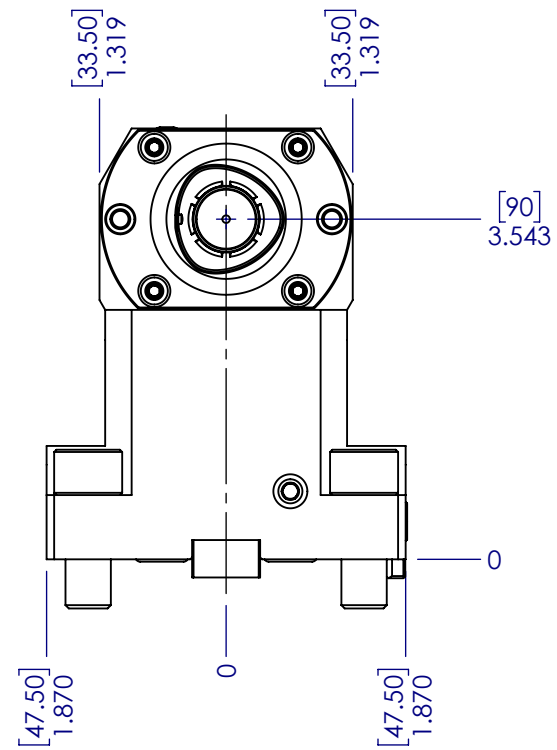
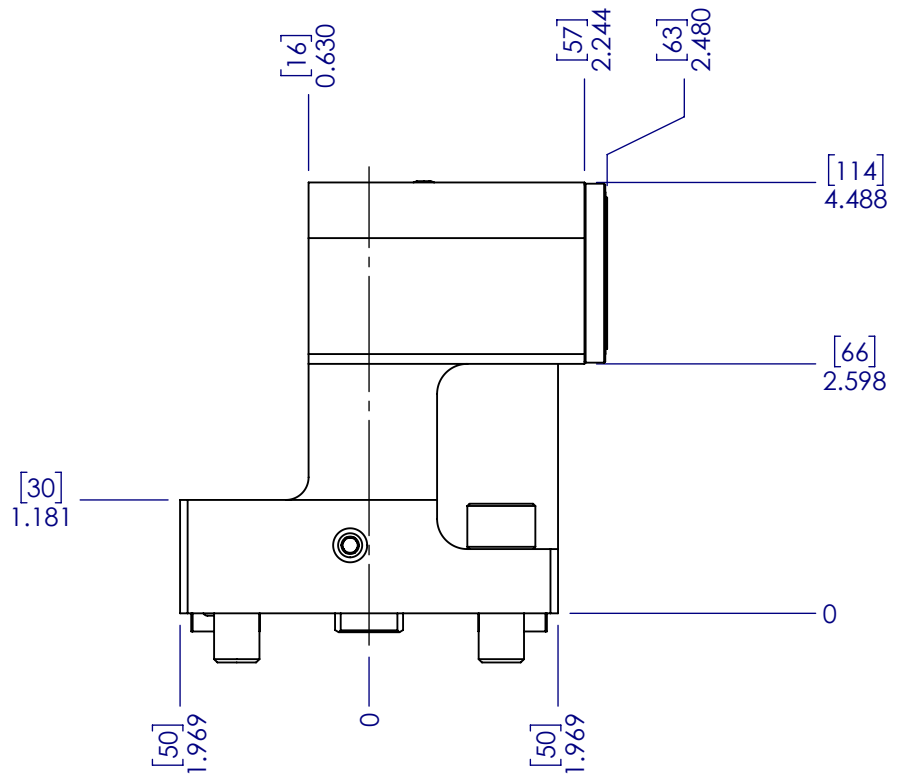
D  
C  
B  
A

D  
C  
B  
A



[13] 0.512  
4 PLACES

M12 X 1.75  
4 PLACES



<b>RedLine</b>	DRAWING NUMBER <b>OMW-12063</b>		
	DESCRIPTION <b>BMT65 C4 ID BBH HAAS</b>		
PART NUMBER <b>RB65IDC4S</b>			
DRAWN BY	DATE <b>4/3/2018</b>	DESIGN STATUS <b>PRE-PRODUCTION</b>	REV. <b>PRE-01</b>
PRIOR DRAWING NUMBERS <b>N/A</b>	WEIGHT <b>10.80 LBS.</b>	PROCESS STATE <b>FINISHED ASSEMBLY</b>	SCALE <b>1:2</b>
SIZE <b>B</b>			SHEET <b>1 OF 1</b>