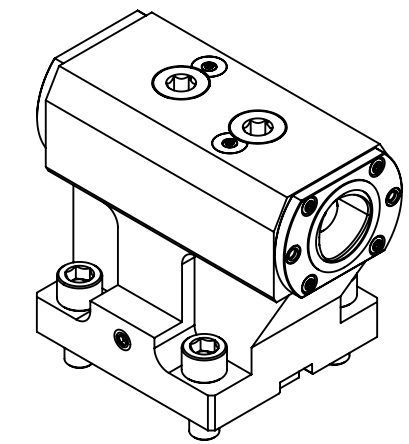
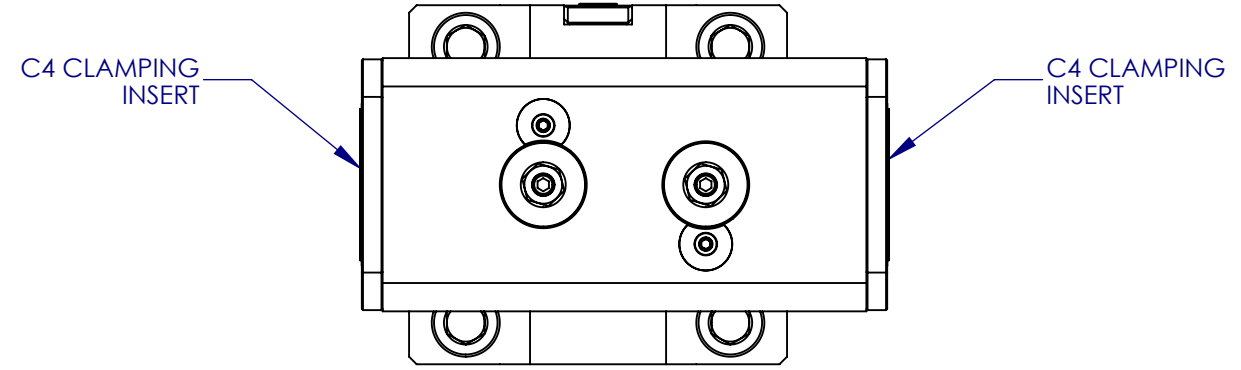
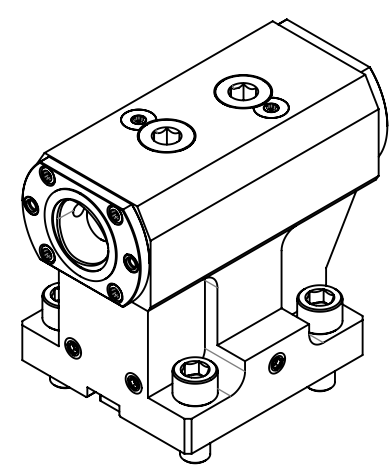


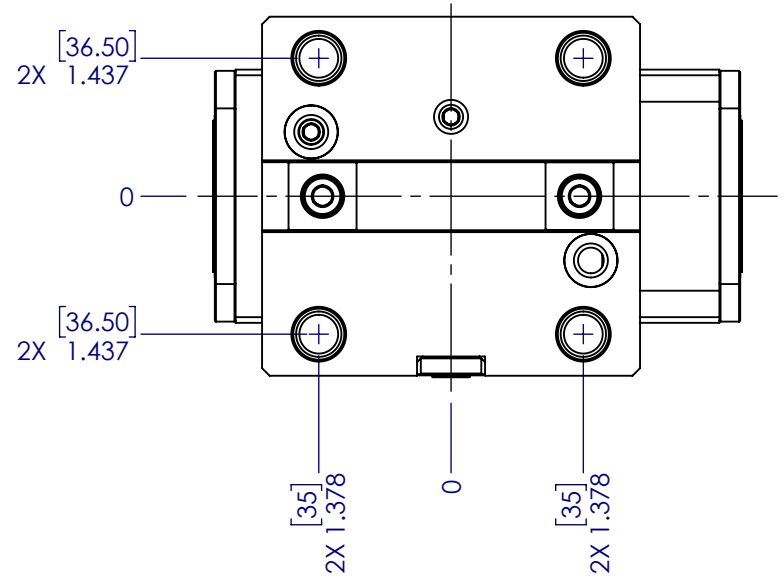
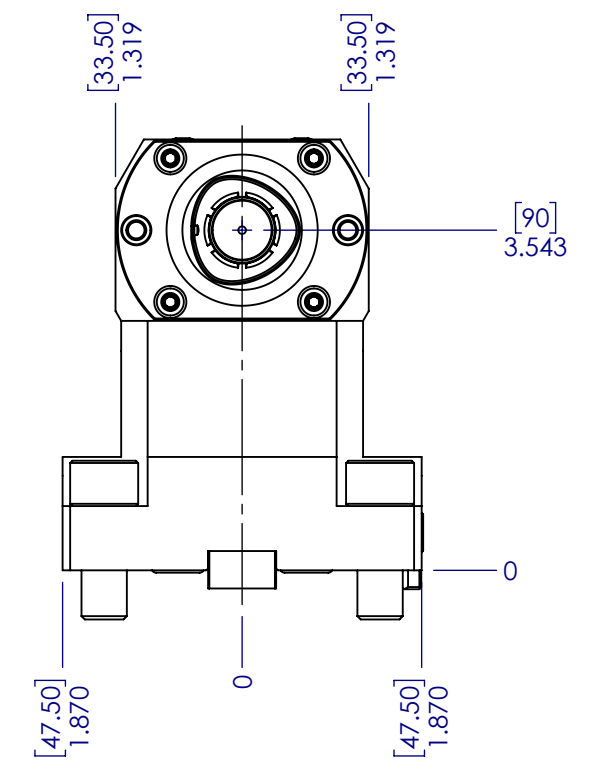
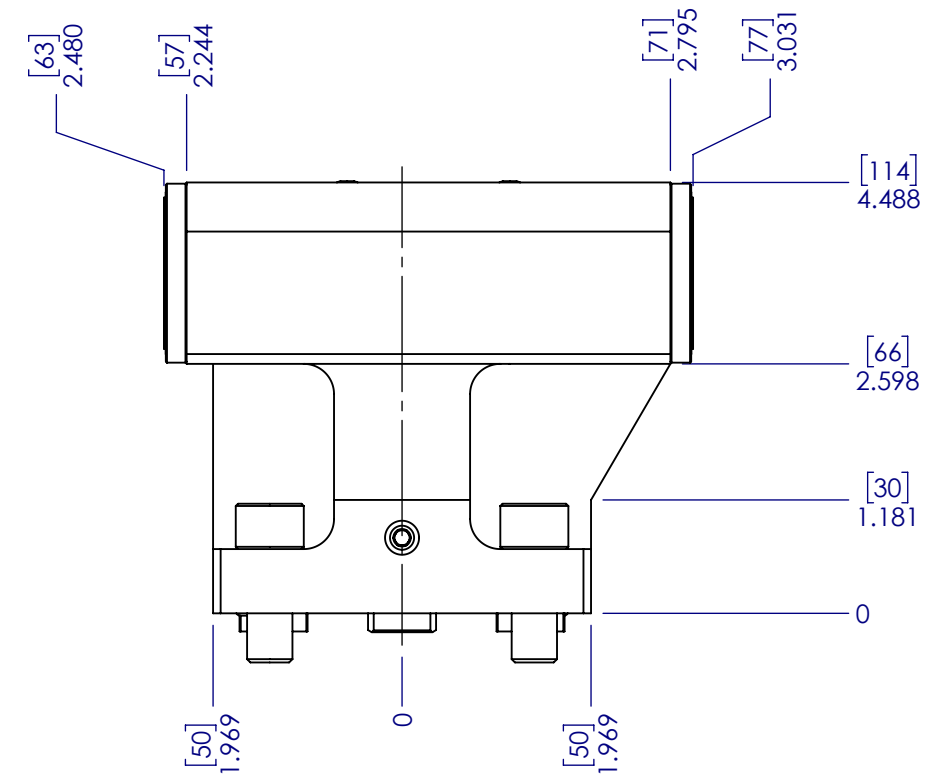
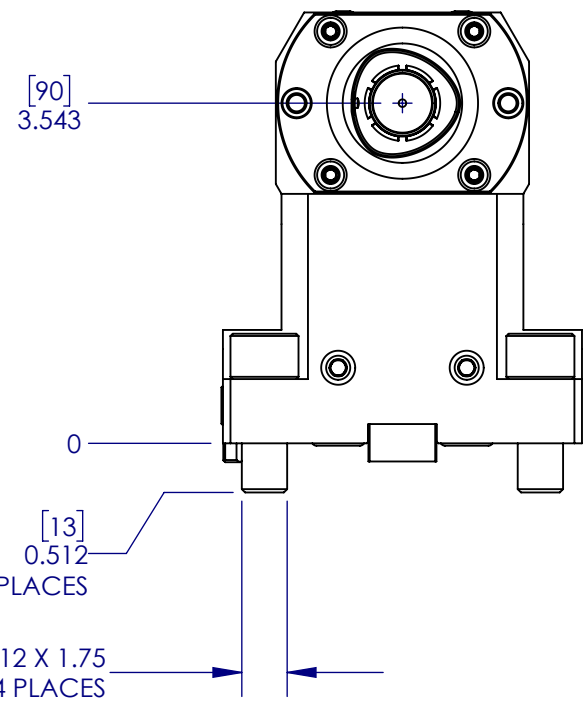
DRAWING NUMBER
OMW-12057

REVISION	DESCRIPTION OF CHANGE	DATE	ECO NUMBER	APPROVED BY
PRE-01	INITIAL DESIGN	3/26/2018	-	



D
C
B
A

D
C
B
A



RedLine	DRAWING NUMBER OMW-12057		
	DESCRIPTION BMT65 C4 ID DBBH HAAS		
PART NUMBER RB65IDC4D			
DRAWN BY	DATE 3/26/2018	DESIGN STATUS PRE-PRODUCTION	REV. PRE-01
PRIOR DRAWING NUMBERS N/A	WEIGHT 14.64 LBS.	PROCESS STATE FINISHED ASSEMBLY	SCALE 1:2
SIZE B			SHEET 1 OF 1