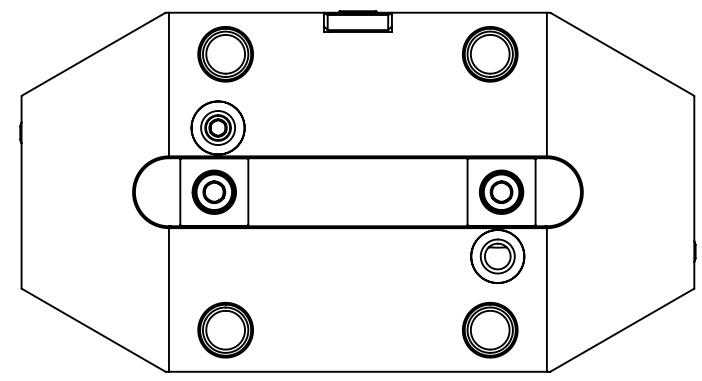
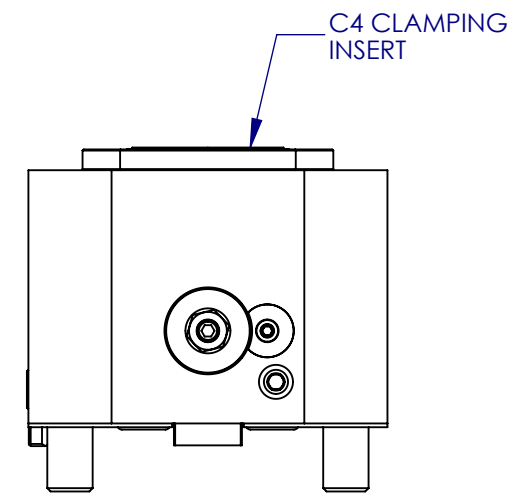
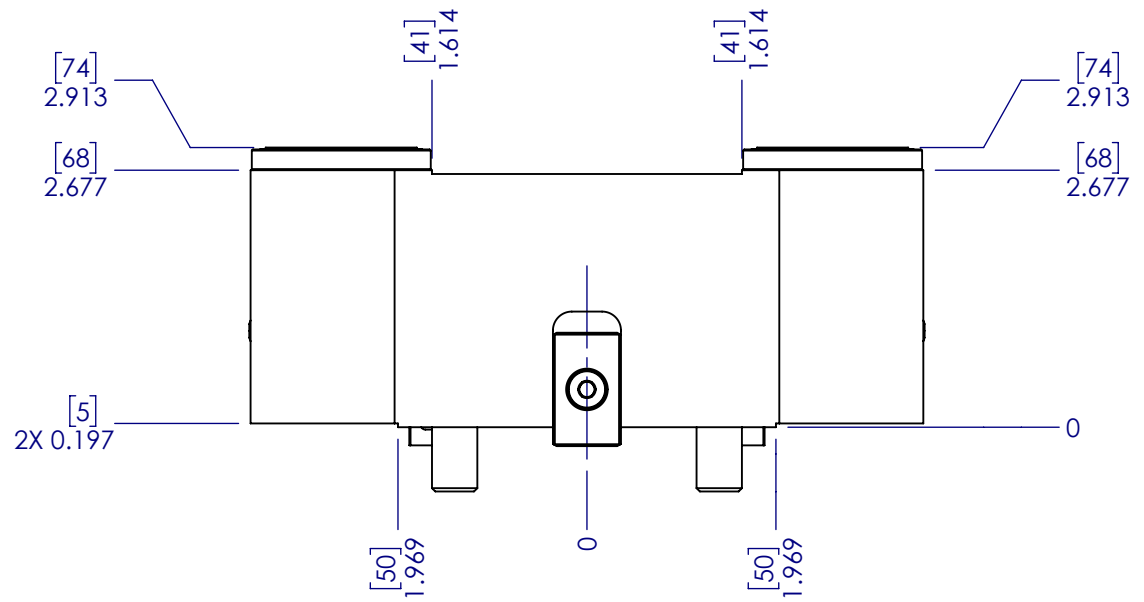
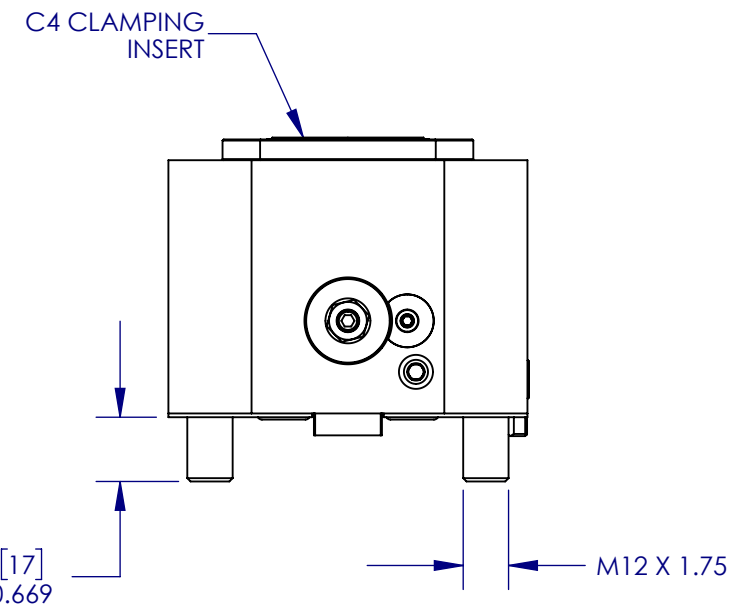
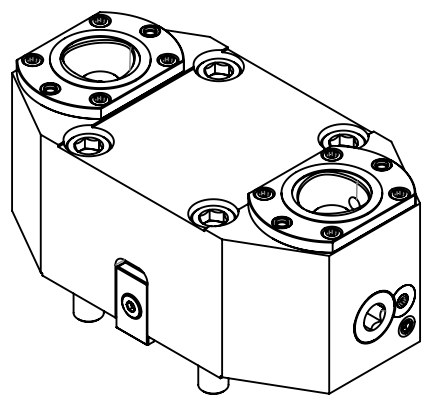
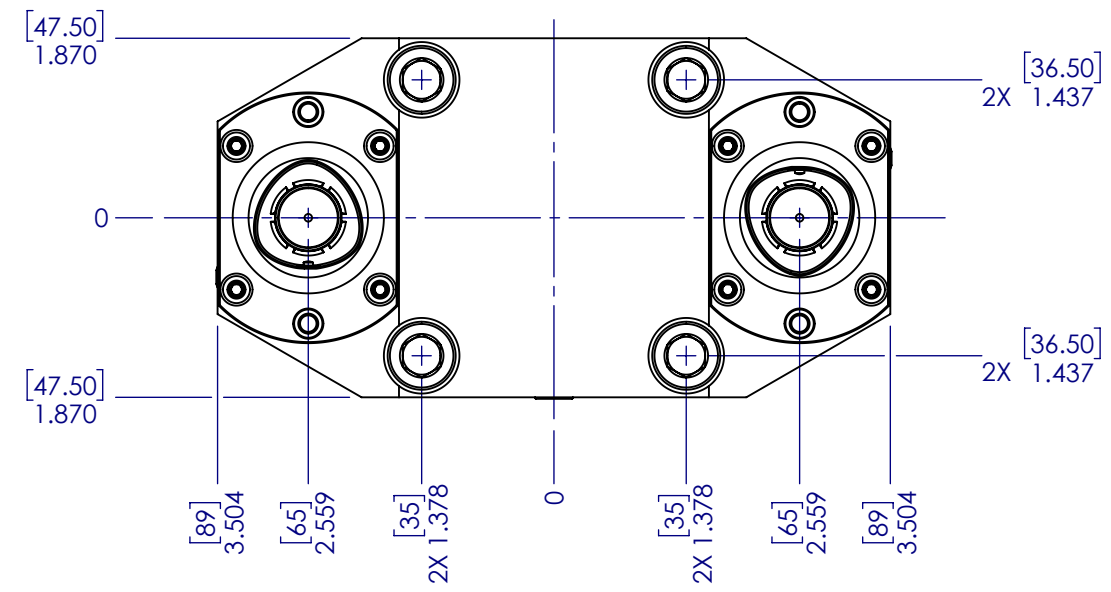
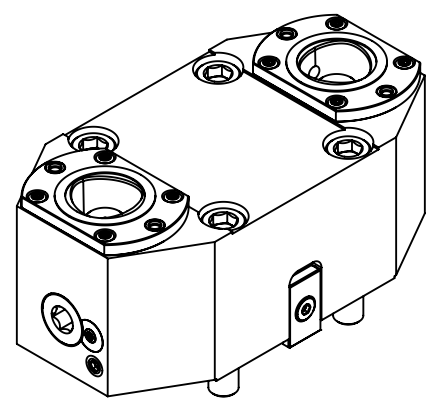


DRAWING NUMBER **OMW-12056**

REVISION	DESCRIPTION OF CHANGE	DATE	ECO NUMBER	APPROVED BY
PRE-01	INITIAL DESIGN	3/22/2018	-	



RedLine	DRAWING NUMBER OMW-12056		
	DESCRIPTION BMT65 C4 OD DTH HAAS		
PART NUMBER RB65ODC4D			
DRAWN BY	DATE 3/26/2018	DESIGN STATUS PRE-PRODUCTION	REV. PRE-01
PRIOR DRAWING NUMBERS N/A	WEIGHT N/A	PROCESS STATE FINISHED ASSEMBLY	SCALE 1:2
SIZE B			SHEET 1 OF 1