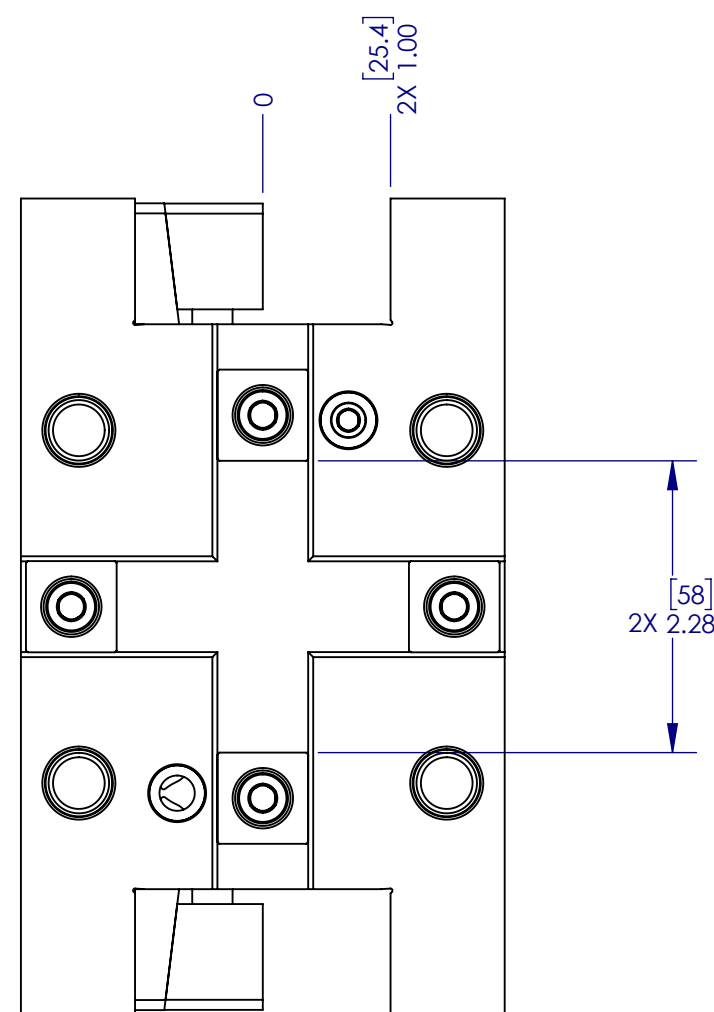
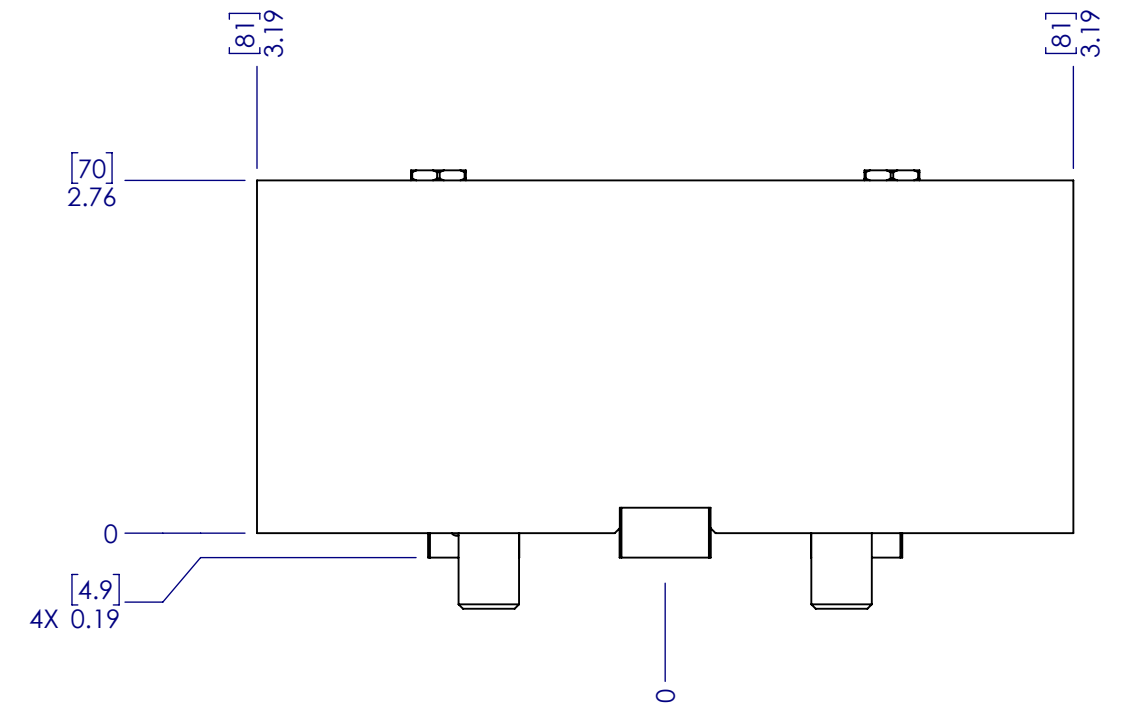
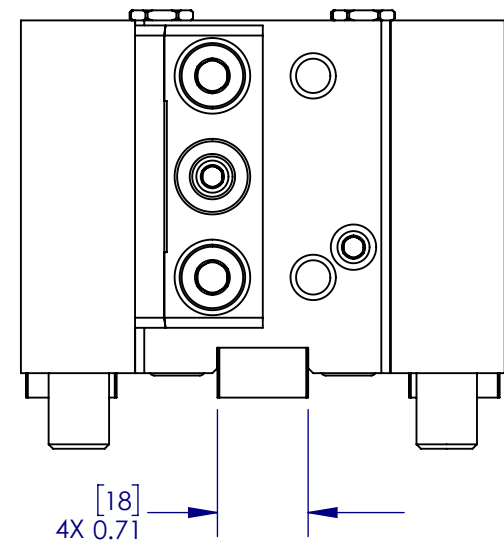
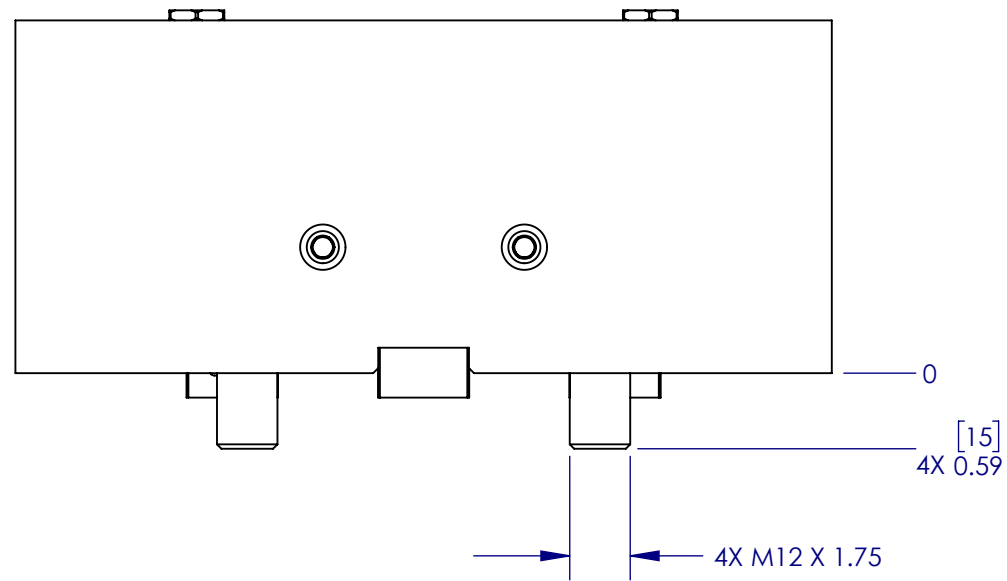
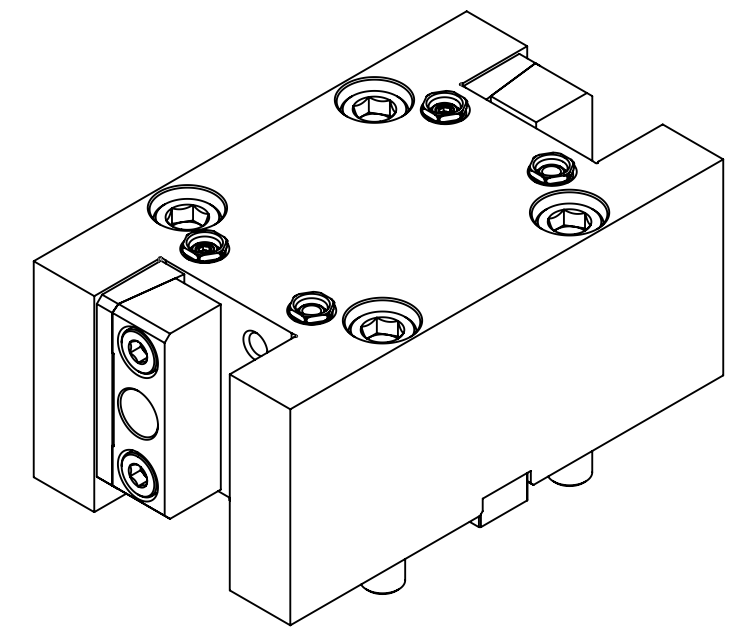
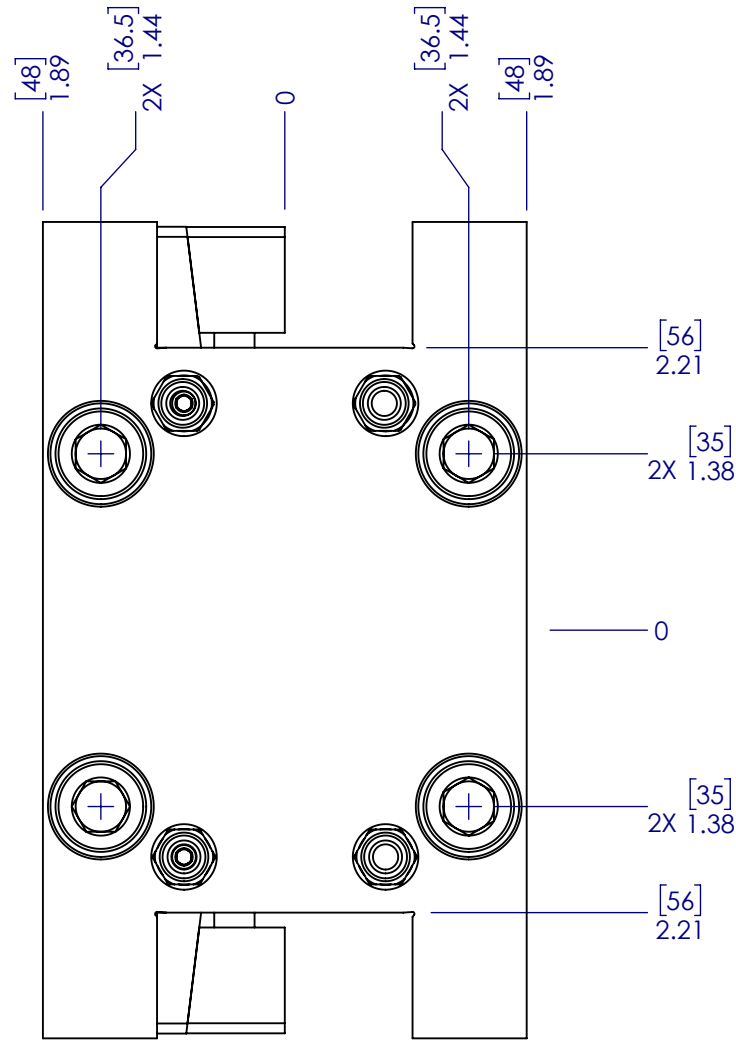
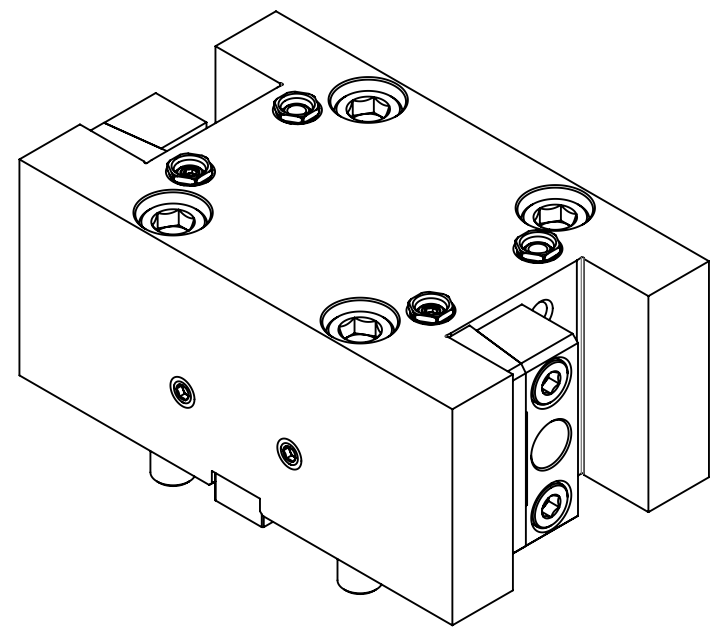


REVISION	DESCRIPTION OF CHANGE	DATE	ECO NUMBER	APPROVED BY
PRE-01	INITIAL DESIGN	02/22/2018	-	



RedLine	DRAWING NUMBER OMW-12040	
	DESCRIPTION BMT65 1.000 OD DTH HAAS	
	PART NUMBER RB65OD100DS	
DRAWN BY	DATE 02/22/2018	DESIGN STATUS PRE-PRODUCTION
PRIOR DRAWING NUMBERS	WEIGHT N/A	PROCESS STATE FINISHED ASSEMBLY
		SCALE 2:3
		SIZE C
		SHEET 1 of 1