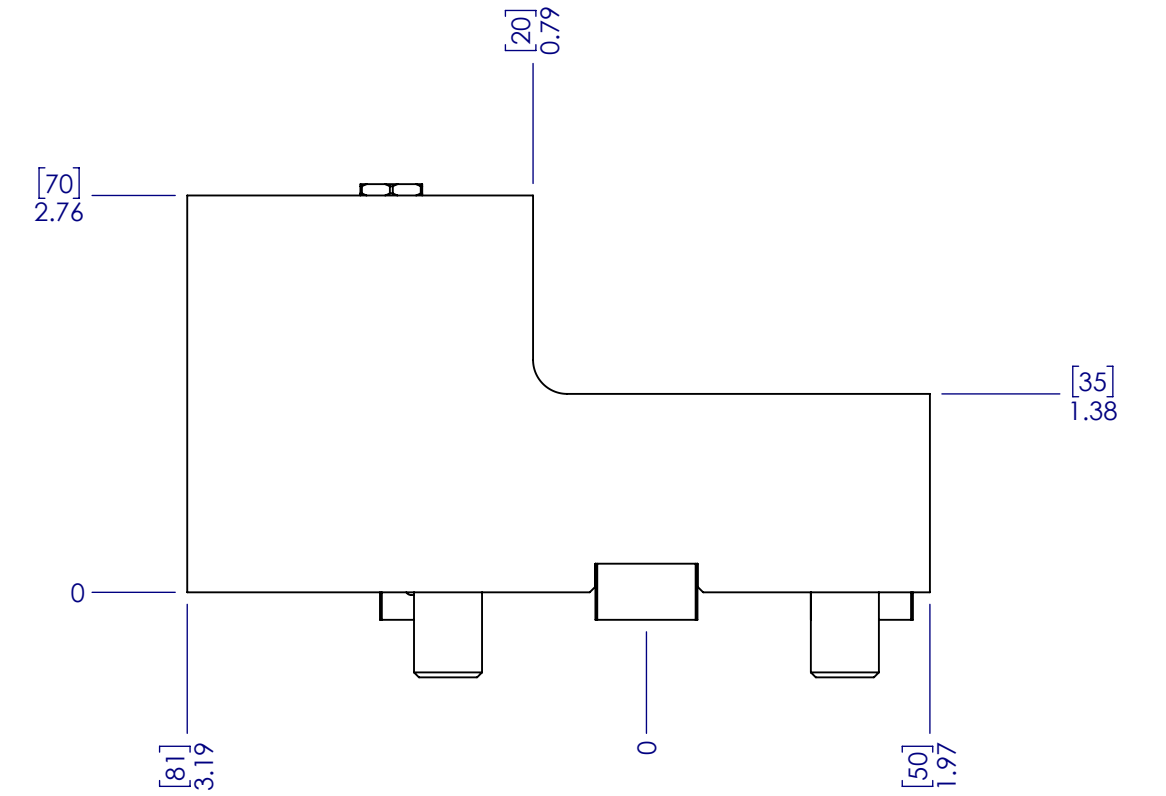
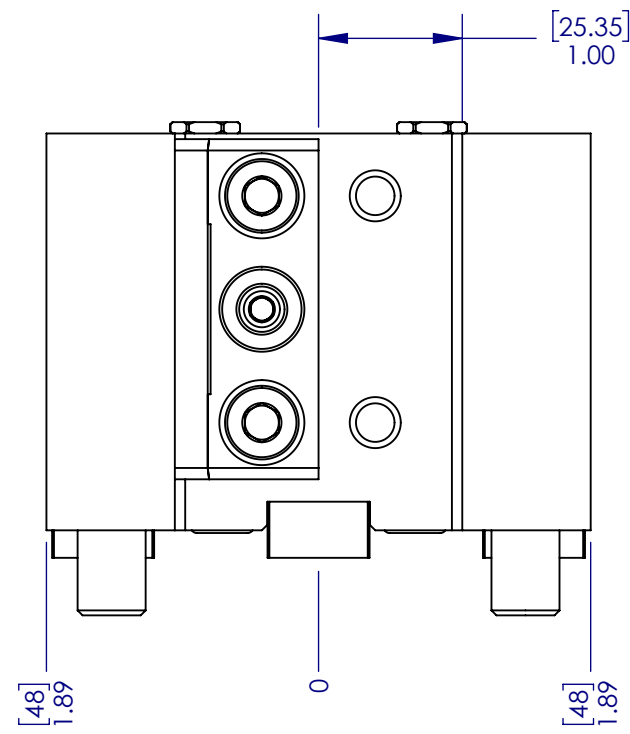
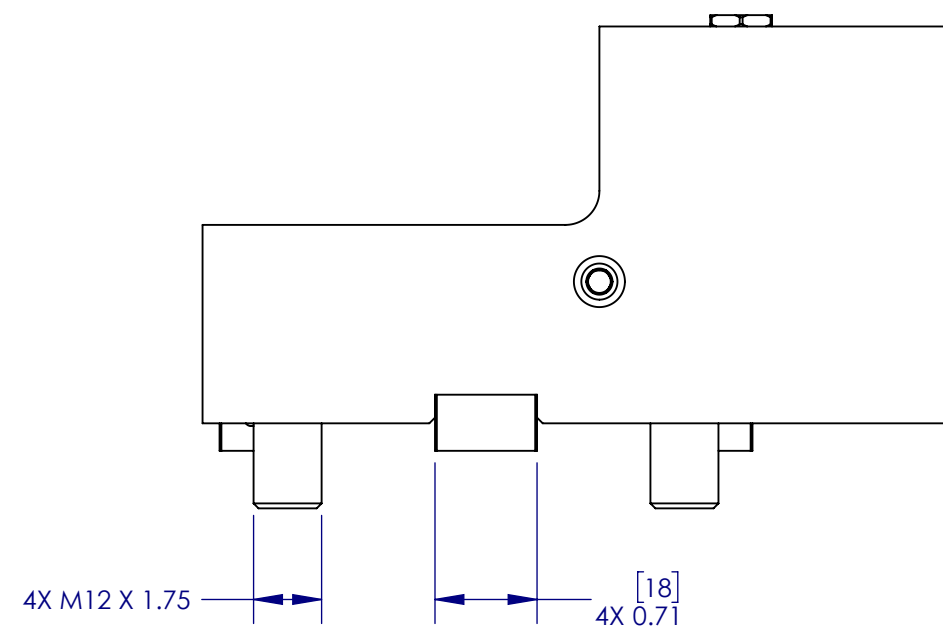
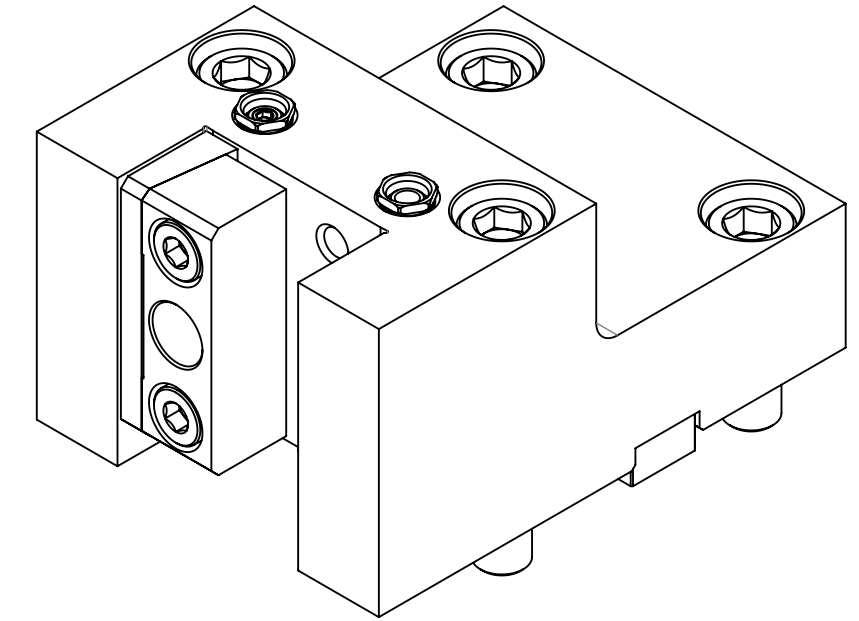
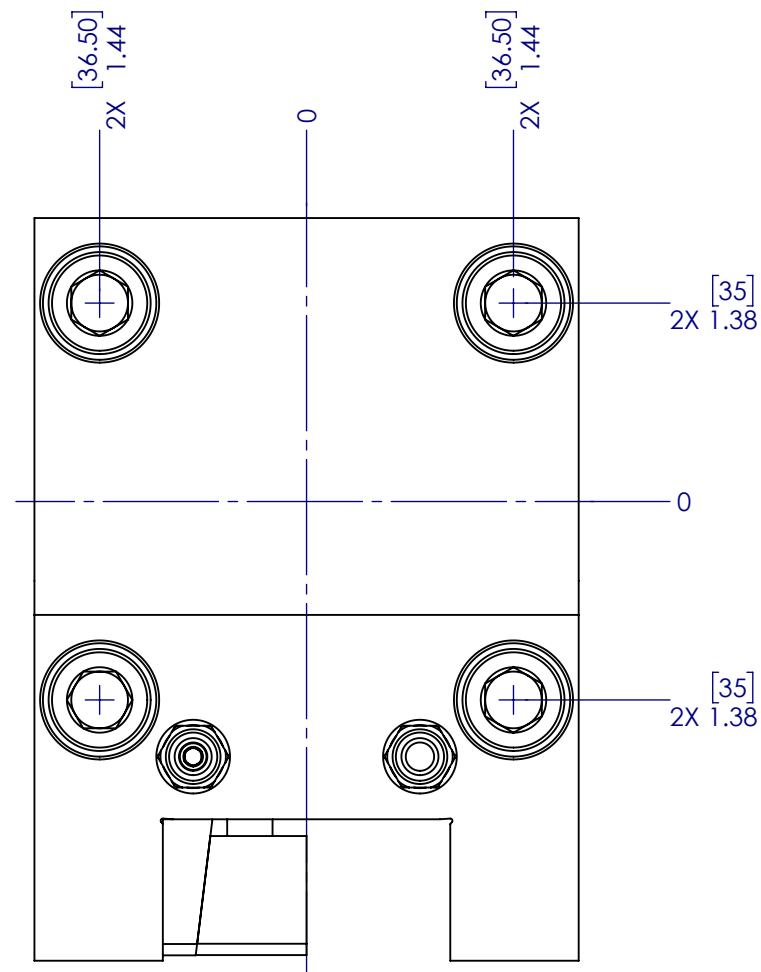
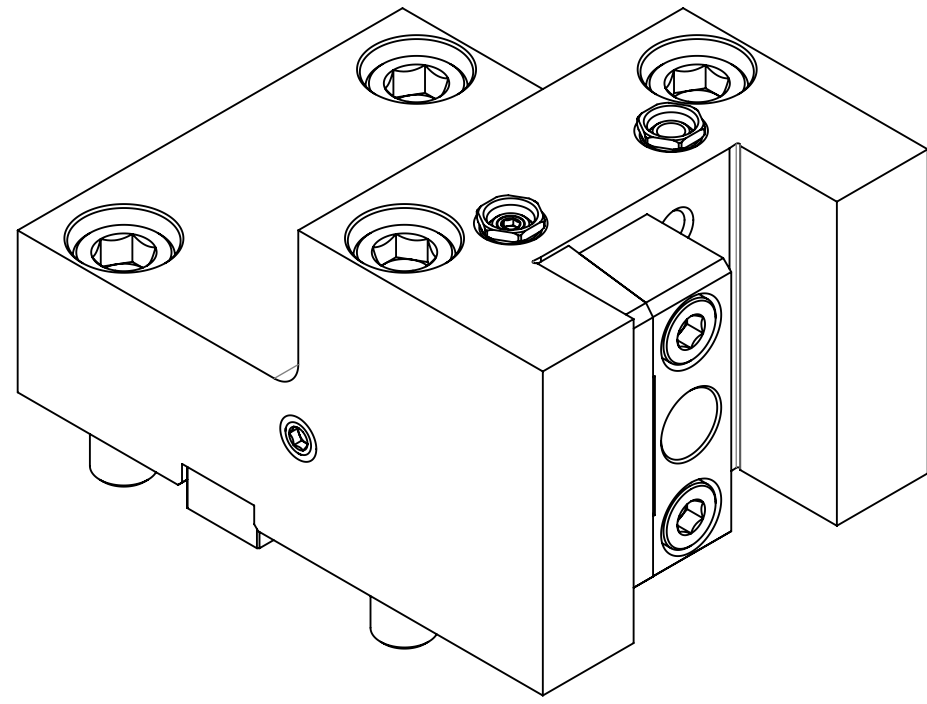


DRAWING NUMBER  
**OMW-11650**

REVISION	DESCRIPTION OF CHANGE	DATE	ECO NUMBER	APPROVED BY
PRE-01	INITIAL DESIGN	11/7/2017	-	



<b>RedLine</b>	DRAWING NUMBER	<b>OMW-11650</b>		
	DESCRIPTION	<b>BMT65 1.000 OD TTH HAAS</b>		
	PART NUMBER	<b>RB65OD100</b>		
DRAWN BY	DATE	DESIGN STATUS	REV.	
	11/7/2017	PRE-PRODUCTION	PRE-01	
PRICE DRAWING NUMBERS	WEIGHT	PROCESS STATE	SCALE	
N/A	9.93 LBS.	FINISHED ASSEMBLY	3:4	
	SIZE	SHEET		
	<b>C</b>	<b>1 of 1</b>		