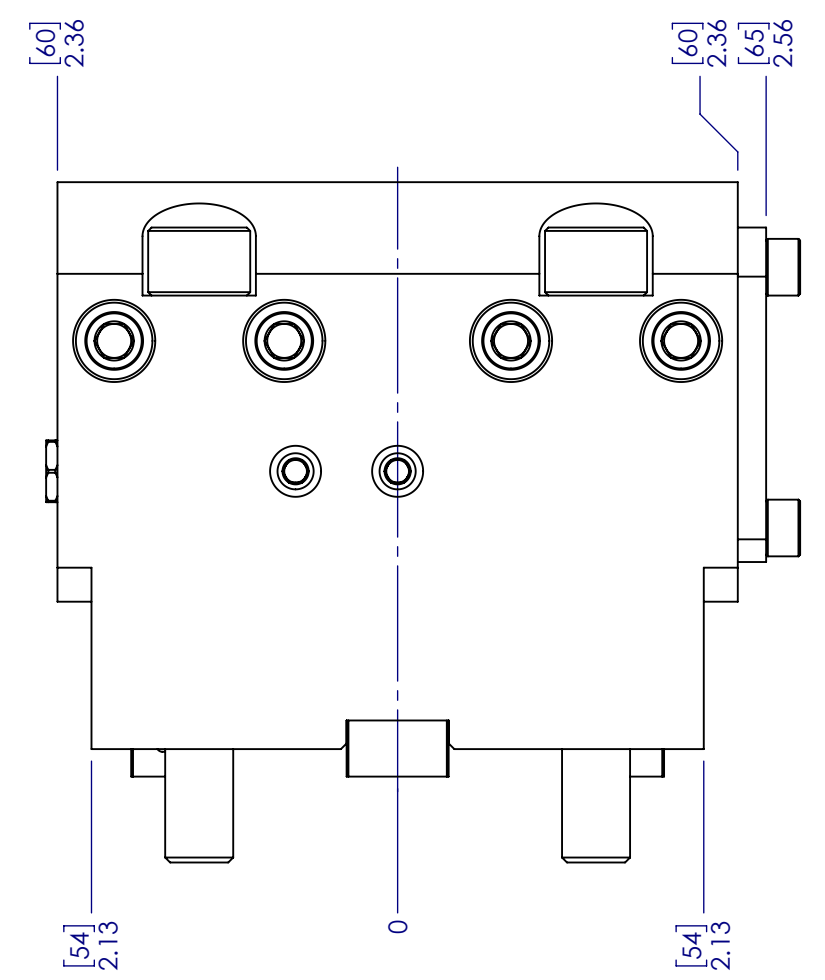
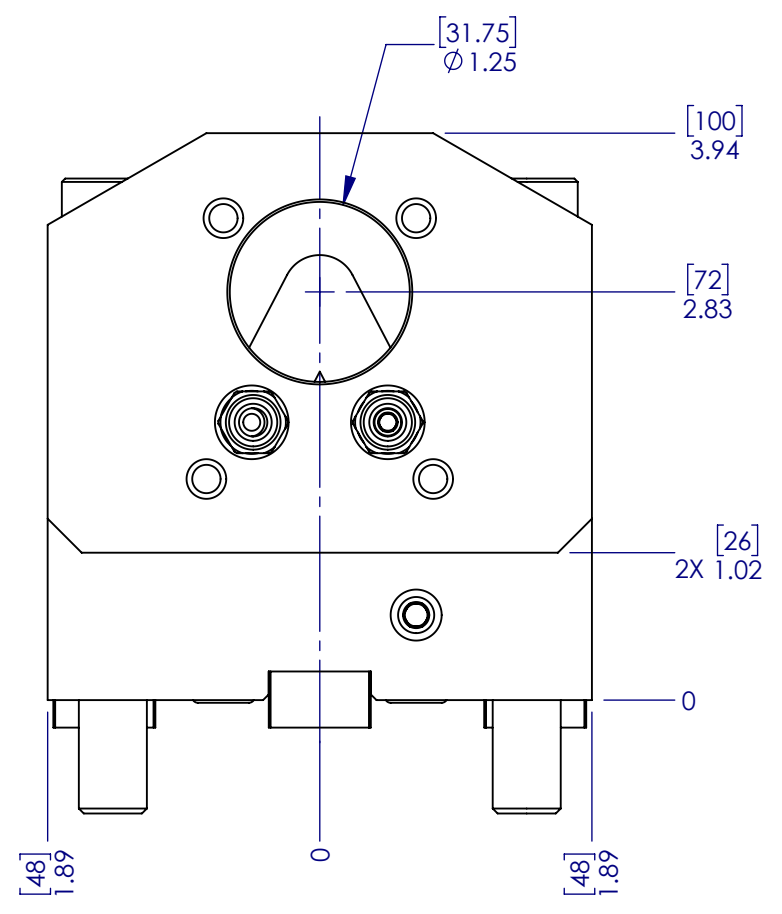
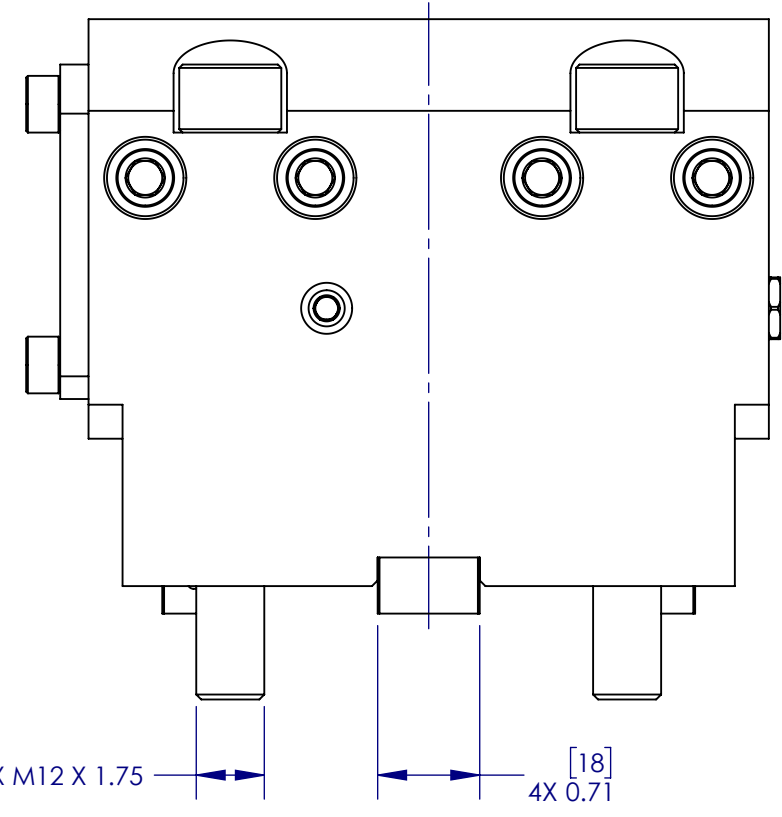
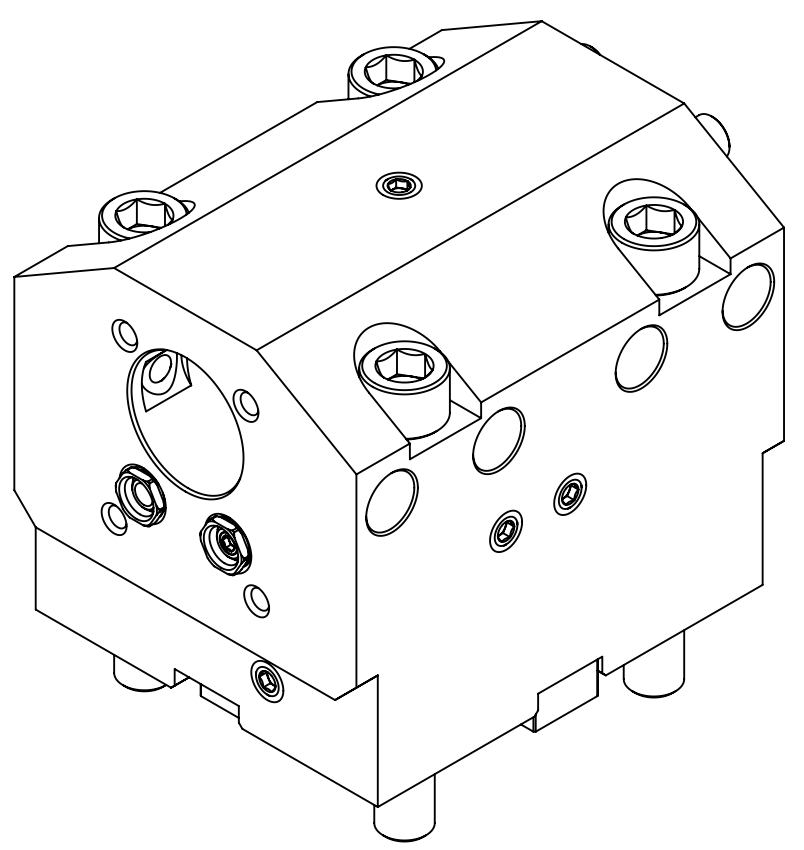
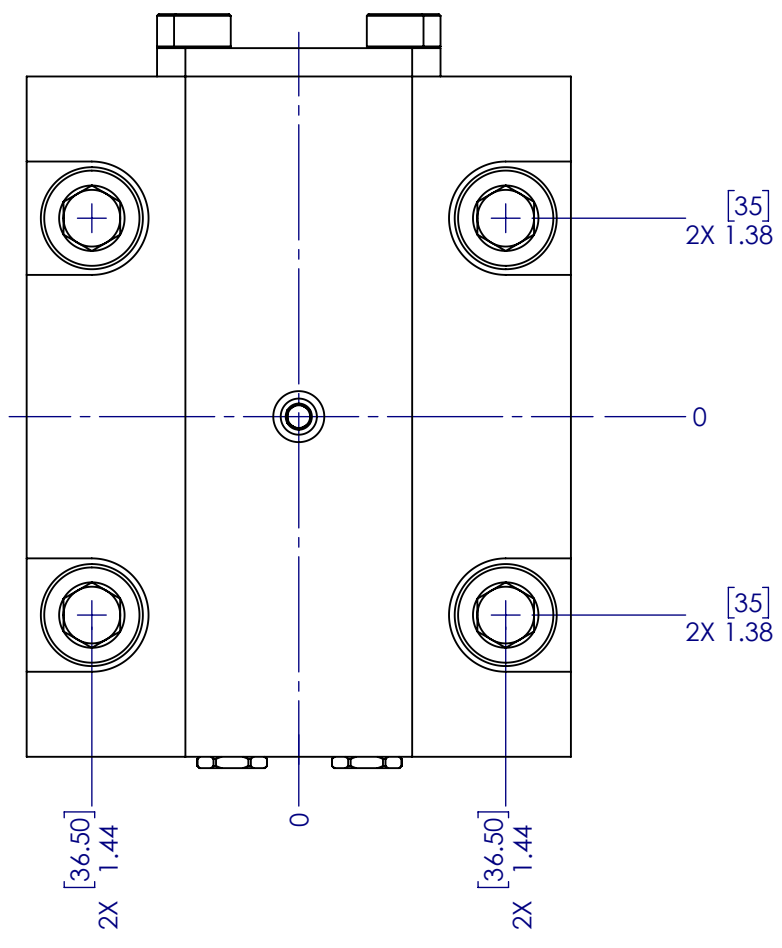
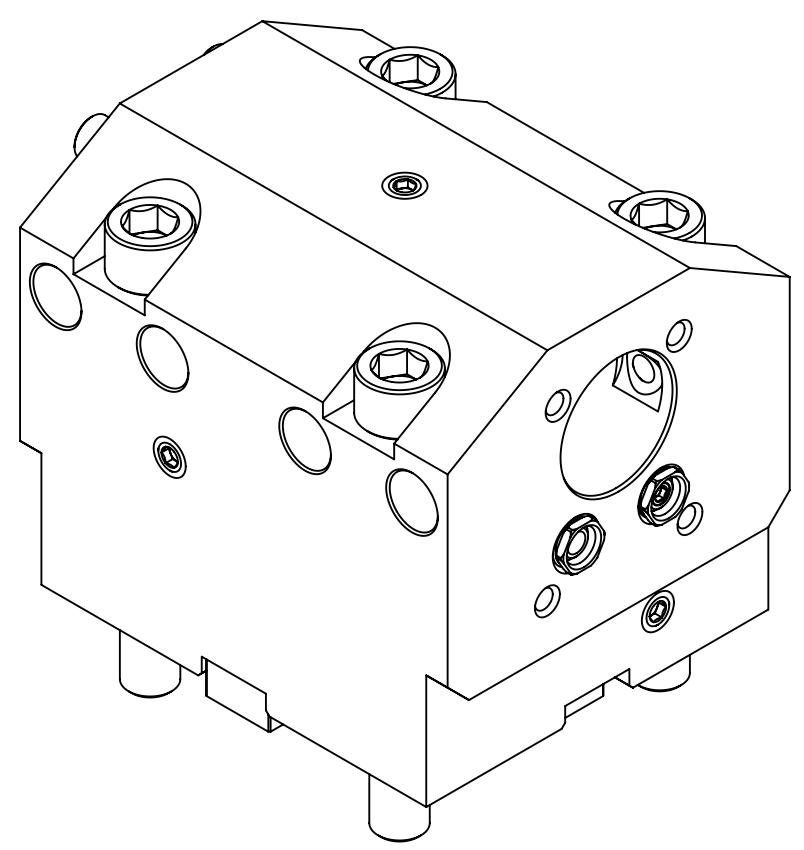


DRAWING NUMBER
OMW-11649

REVISION	DESCRIPTION OF CHANGE	DATE	ECO NUMBER	APPROVED BY
PRE-01	INITIAL DESIGN	11/3/2017	-	



RedLine	DRAWING NUMBER OMW-11649	
	DESCRIPTION BMT65 1.250 ID DBBH HAAS	
PART NUMBER RB65ID125DS		
DRAWN BY	DATE 11/3/2017	DESIGN STATUS PRE-PRODUCTION
PRICE DRAWING NUMBERS N/A	WEIGHT 16.56 LBS.	PROCESS STATE FINISHED ASSEMBLY
SCALE 3:4		REV. PRE-01
SIZE C		SHEET 1 of 1