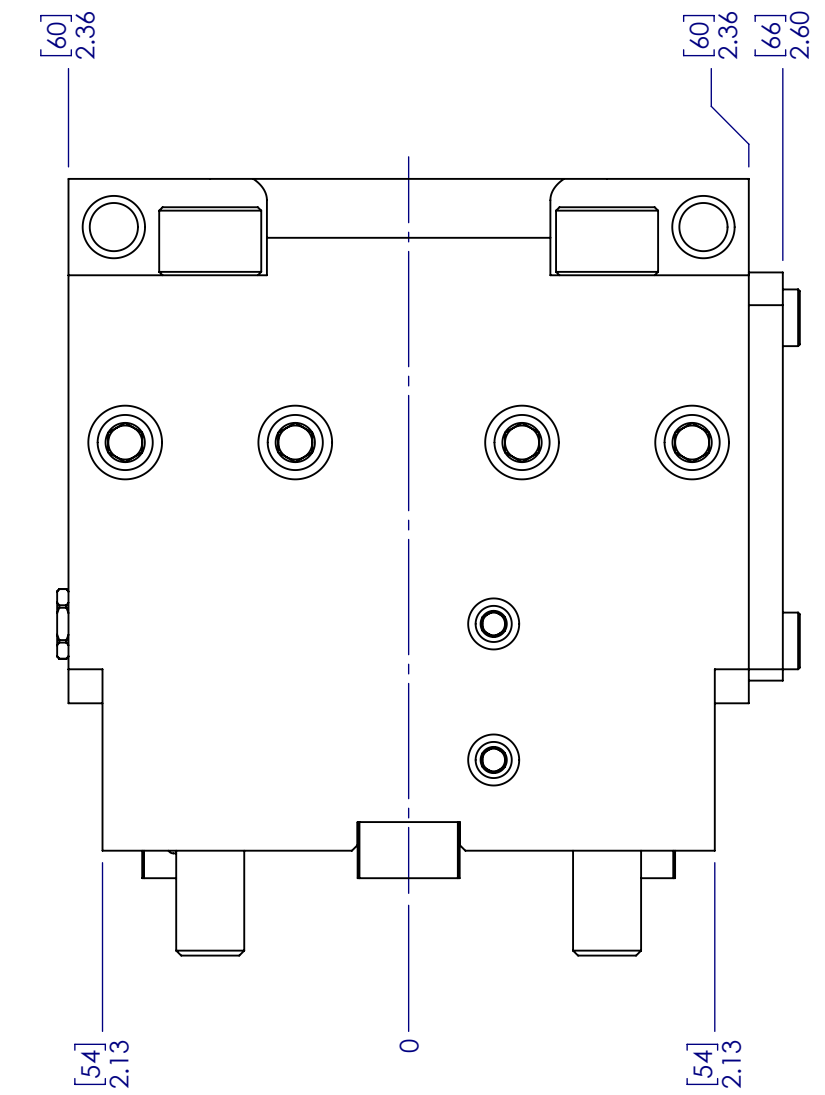
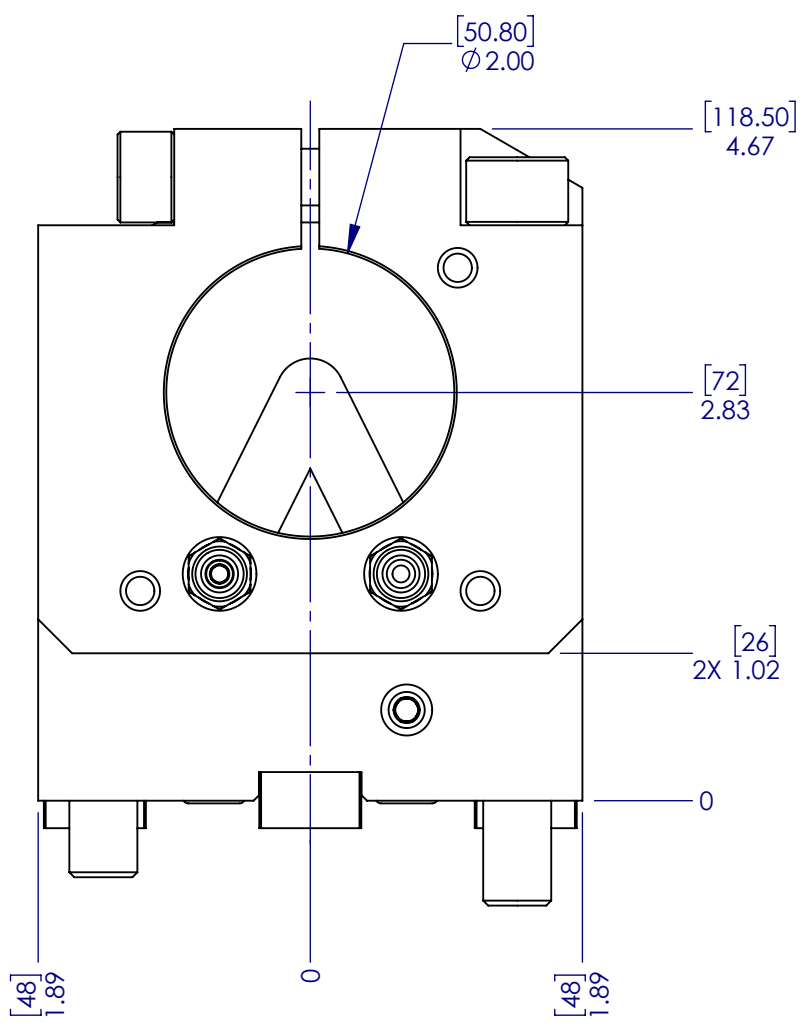
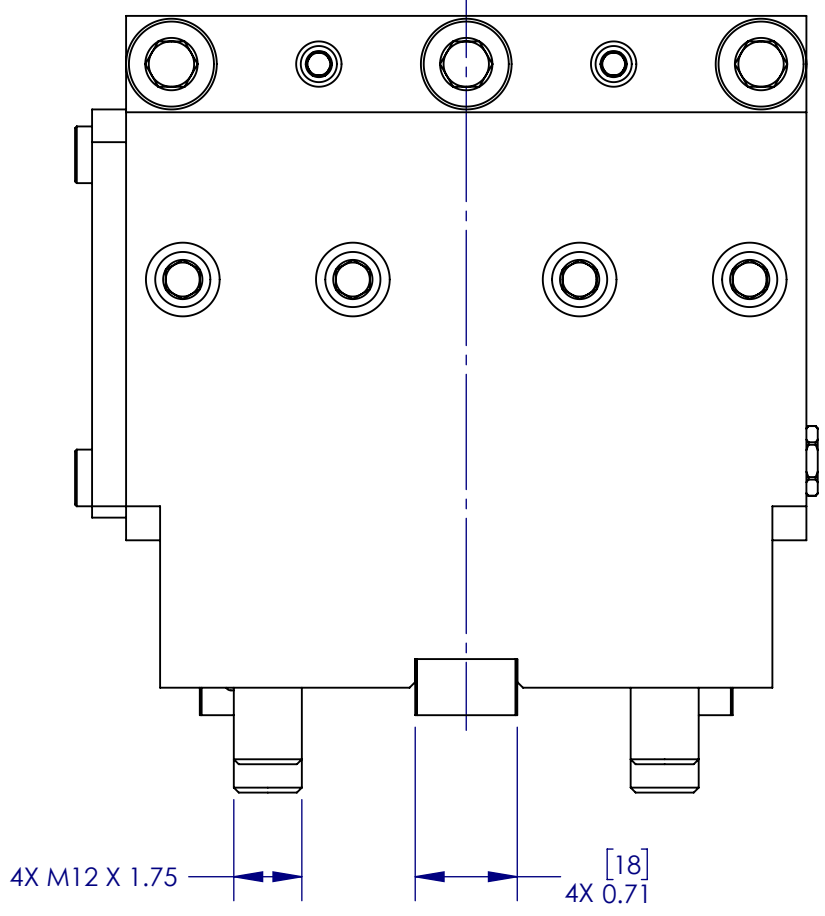
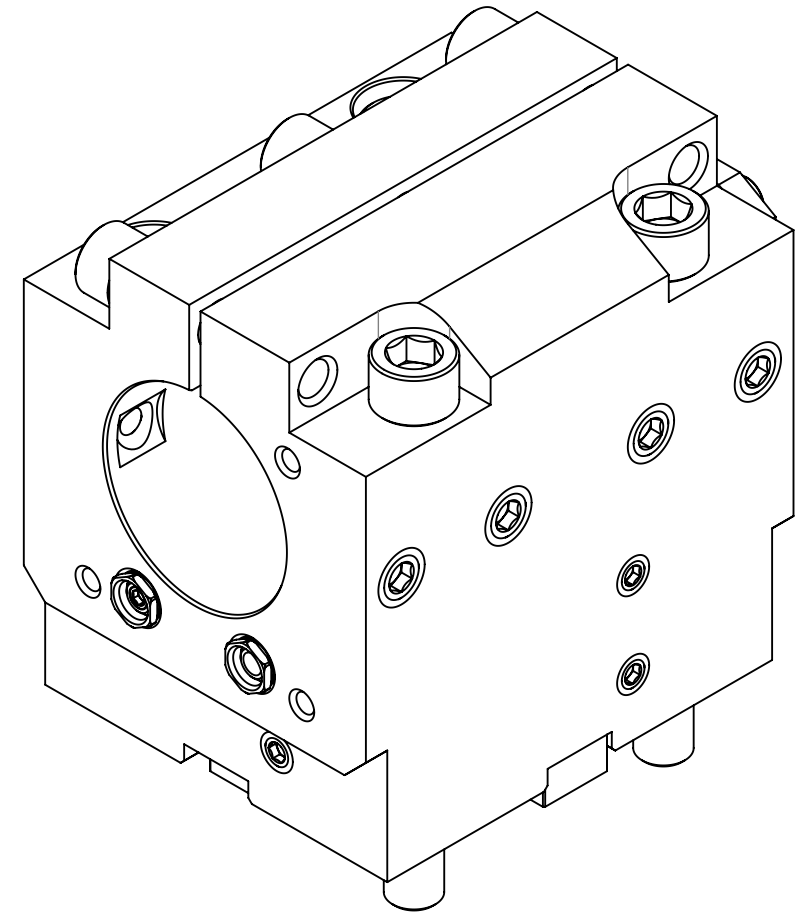
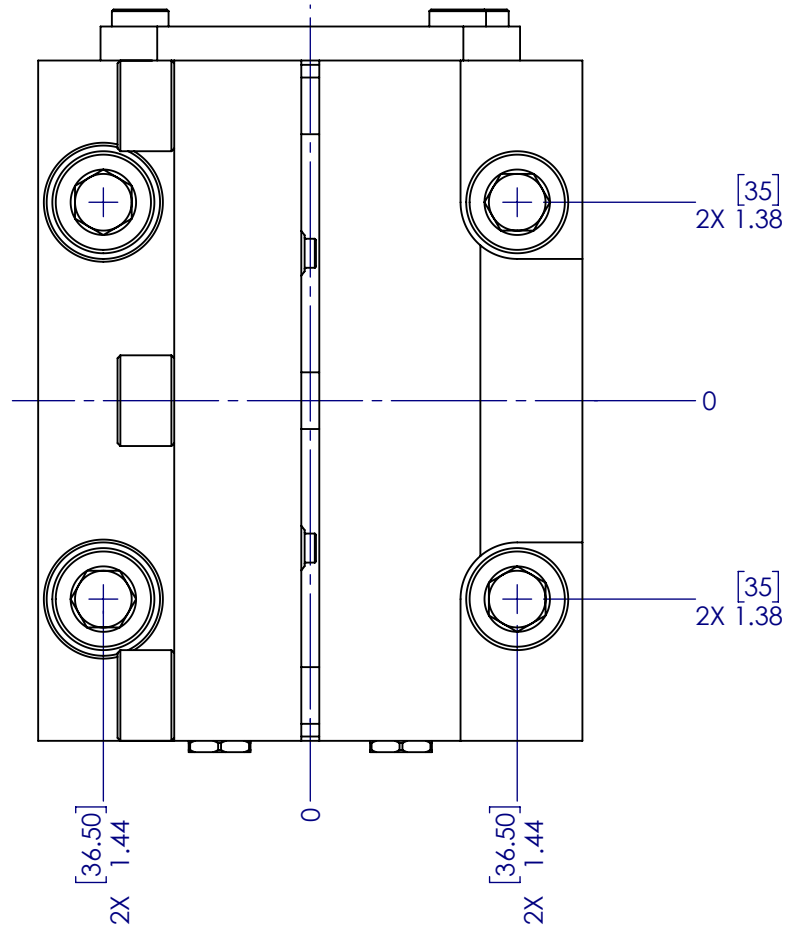
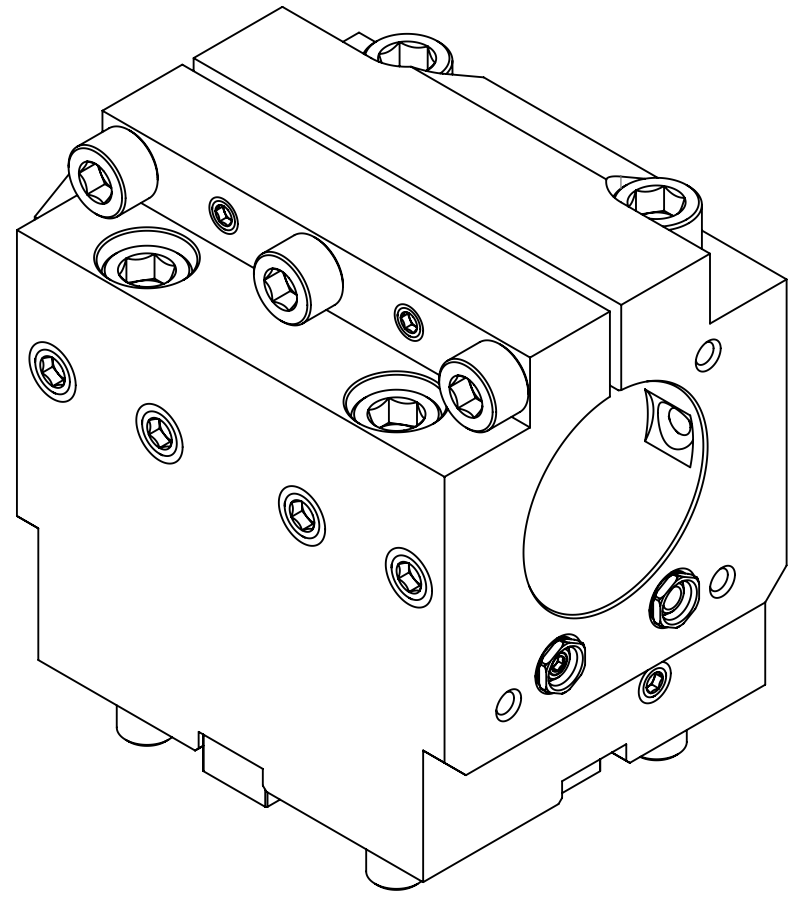


DRAWING NUMBER
OMW-11646

REVISION	DESCRIPTION OF CHANGE	DATE	ECO NUMBER	APPROVED BY
PRE-01	INITIAL DESIGN	11/3/2017	-	



RedLine	DRAWING NUMBER OMW-11646	
	DESCRIPTION BMT65 2.000 ID SBBH HAAS	
	PART NUMBER RB65ID200SP	
DRAWN BY	DATE 11/3/2017	DESIGN STATUS PRE-PRODUCTION
PRICE DRAWING NUMBERS N/A	WEIGHT 17.74 LBS.	PROCESS STATE FINISHED ASSEMBLY
SCALE 3:4		REV. PRE-01
SIZE C		SHEET 1 of 1