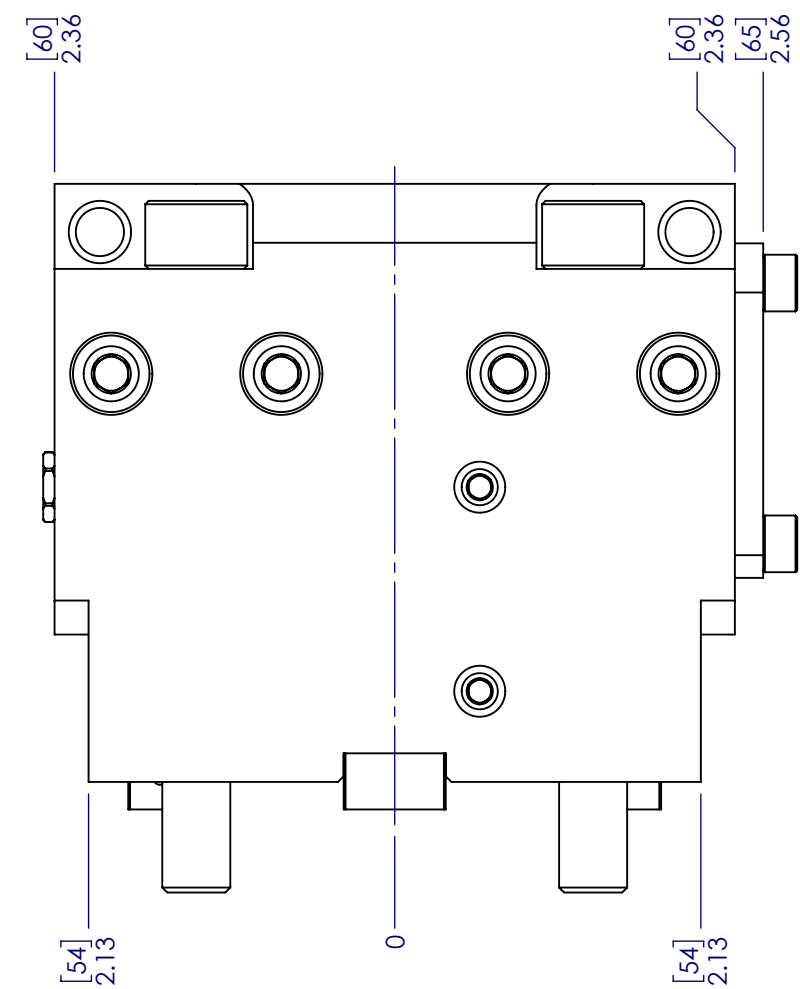
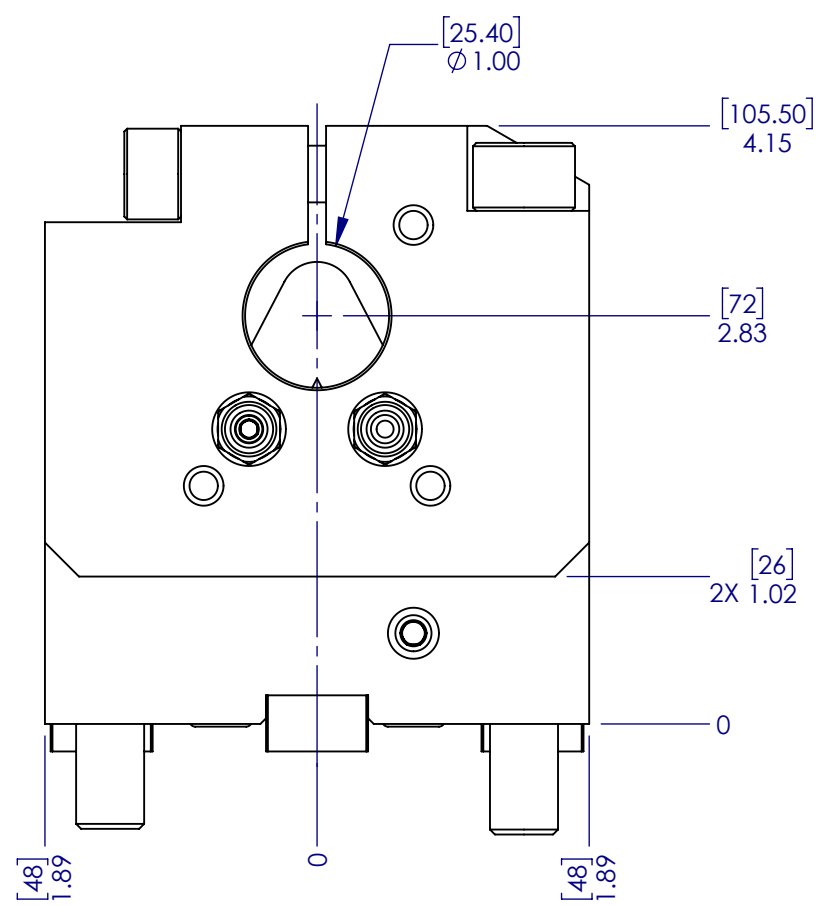
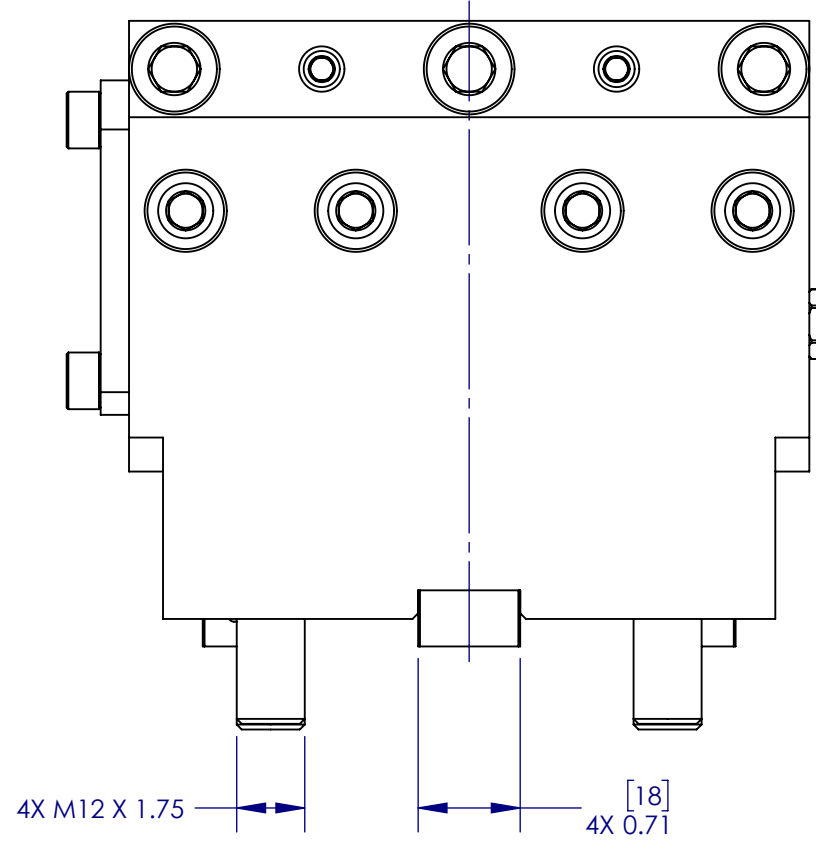
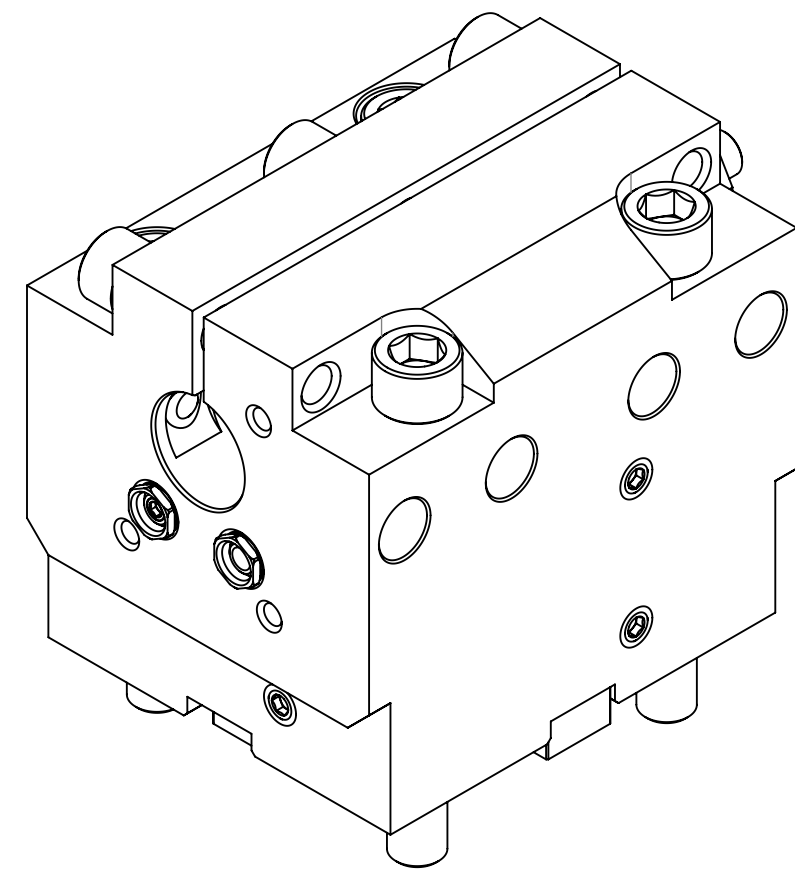
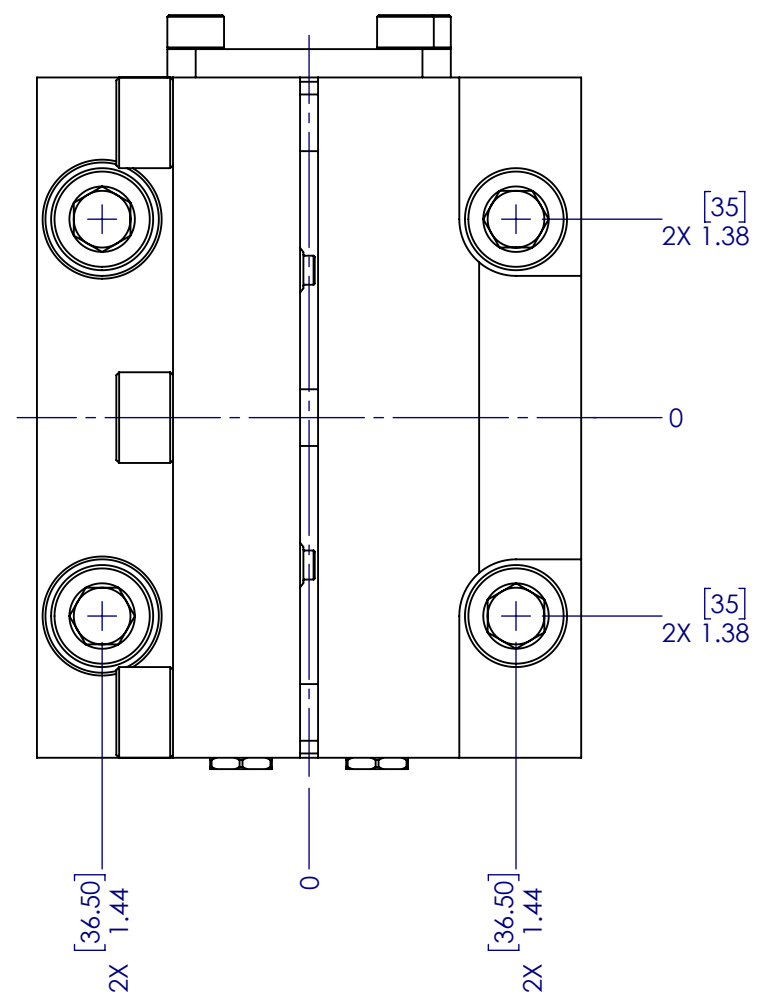
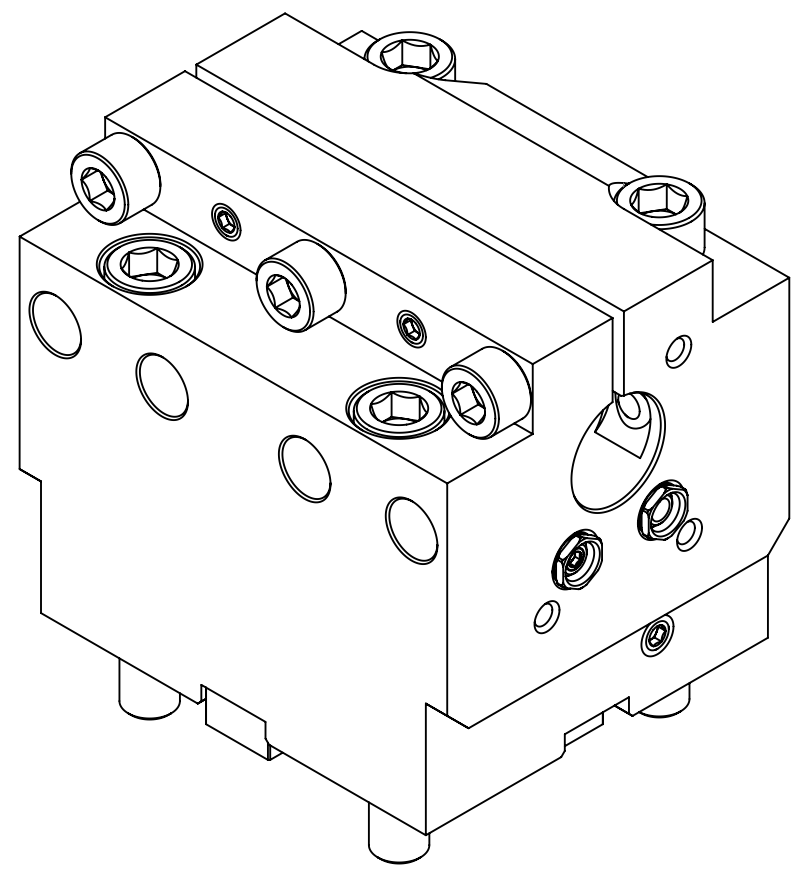


REVISION	DESCRIPTION OF CHANGE	DATE	ECO NUMBER	APPROVED BY
PRE-01	INITIAL DESIGN	11/3/2017	-	



RedLine	DRAWING NUMBER OMW-11644	
	DESCRIPTION BMT65 1.000 ID SBBH HAAS	
PART NUMBER RB65ID100SP		
DRAWN BY	DATE 11/3/2017	DESIGN STATUS PRE-PRODUCTION
PRICE DRAWING NUMBERS	WEIGHT 18.00 LBS.	PROCESS STATE FINISHED ASSEMBLY
SIZE C		SCALE 3:4
SHEET 1		OF 1