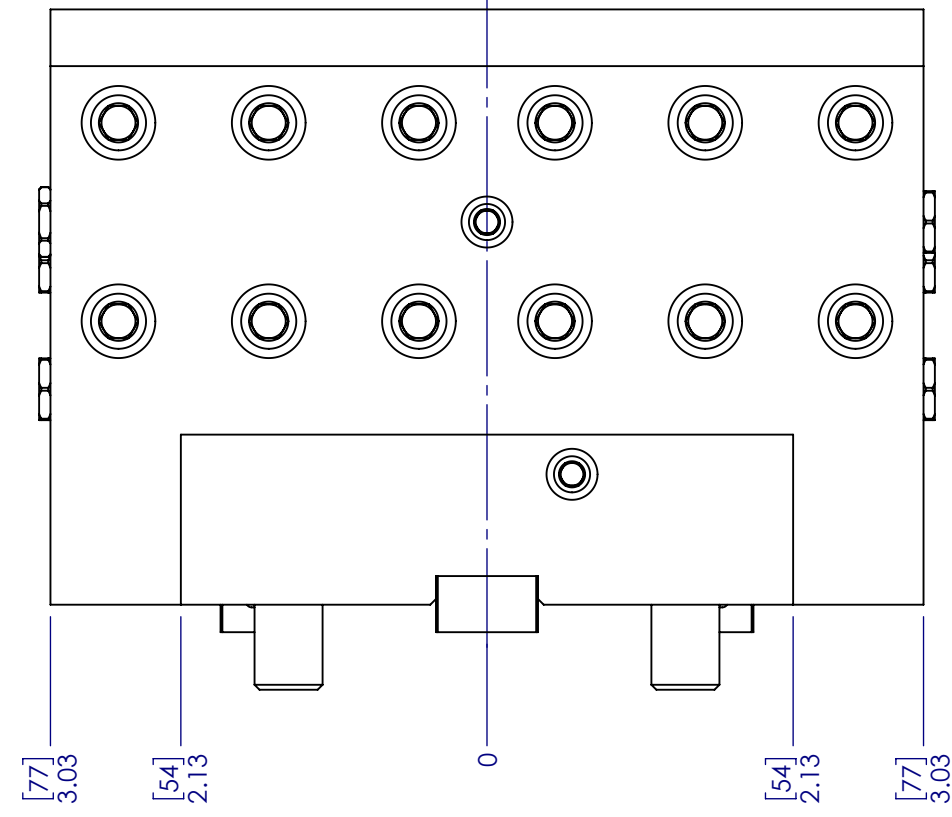
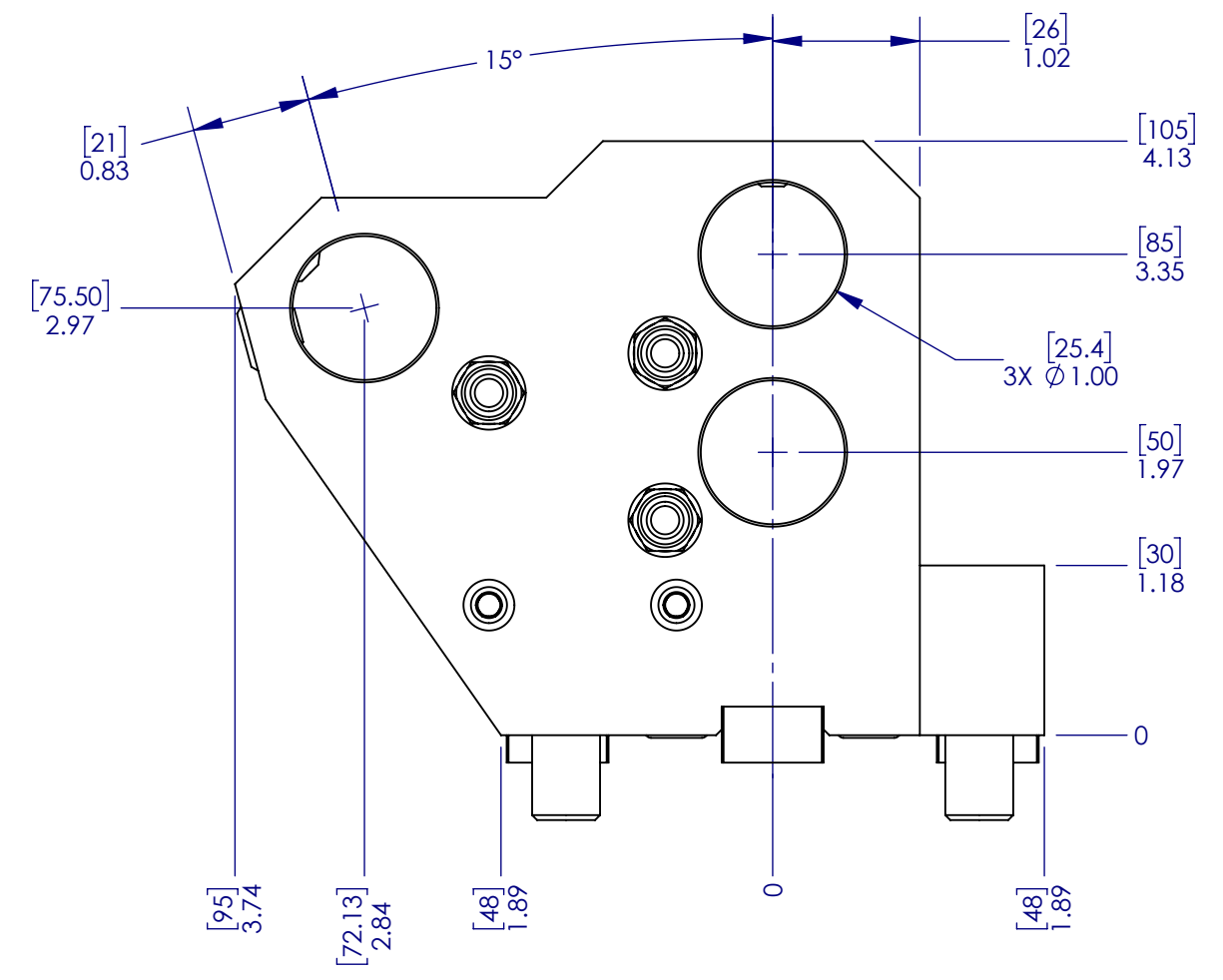
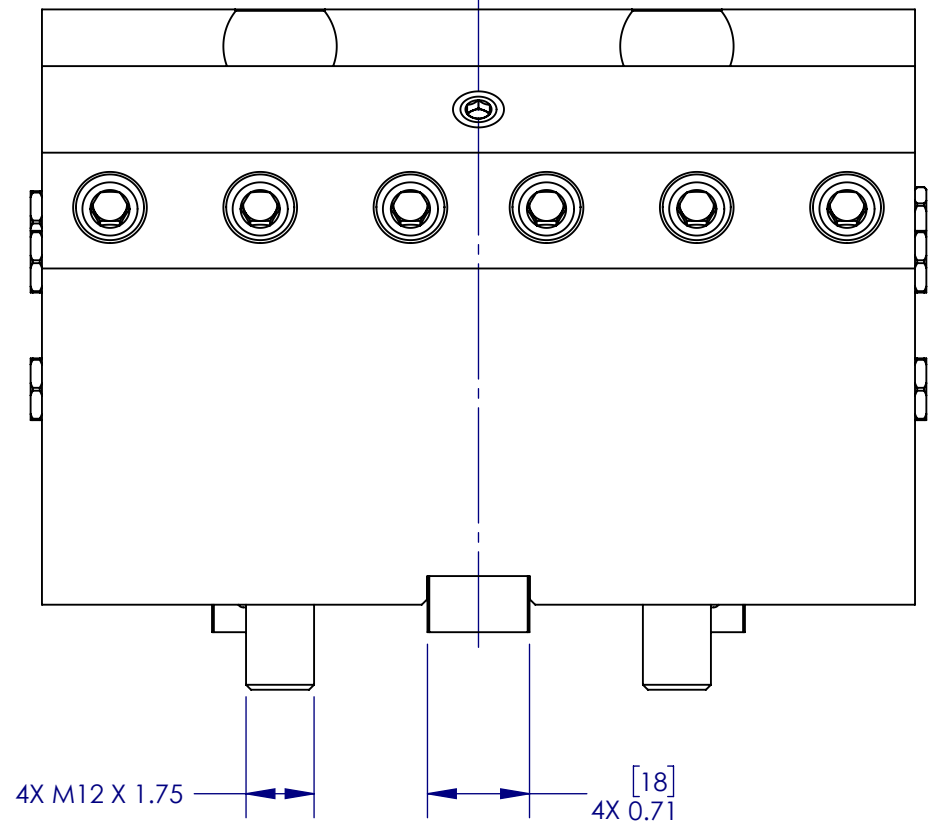
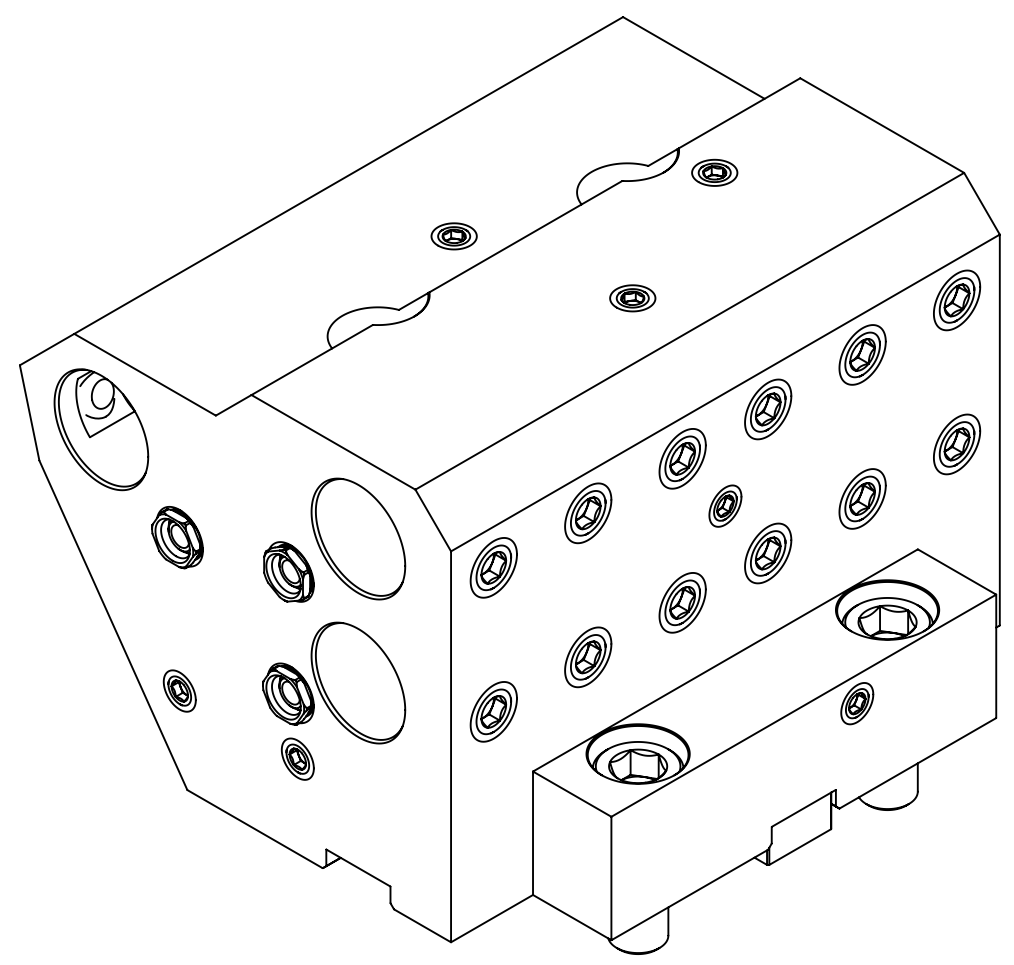
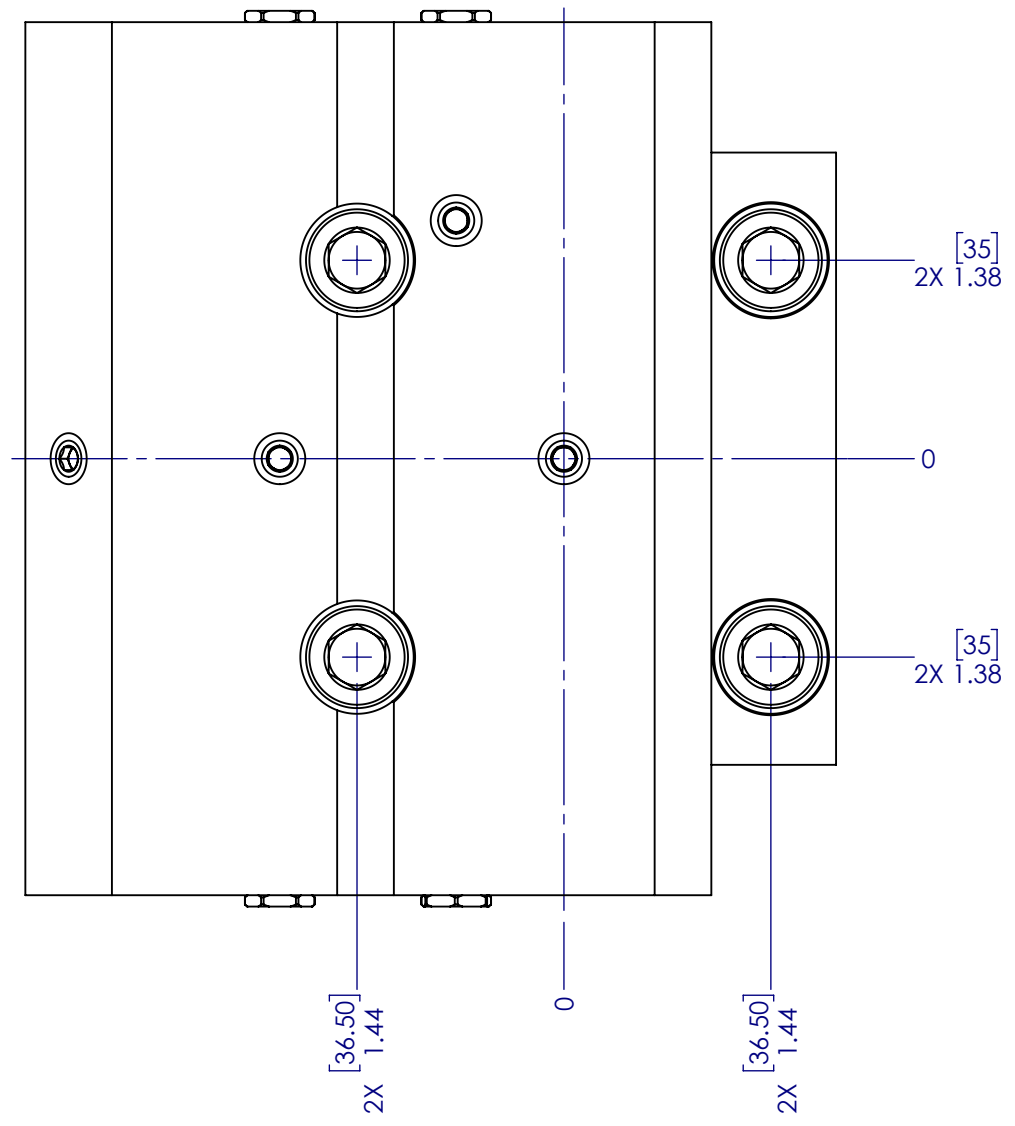
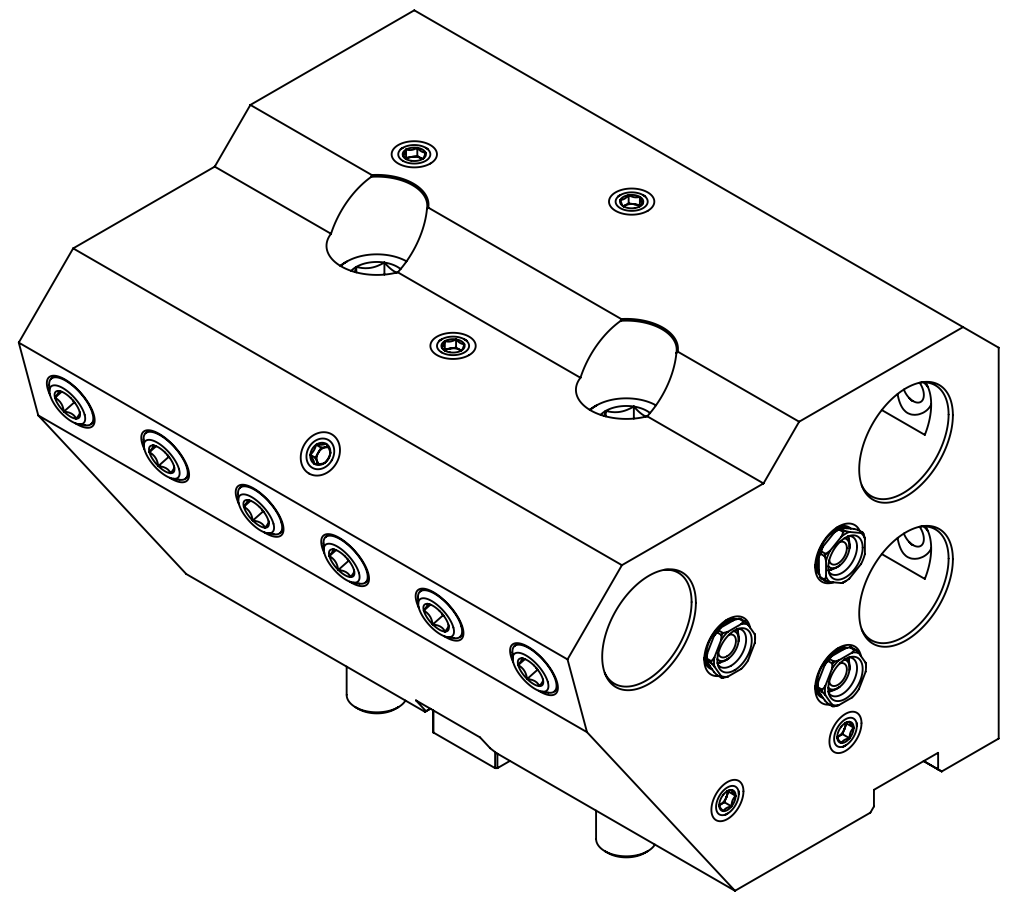


DRAWING NUMBER
OMW-11642

REVISION	DESCRIPTION OF CHANGE	DATE	ECO NUMBER	APPROVED BY
PRE-01	INITIAL DESIGN	11/3/2017	-	



RedLine	DRAWING NUMBER	OMW-11642		
	DESCRIPTION	BMT65 1.000-1.000 ID HBBH HAAS		
	PART NUMBER	RB65ID100100HIDS		
DRAWN BY	DATE	DESIGN STATUS	REV.	
	11/3/2017	PRE-PRODUCTION	PRE-01	
PRICE DRAWING NUMBERS	WEIGHT	PROCESS STATE	SCALE	
N/A	23.97 LBS.	FINISHED ASSEMBLY	3:4	
		SIZE	SHEET	
		C	1 of 1	