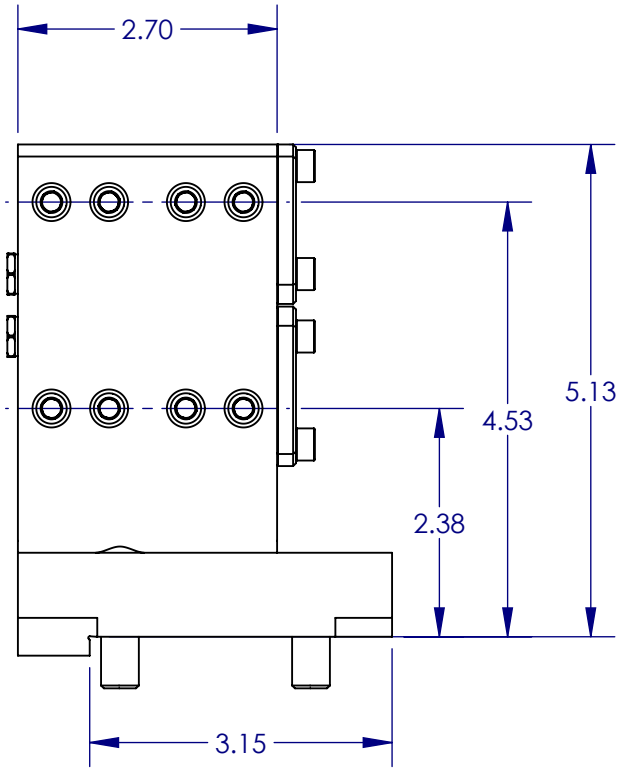
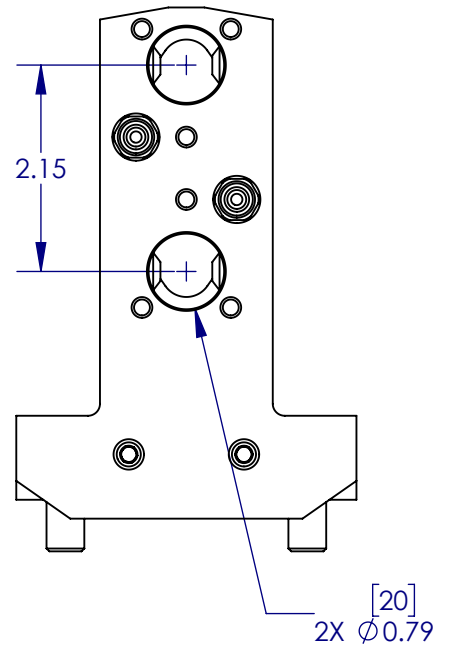
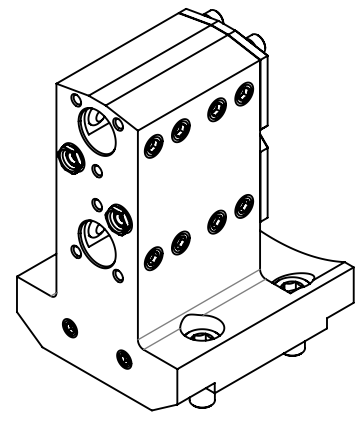
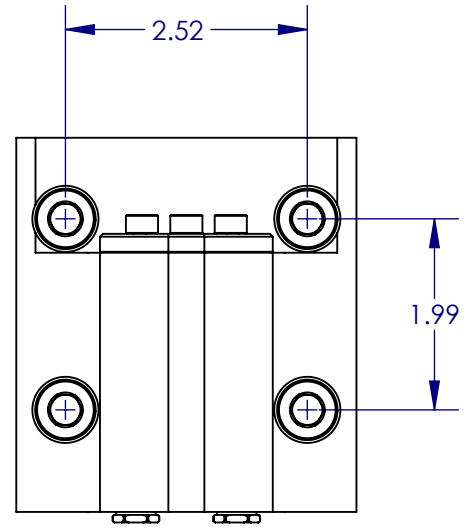


DRAWING NUMBER  
**OMW-11149**

REVISION	DESCRIPTION OF CHANGE	DATE	ECO NUMBER	APPROVED BY
A	RELEASED FOR PRODUCTION	3/31/2017	-	



<b>RedLine</b>	DRAWING NUMBER <b>OMW-11149</b>		
	DESCRIPTION <b>20MM ID BBH</b>		
PART NUMBER <b>RBOT24EXTMID20MMT</b>			
DRAWN BY	DATE 12/15/2015	DESIGN STATUS RELEASED	REV. A
PRIOR DRAWING NUMBERS N/A	WEIGHT N/A	PROCESS STATE FINISHED ASSEMBLY	SCALE 1:2
SIZE <b>B</b>			SHEET <b>1 OF 1</b>