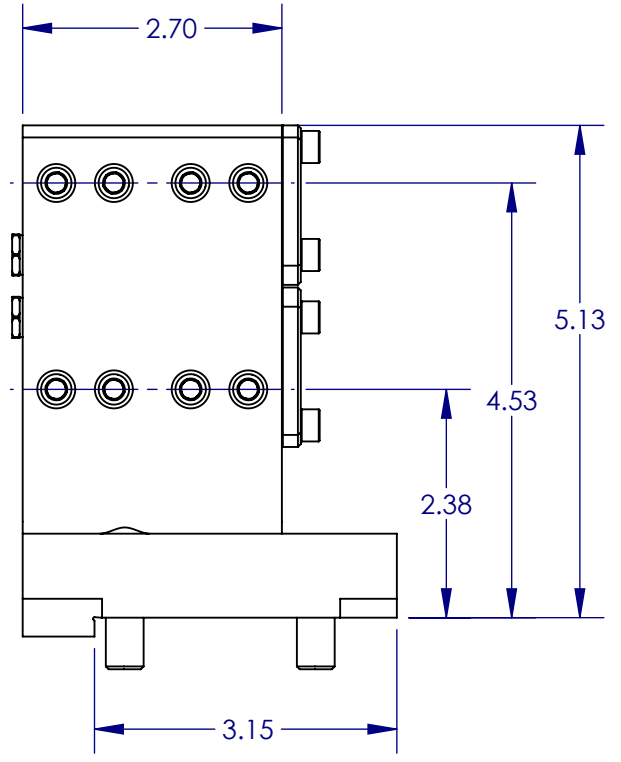
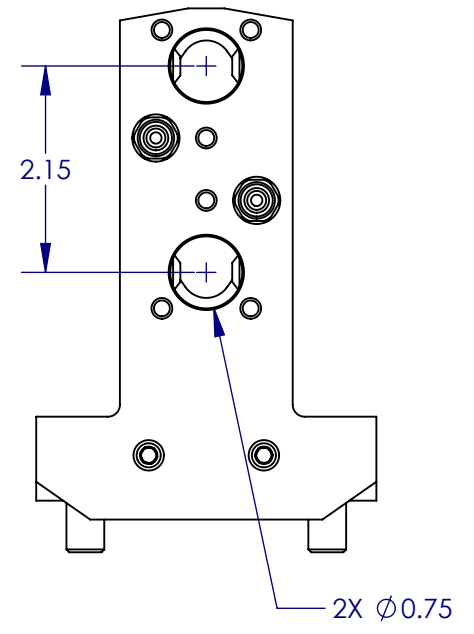
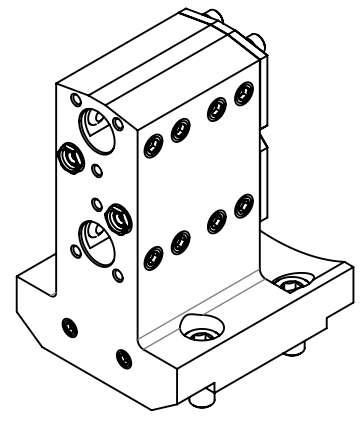
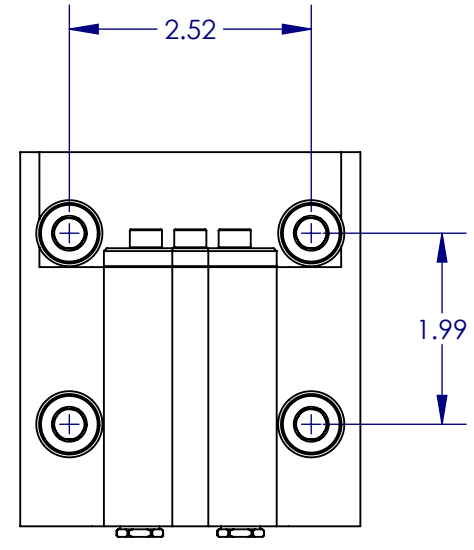


DRAWING NUMBER  
**OMW-11148**

REVISION	DESCRIPTION OF CHANGE	DATE	ECO NUMBER	APPROVED BY
A	RELEASED FOR PRODUCTION	3/30/2017	-	



<b>RedLine</b>	DRAWING NUMBER <b>OMW-11148</b>	
	DESCRIPTION <b>0.750 ID BBH</b>	
PART NUMBER <b>RBOT24EXTID.75T</b>		
DRAWN BY	DATE 12/15/2015	DESIGN STATUS RELEASED
PRIOR DRAWING NUMBERS N/A	WEIGHT N/A	PROCESS STATE FINISHED ASSEMBLY
SIZE <b>B</b>		REV. A
SHEET <b>1 OF 1</b>		SCALE 1:2