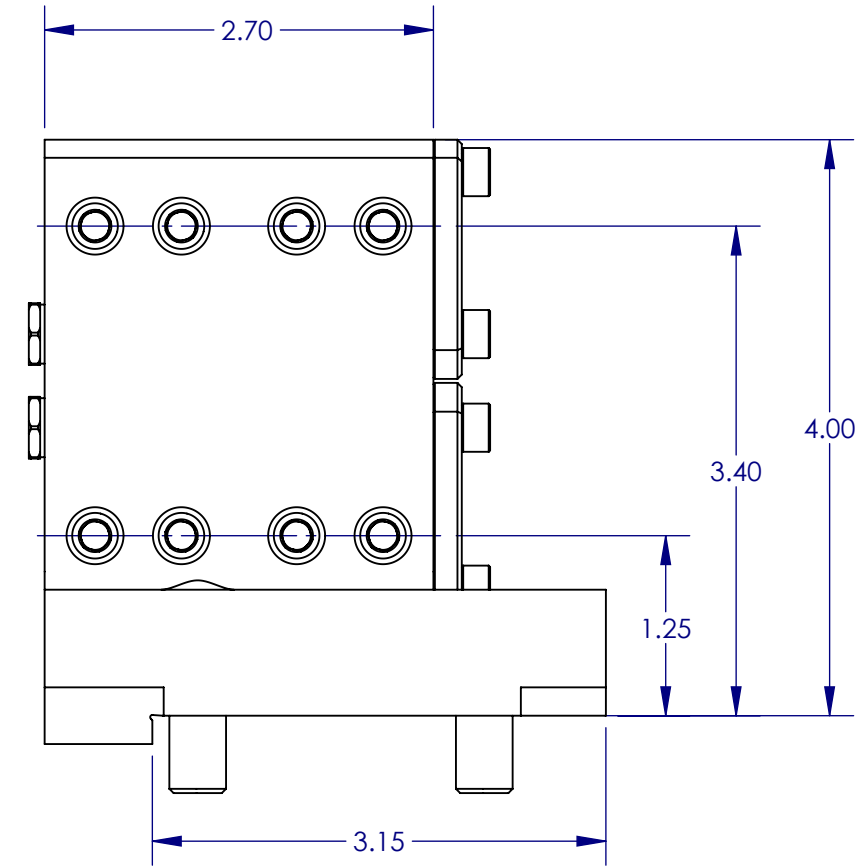
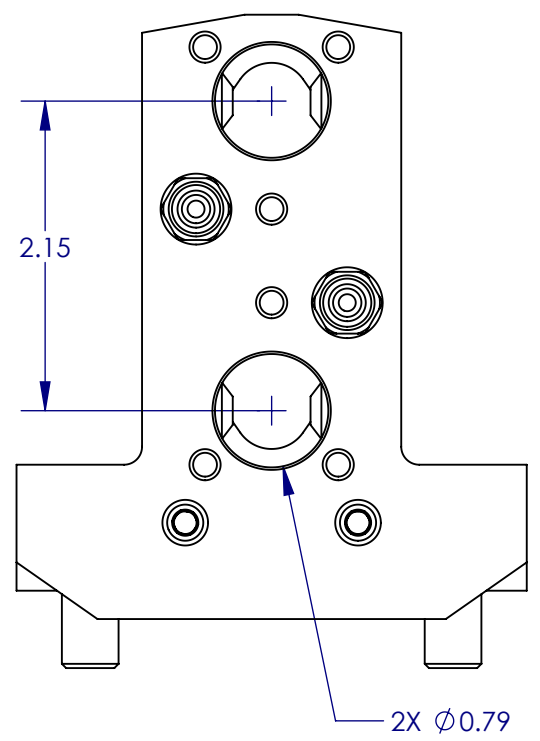
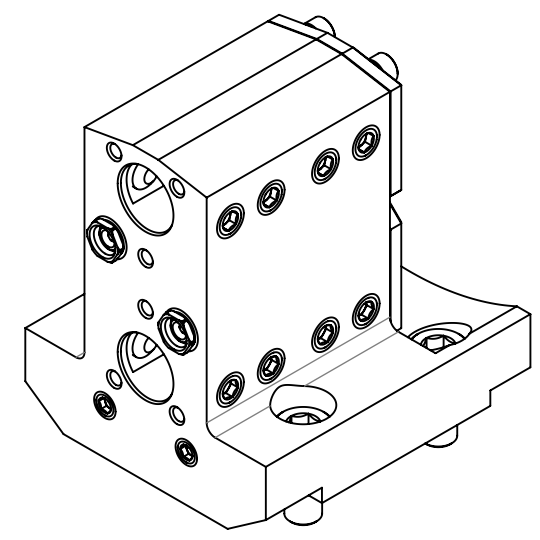
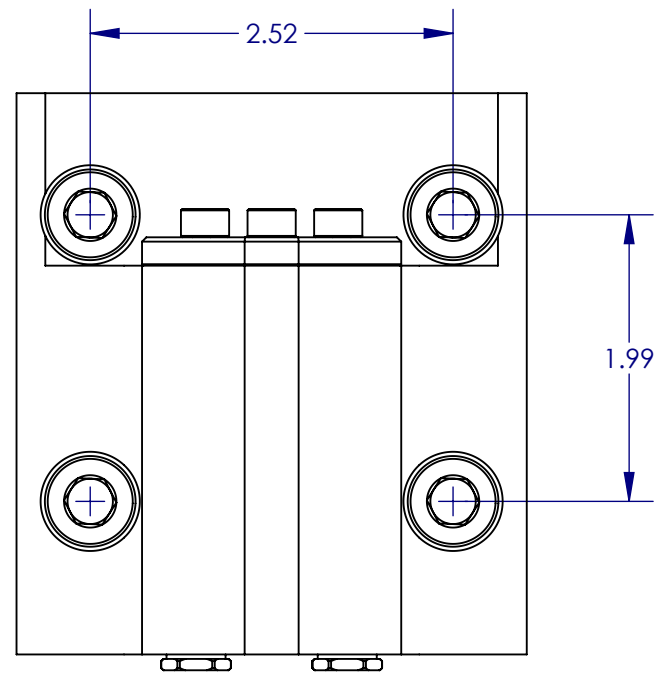


DRAWING NUMBER  
**OMW-11147**

REVISION	DESCRIPTION OF CHANGE	DATE	ECO NUMBER	APPROVED BY
PRE-02	MODIFIED COMPONENT PRINT	2/8/2017	-	



<b>RedLine</b>		DRAWING NUMBER <b>OMW-11147</b>	
		DESCRIPTION <b>20MM ID BBH</b>	
		PART NUMBER <b>RBOT24MID20MMT</b>	
DRAWN BY	DATE 12/9/2015	DESIGN STATUS PRE-PRODUCTION	REV. PRE-02
PRIOR DRAWING NUMBERS N/A	WEIGHT N/A	PROCESS STATE FINISHED ASSEMBLY	SCALE 3:4
			SIZE <b>B</b>
			SHEET <b>1 OF 1</b>