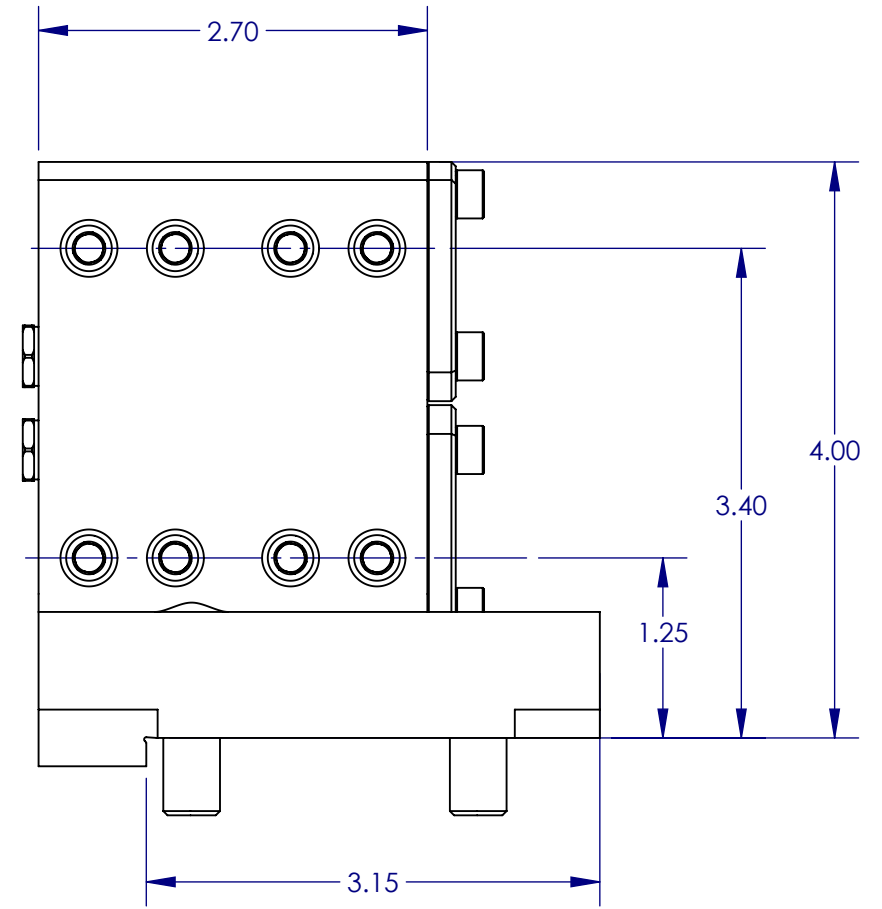
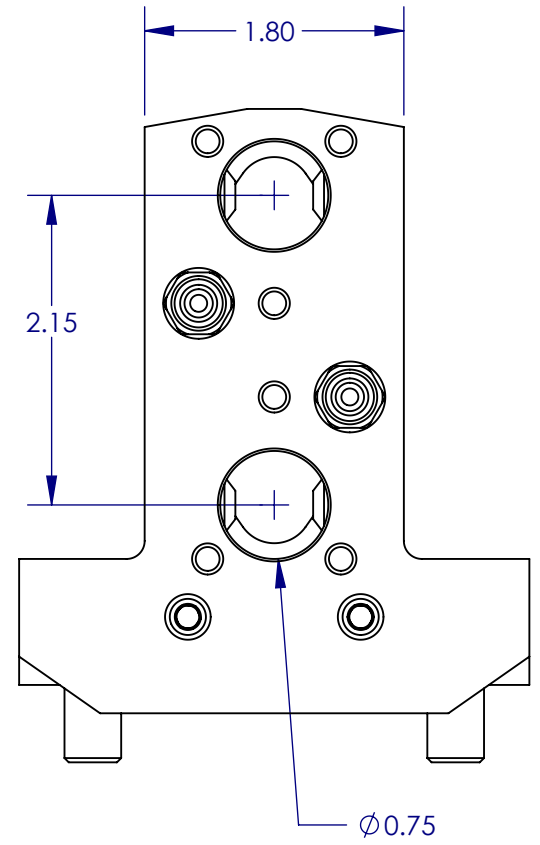
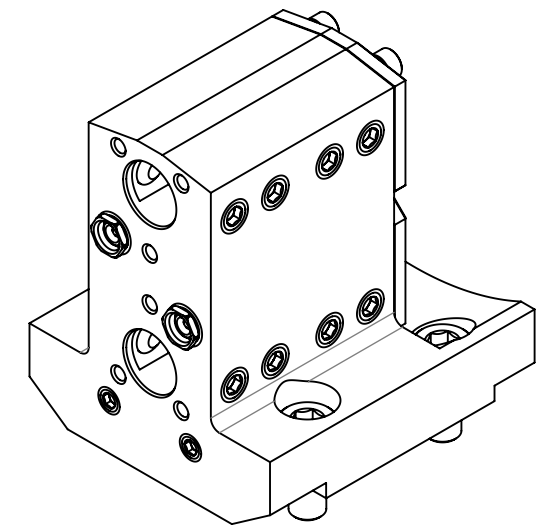
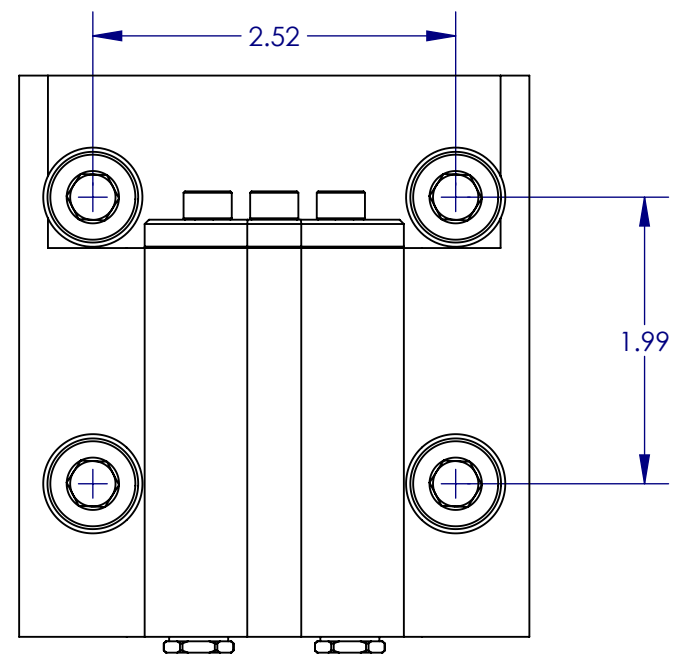


DRAWING NUMBER
OMW-11146

REVISION	DESCRIPTION OF CHANGE	DATE	ECO NUMBER	APPROVED BY
PRE-02	MODIFIED COMPONENT PRINT	2/8/2017	-	



RedLine		DRAWING NUMBER OMW-11146	
		DESCRIPTION 0.750 ID BBH	
		PART NUMBER RBOT24ID.75T	
DRAWN BY	DATE 11/17/2015	DESIGN STATUS PRE-PRODUCTION	REV. PRE-02
PRIOR DRAWING NUMBERS N/A	WEIGHT N/A	PROCESS STATE FINISHED ASSEMBLY	SCALE 3:4
SIZE B			SHEET 1 OF 1