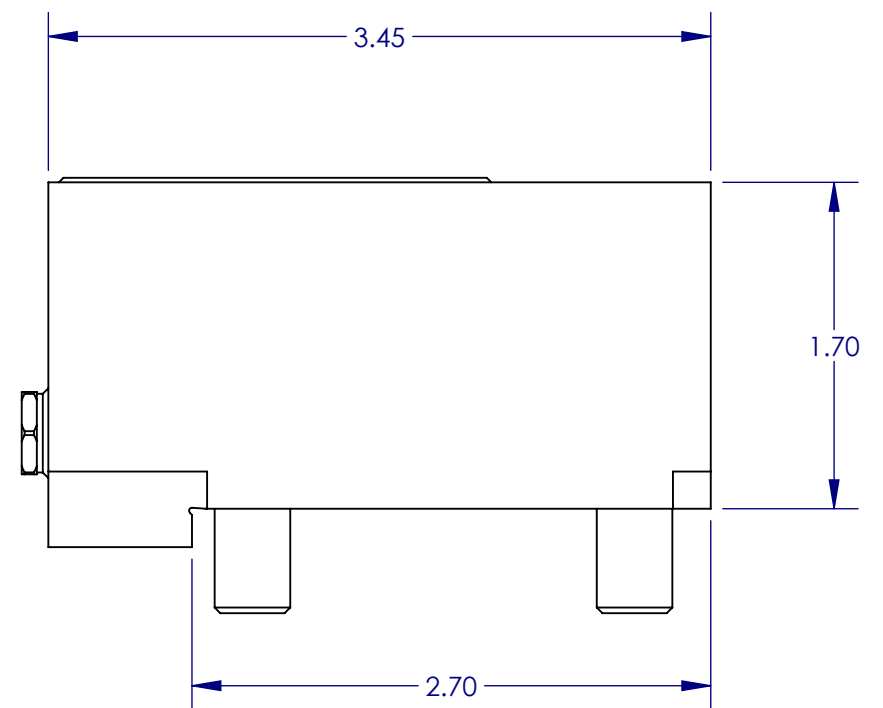
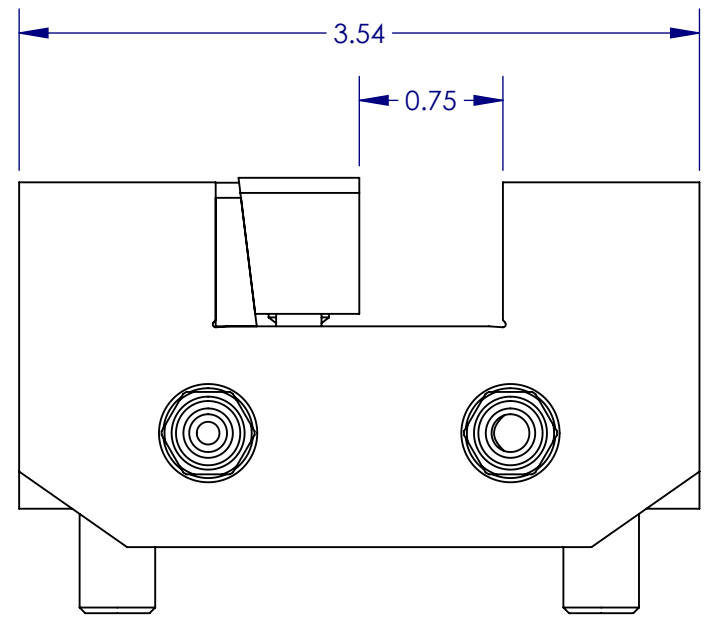
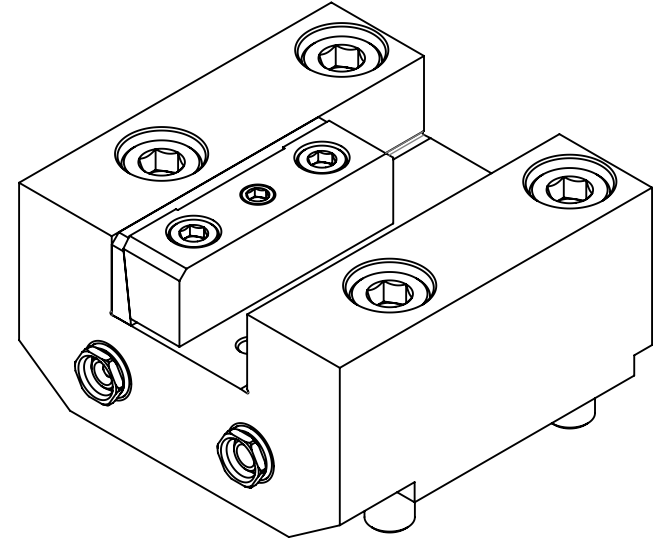
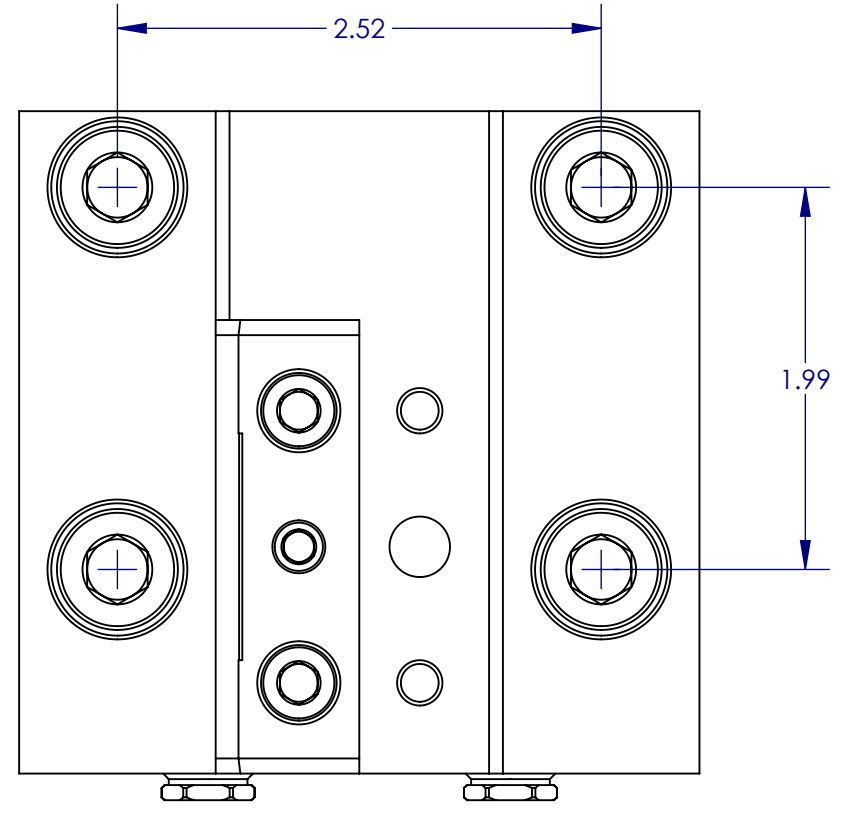


REVISION	DESCRIPTION OF CHANGE	DATE	ECO NUMBER	APPROVED BY
A	RELEASED FOR PRODUCTION	3/31/2017	-	



RedLine		DRAWING NUMBER OMW-11142	
		DESCRIPTION 0.750 OD F/G	
		PART NUMBER RBOT24FG.75	
DRAWN BY	DATE 11/17/2015	DESIGN STATUS RELEASED	REV. A
PRIOR DRAWING NUMBERS N/A	WEIGHT N/A	PROCESS STATE FINISHED ASSEMBLY	SCALE 1:1
SIZE B			SHEET 1 OF 1