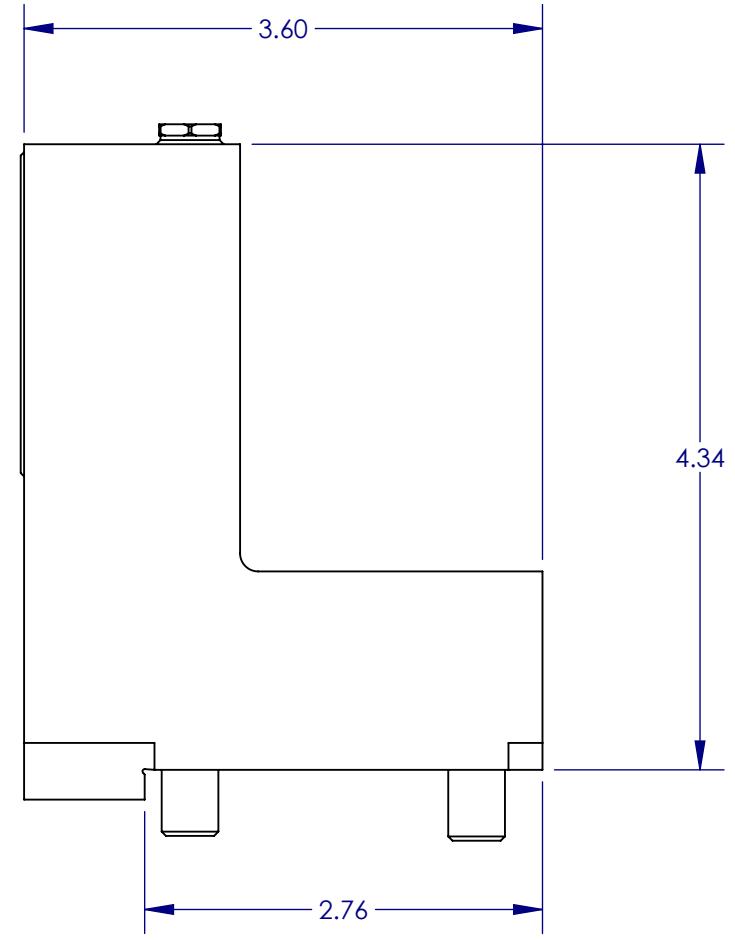
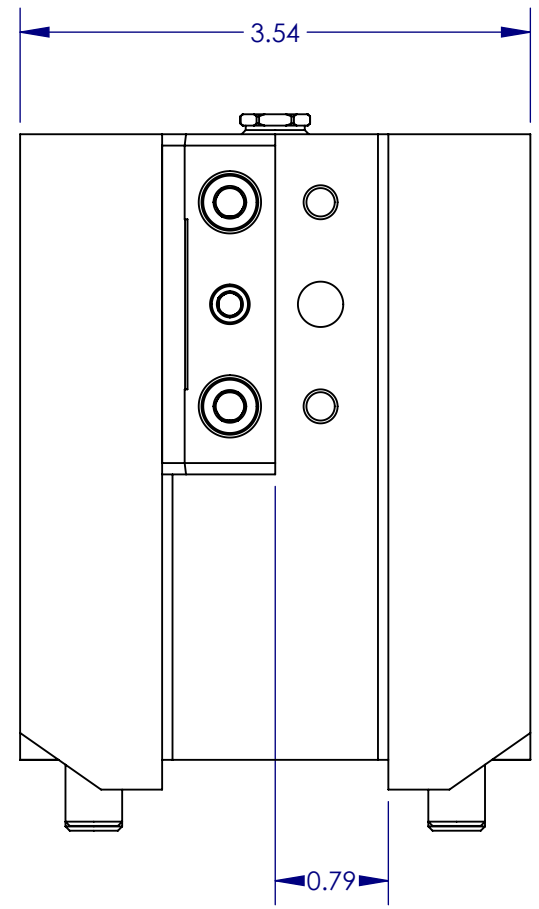
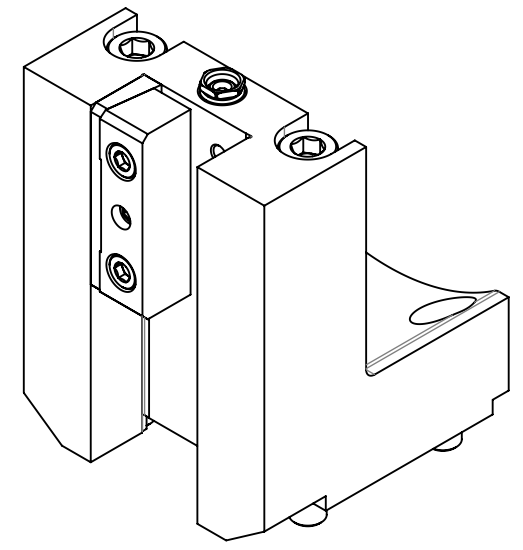
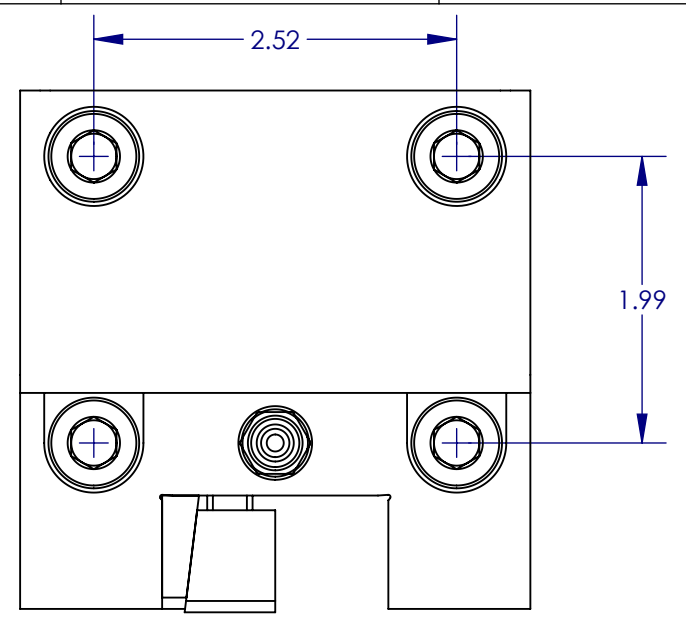


DRAWING NUMBER  
**OMW-11141**

REVISION	DESCRIPTION OF CHANGE	DATE	ECO NUMBER	APPROVED BY
A	RELEASED FOR PRODUCTION	05/19/2017	-	

D  
C  
B  
A

D  
C  
B  
A



<b>RedLine</b>		DRAWING NUMBER <b>OMW-11141</b>	
		DESCRIPTION <b>20MM OD PTH</b>	
		PART NUMBER <b>RBOT24EXTMOD20MM</b>	
DRAWN BY	DATE 01/11/2016	DESIGN STATUS RELEASED	REV. A
PRIOR DRAWING NUMBERS N/A	WEIGHT N/A	PROCESS STATE FINISHED ASSEMBLY	SCALE 3:4
SIZE <b>B</b>			SHEET <b>1 OF 1</b>

8 7 6 5 4 3 2 1

8 7 6 5 4 3 2 1