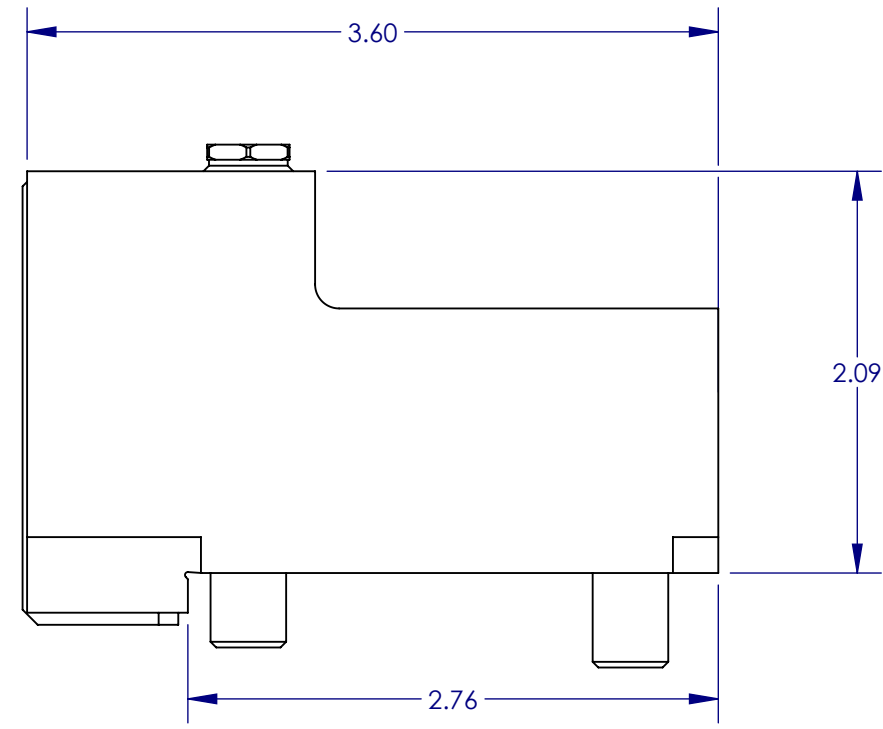
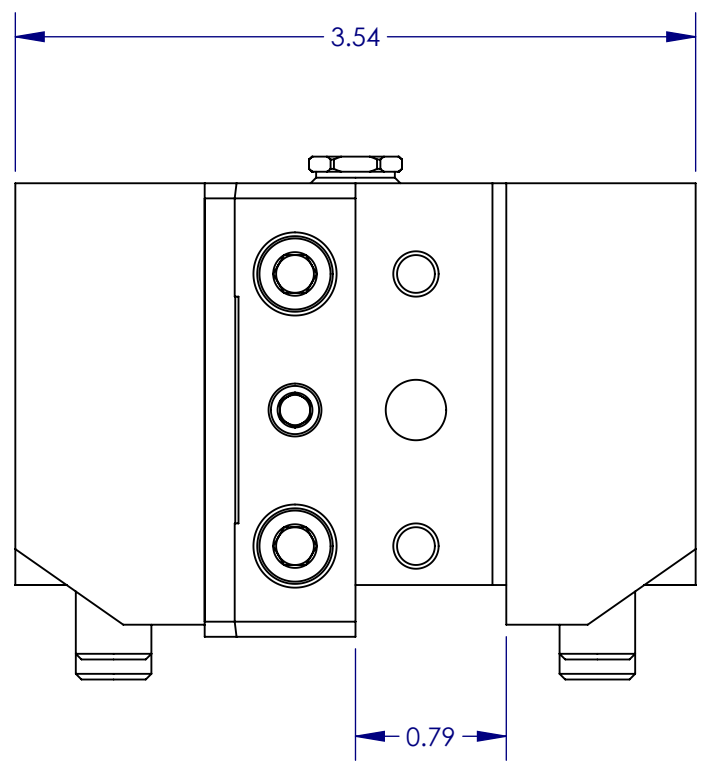
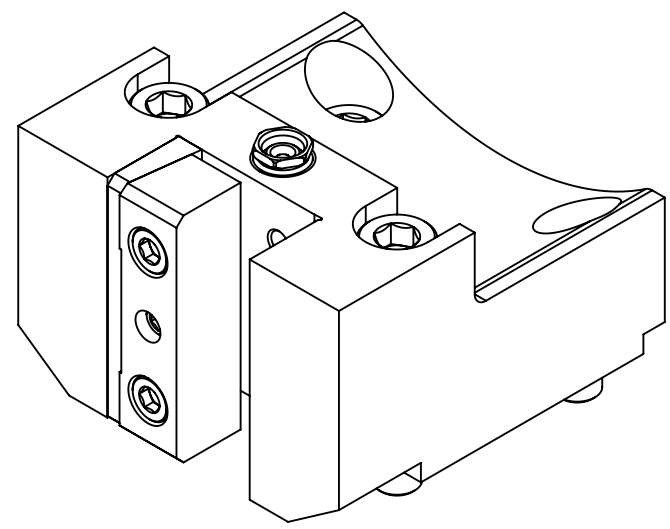
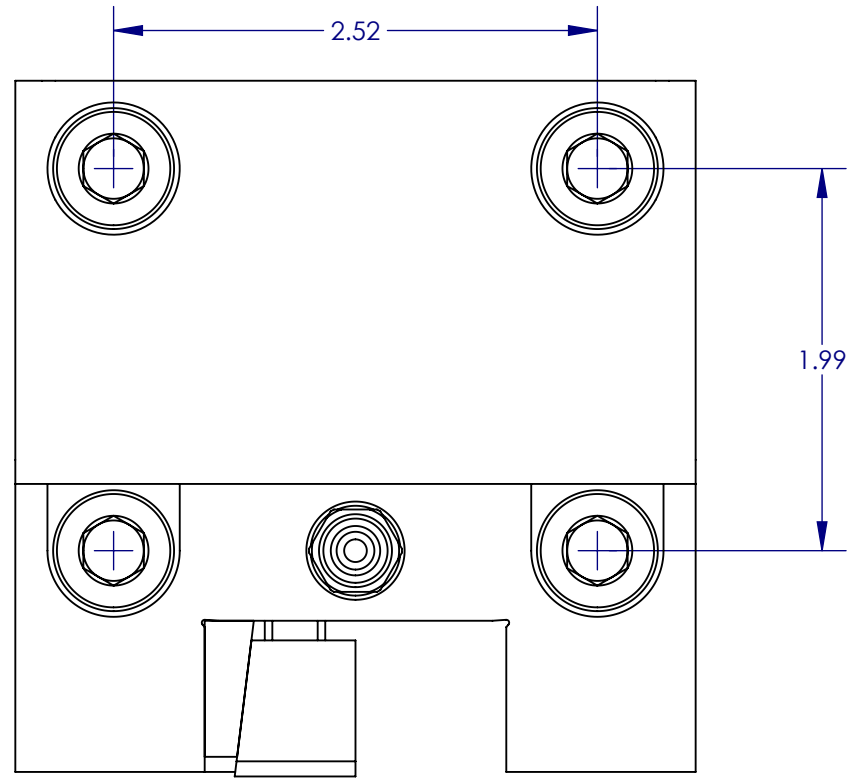


REVISION	DESCRIPTION OF CHANGE	DATE	ECO NUMBER	APPROVED BY
A	RELEASED FOR PRODUCTION	04/05/2017	-	



RedLine		DRAWING NUMBER OMW-11139	
		DESCRIPTION 20MM OD PTH	
		PART NUMBER RBOT24OD20MM	
DRAWN BY	DATE 01/04/2016	DESIGN STATUS RELEASED	REV. A
PRIOR DRAWING NUMBERS N/A	WEIGHT N/A	PROCESS STATE FINISHED ASSEMBLY	SCALE 1:1
SIZE B			SHEET 1 OF 1