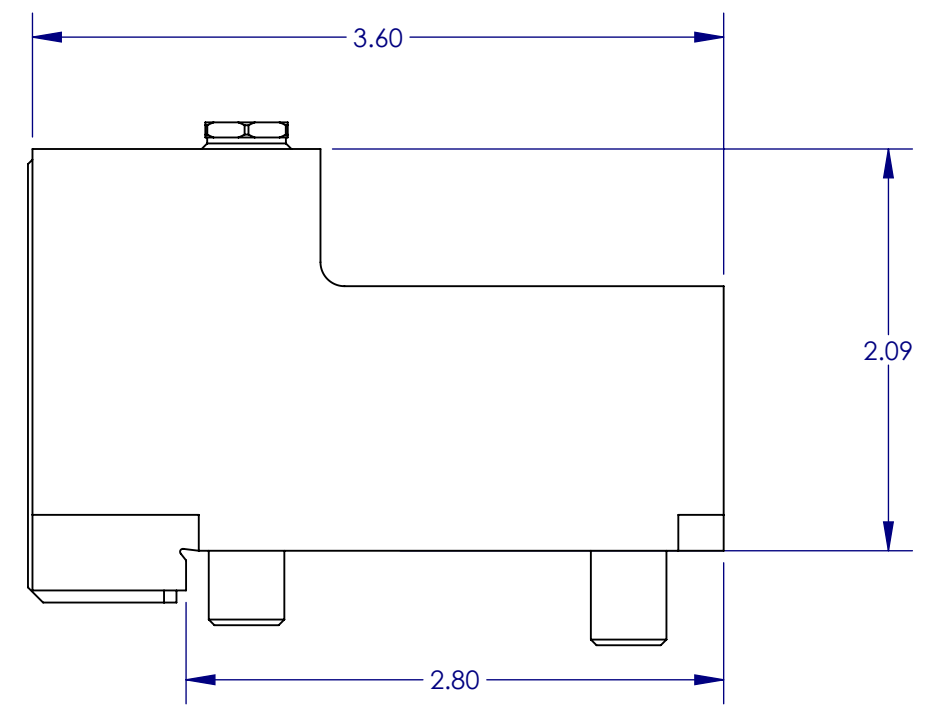
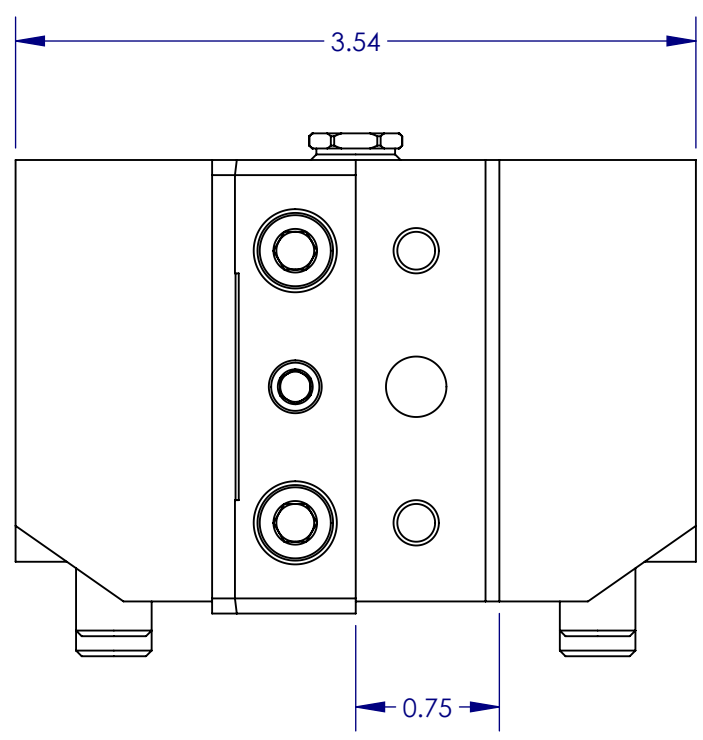
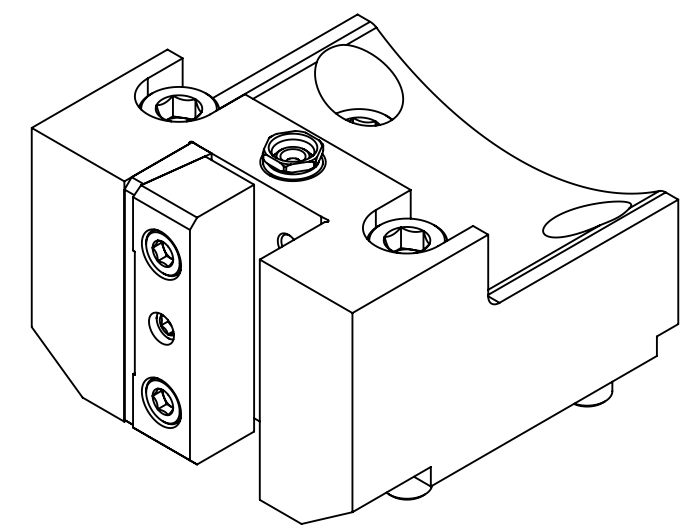
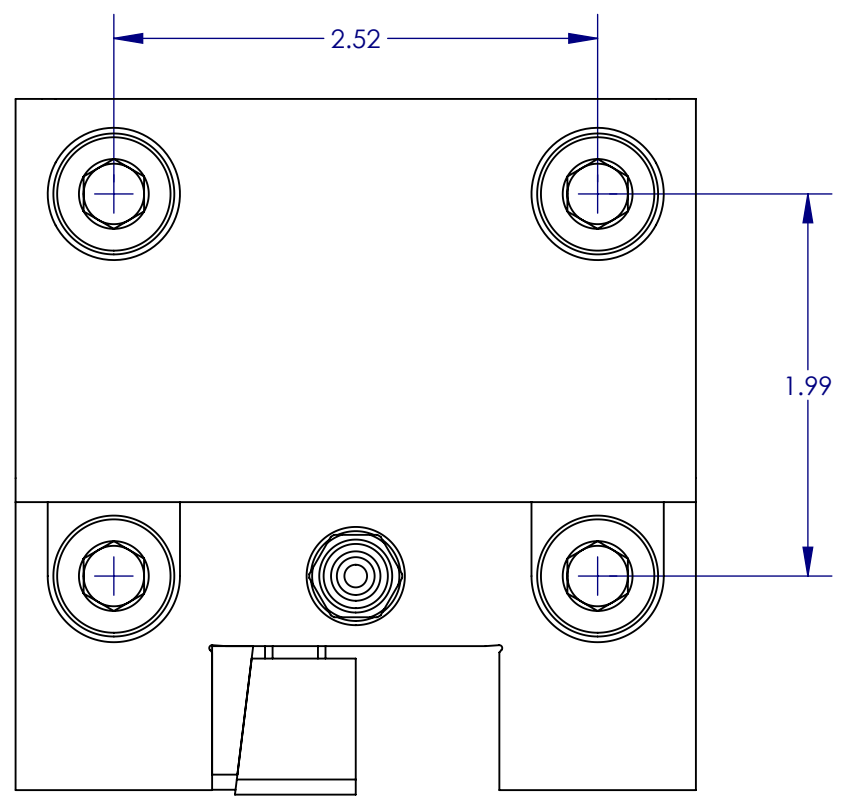


DRAWING NUMBER  
**OMW-11138**

REVISION	DESCRIPTION OF CHANGE	DATE	ECO NUMBER	APPROVED BY
A	RELEASED FOR PRODUCTION	03/31/2017	-	



<b>RedLine</b>		DRAWING NUMBER <b>OMW-11138</b>	
		DESCRIPTION <b>0.750 OD PTH</b>	
		PART NUMBER <b>RBOT24OD.75</b>	
DRAWN BY	DATE 01/04/2016	DESIGN STATUS RELEASED	REV. A
PRIOR DRAWING NUMBERS N/A	WEIGHT N/A	PROCESS STATE FINISHED ASSEMBLY	SCALE 1:1
SIZE <b>B</b>			SHEET <b>1 OF 1</b>