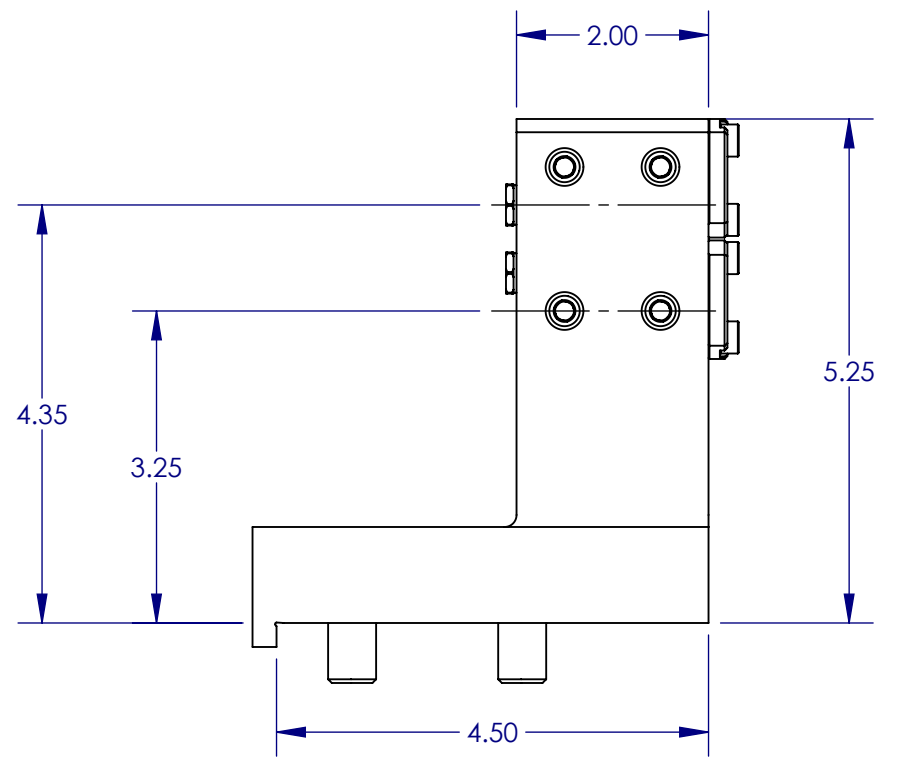
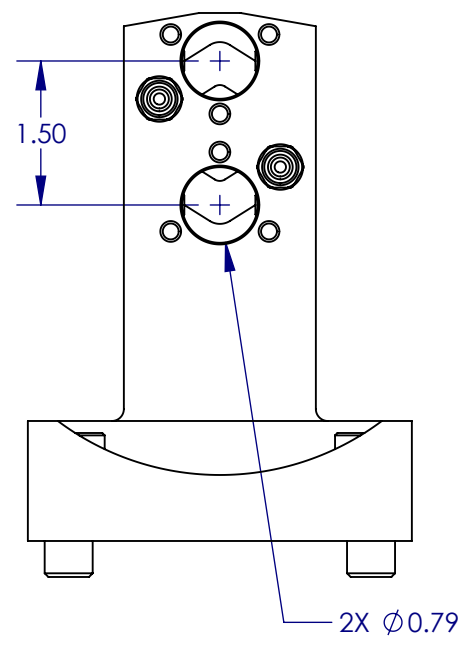
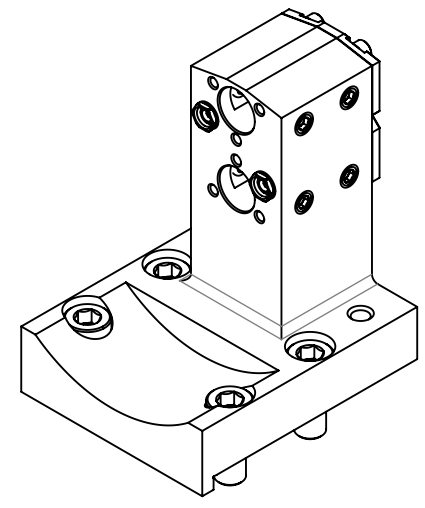
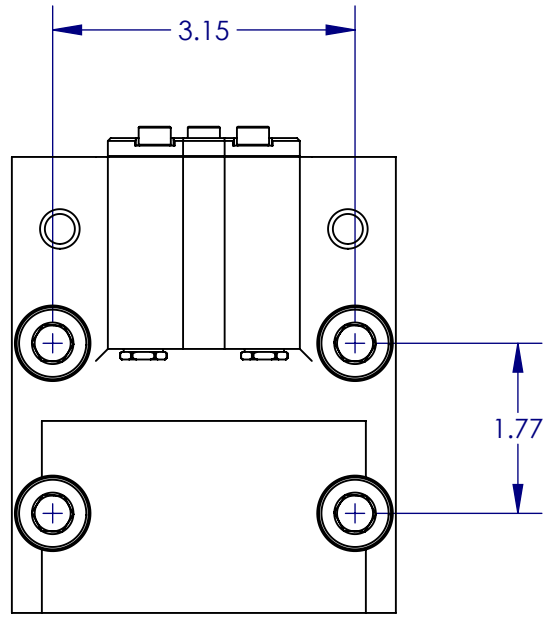


DRAWING NUMBER
OMW-11137

REVISION	DESCRIPTION OF CHANGE	DATE	ECO NUMBER	APPROVED BY
PRE-01	INITIAL DESIGN	1/26/2016	-	



RedLine	DRAWING NUMBER OMW-11137	
	DESCRIPTION 20MM ID BBH	
PART NUMBER RBOT20EXTMID20MMT		
DRAWN BY	DATE 1/26/2016	DESIGN STATUS PRE-PRODUCTION
PRIOR DRAWING NUMBERS N/A	WEIGHT N/A	PROCESS STATE FINISHED ASSEMBLY
SIZE B		SCALE 1:2
SHEET 1 OF 1		