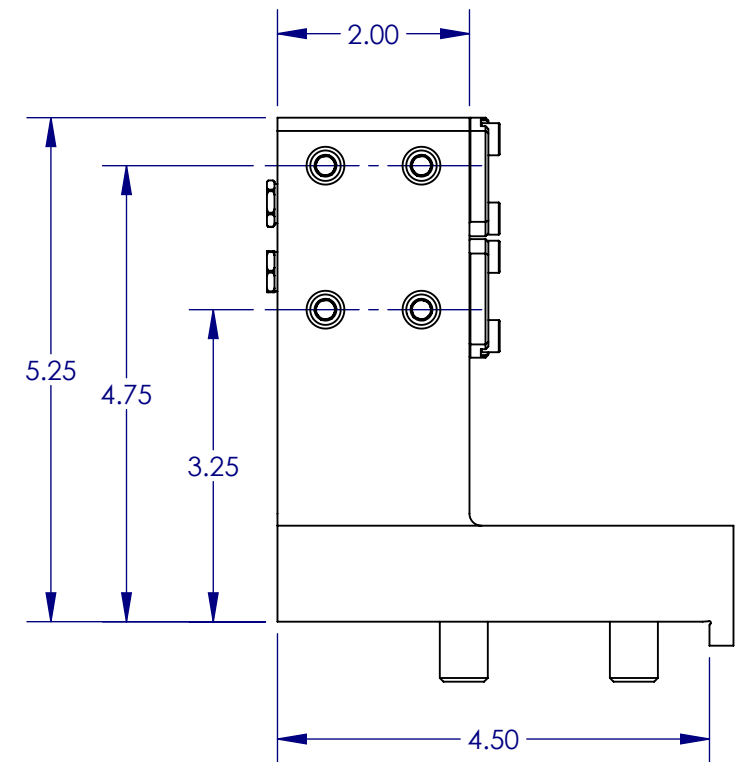
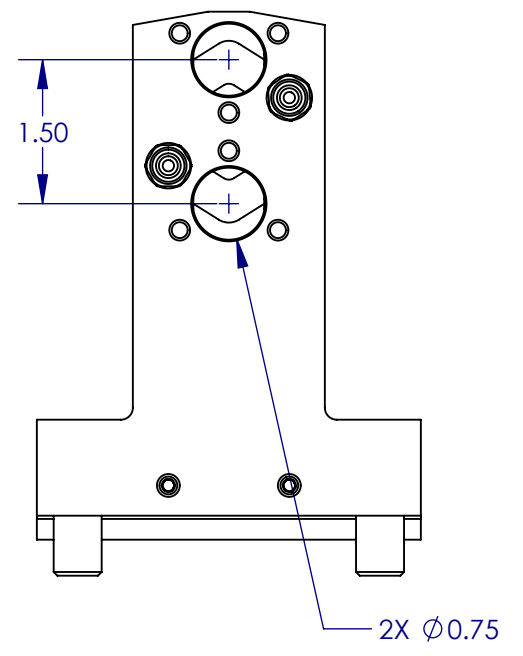
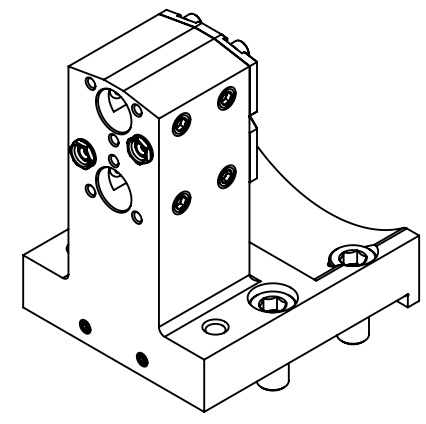
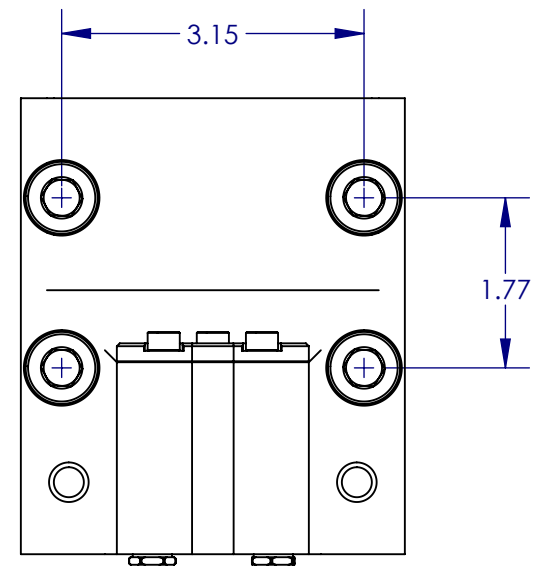


DRAWING NUMBER
OMW-11136

REVISION	DESCRIPTION OF CHANGE	DATE	ECO NUMBER	APPROVED BY
A	RELEASED FOR PRODUCTION	4/21/2017	-	



RedLine		DRAWING NUMBER OMW-11136	
		DESCRIPTION 0.750 ID BBH	
		PART NUMBER RBOT20EXTID.75T	
DRAWN BY	DATE 1/26/2016	DESIGN STATUS RELEASED	REV. A
PRIOR DRAWING NUMBERS N/A	WEIGHT N/A	PROCESS STATE FINISHED ASSEMBLY	SCALE 1:2
			SIZE B
			SHEET 1 OF 1