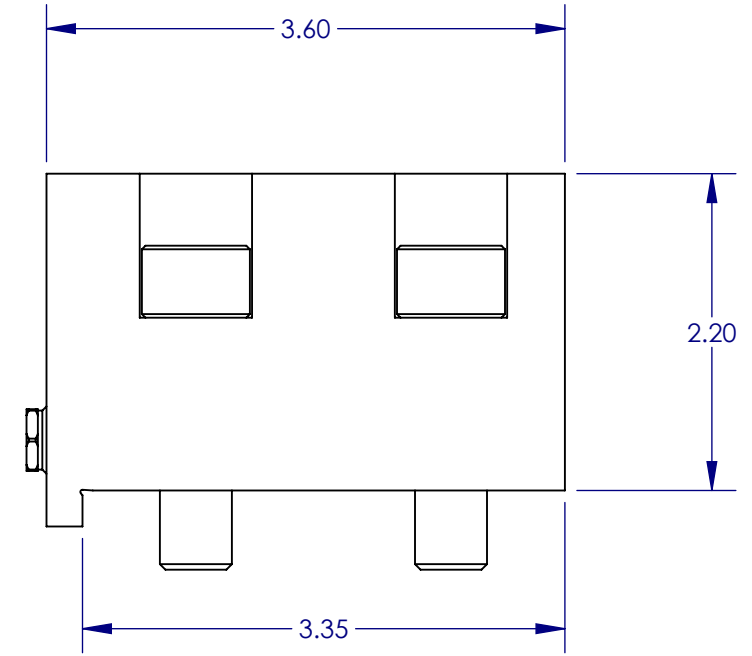
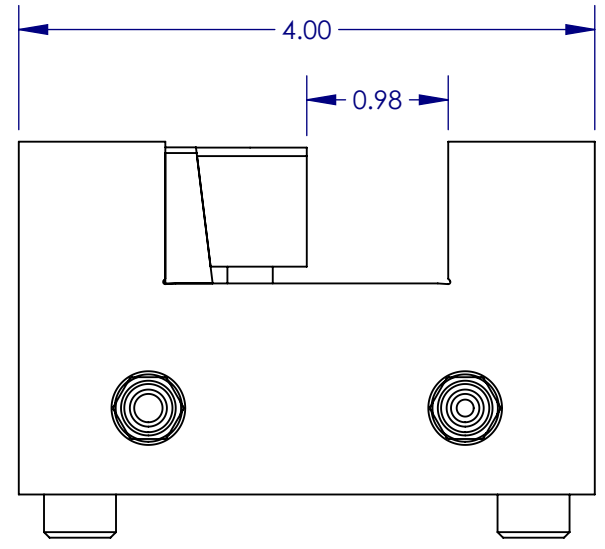
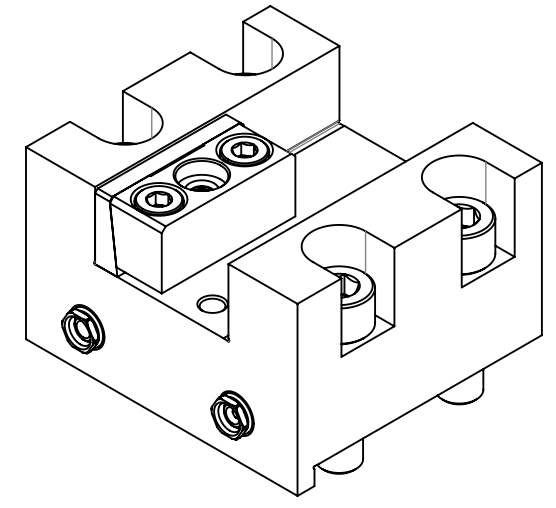
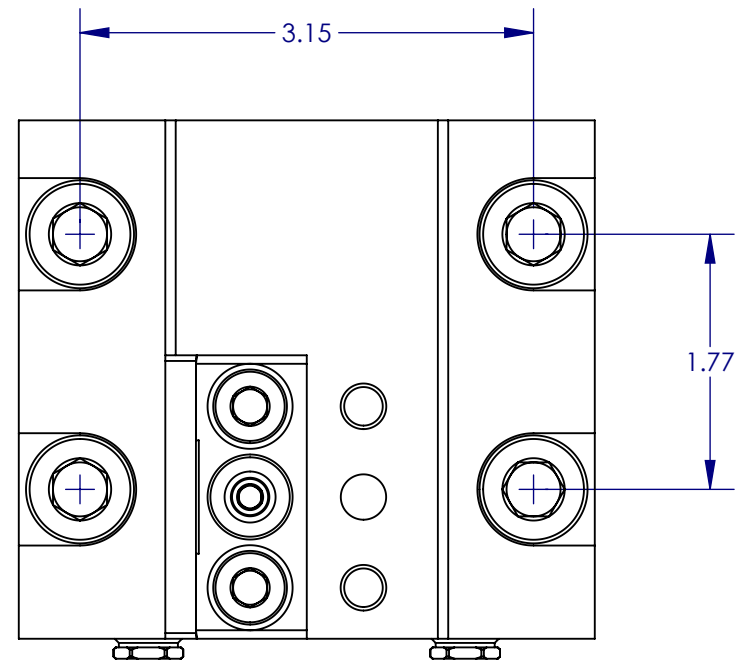


REVISION	DESCRIPTION OF CHANGE	DATE	ECO NUMBER	APPROVED BY
PRE-01	INITIAL DESIGN	03/10/2016	-	



<b>RedLine</b>		DRAWING NUMBER <b>OMW-11133</b>	
		DESCRIPTION <b>25MM OD F/G</b>	
		PART NUMBER <b>RBOT20MFG25MM</b>	
DRAWN BY	DATE <b>12/01/2015</b>	DESIGN STATUS <b>PRE-PRODUCTION</b>	REV. <b>PRE-01</b>
PRIOR DRAWING NUMBERS <b>N/A</b>	WEIGHT <b>N/A</b>	PROCESS STATE <b>FINISHED ASSEMBLY</b>	SCALE <b>3:4</b>
			SIZE <b>B</b>
			SHEET <b>1 OF 1</b>