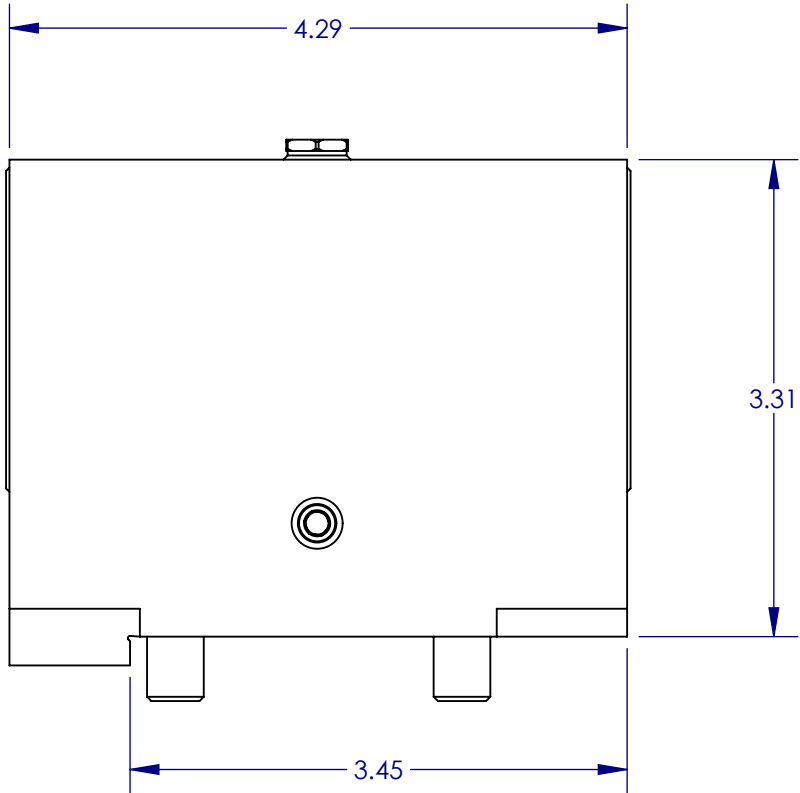
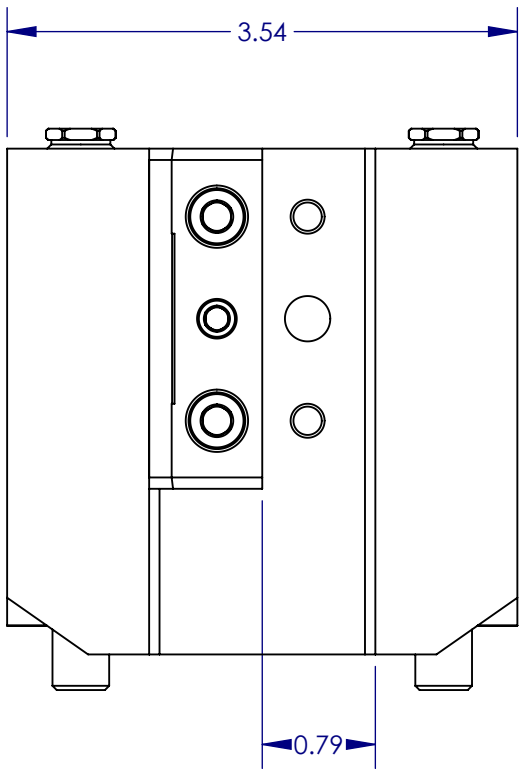
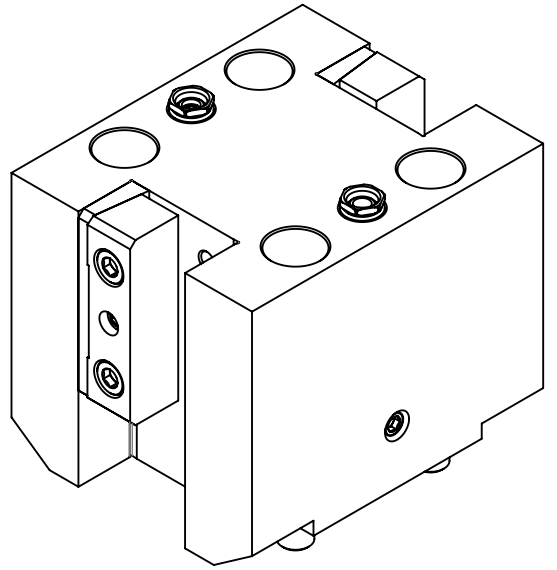
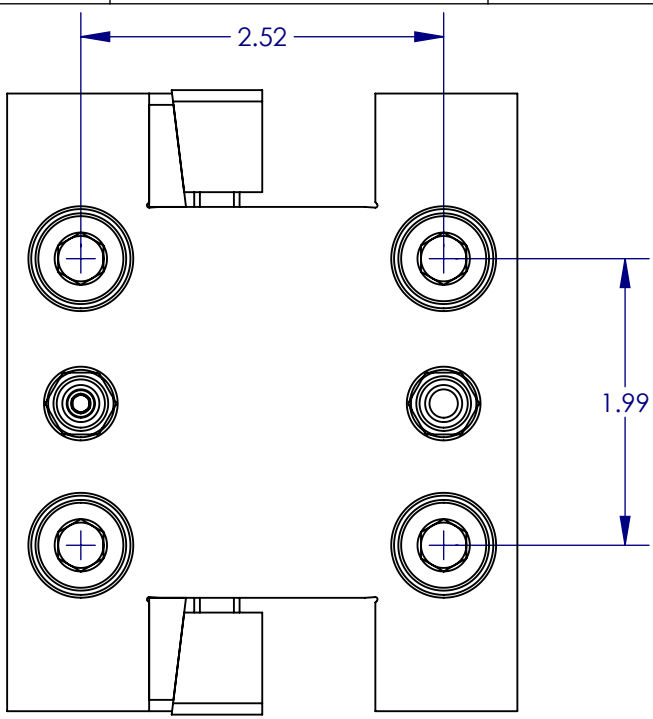


DRAWING NUMBER
OMW-11127

REVISION	DESCRIPTION OF CHANGE	DATE	ECO NUMBER	APPROVED BY
PRE-02	MODIFIED COMPONENT PRINT	02/07/2017	-	



RedLine		DRAWING NUMBER OMW-11127	
		DESCRIPTION 20MM OD TTH	
		PART NUMBER RBOT24EXMOD20MMT	
DRAWN BY	DATE 11/16/2015	DESIGN STATUS PRE-PRODUCTION	REV. PRE-02
PRIOR DRAWING NUMBERS N/A	WEIGHT N/A	PROCESS STATE FINISHED ASSEMBLY	SCALE 3:4
			SIZE B
			SHEET 1 OF 1