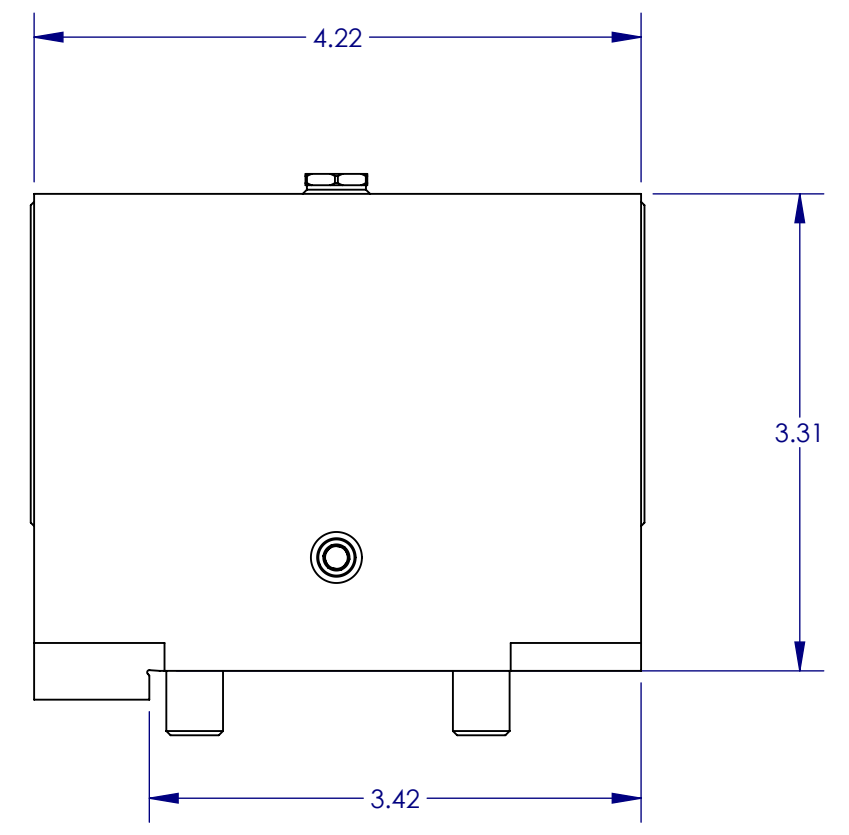
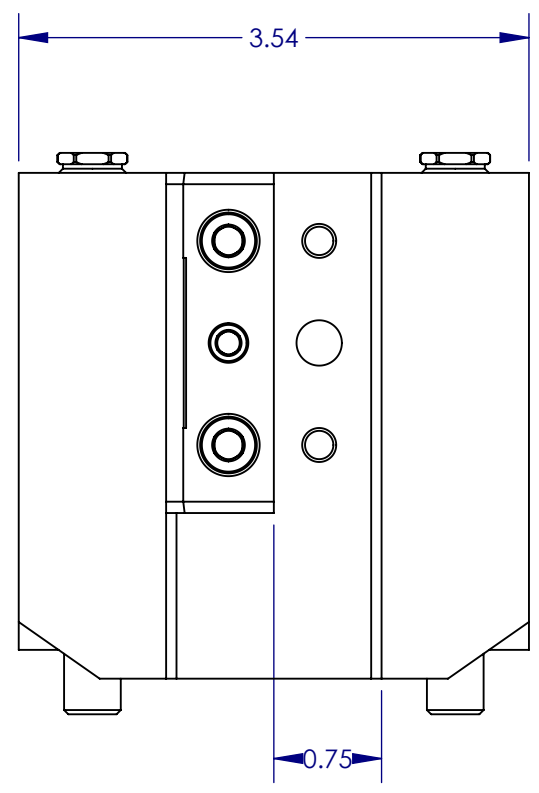
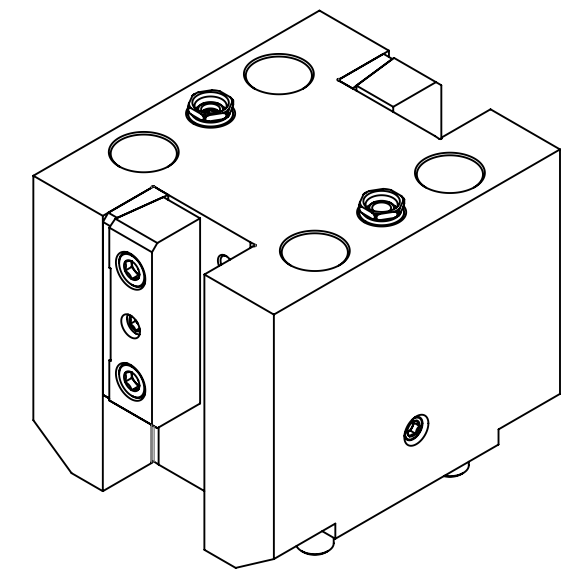
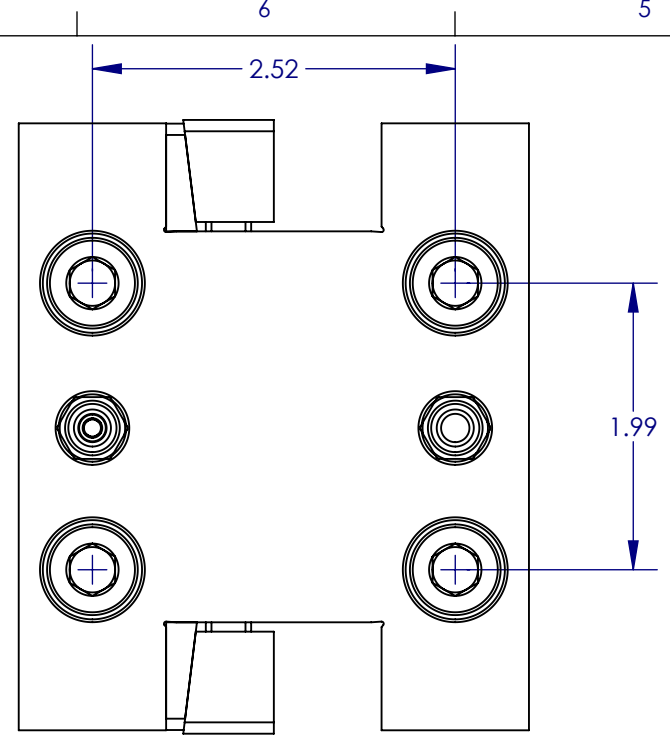


DRAWING NUMBER
OMW-11126

REVISION	DESCRIPTION OF CHANGE	DATE	ECO NUMBER	APPROVED BY
A	RELEASED FOR PRODUCTION	04/21/2017	-	



RedLine		DRAWING NUMBER OMW-11126	
		DESCRIPTION 0.750 OD TTH	
		PART NUMBER RBOT24EXTOD.75T	
DRAWN BY	DATE 11/16/2015	DESIGN STATUS RELEASED	REV. A
PRIOR DRAWING NUMBERS N/A	WEIGHT N/A	PROCESS STATE FINISHED ASSEMBLY	SCALE 3:4
SIZE B			SHEET 1 OF 1