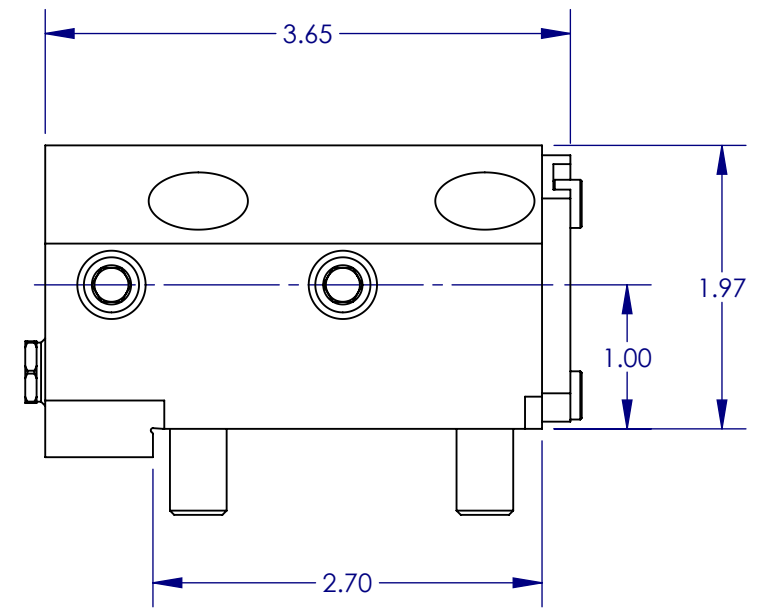
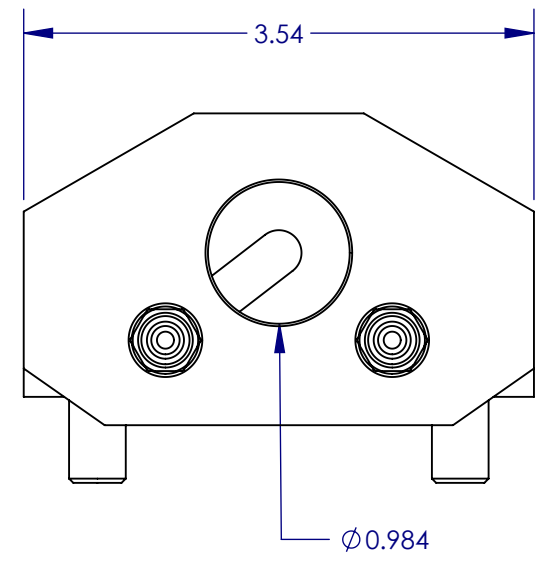
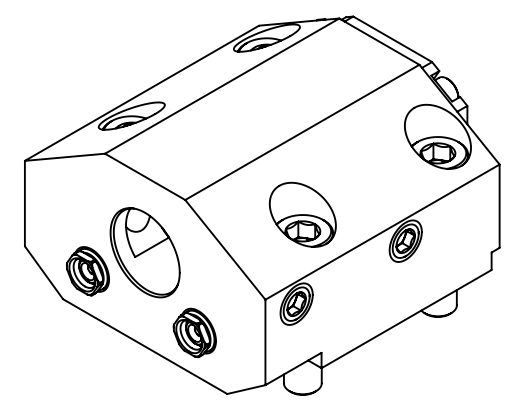
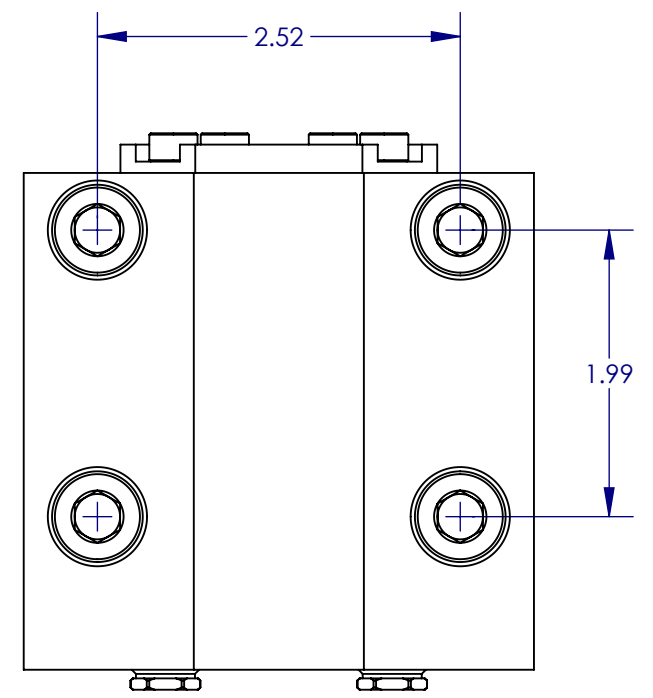


DRAWING NUMBER  
**OMW-11123**

REVISION	DESCRIPTION OF CHANGE	DATE	ECO NUMBER	APPROVED BY
PRE-02	MODIFIED COMPONENT PRINT	02/08/2017	-	



<b>RedLine</b>		DRAWING NUMBER <b>OMW-11123</b>	
		DESCRIPTION <b>25MM ID BBH</b>	
		PART NUMBER <b>RBOT24MID25MM</b>	
DRAWN BY	DATE 11/16/2015	DESIGN STATUS PRE-PRODUCTION	REV. PRE-02
PRIOR DRAWING NUMBERS N/A	WEIGHT N/A	PROCESS STATE FINISHED ASSEMBLY	SCALE 3:4
SIZE <b>B</b>			SHEET <b>1 OF 1</b>