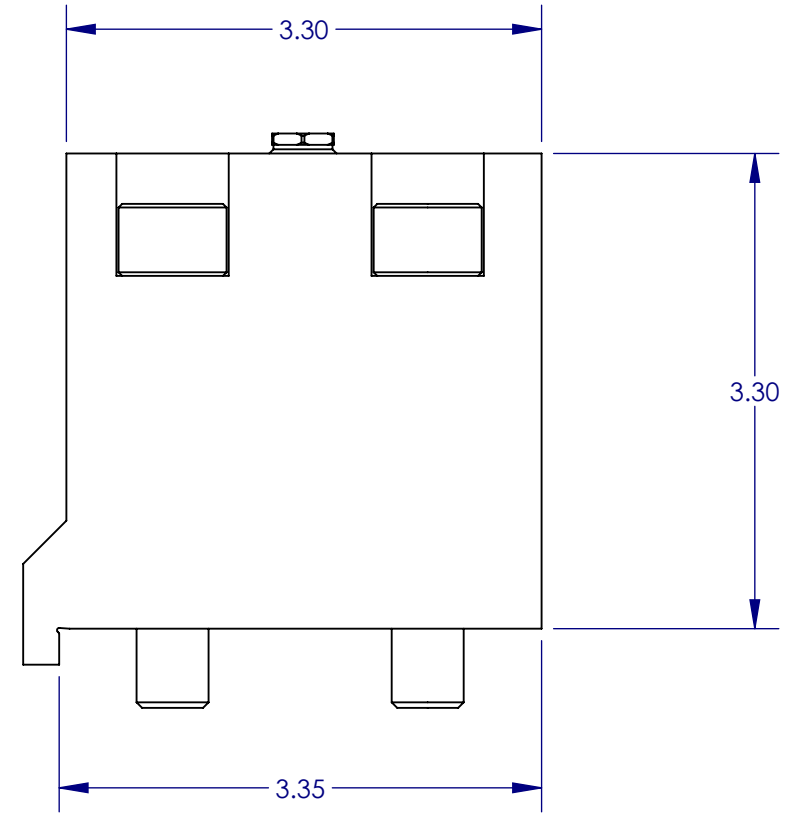
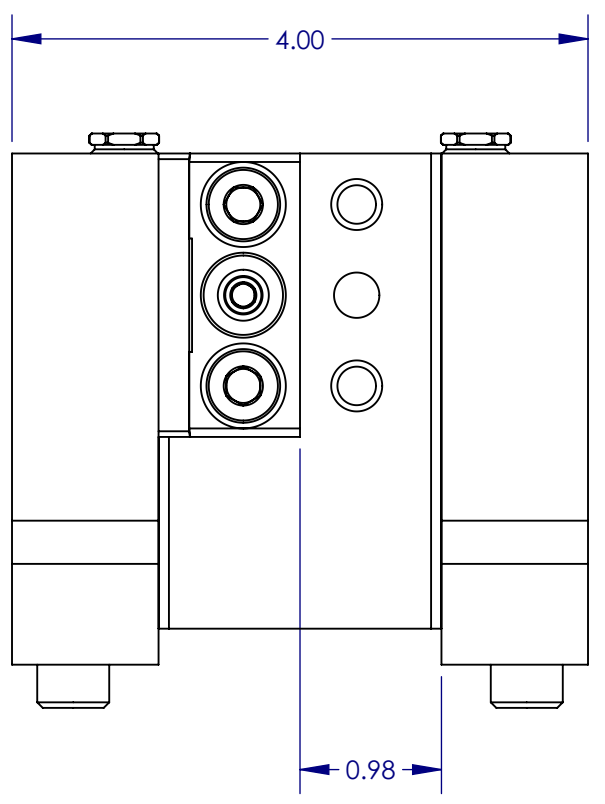
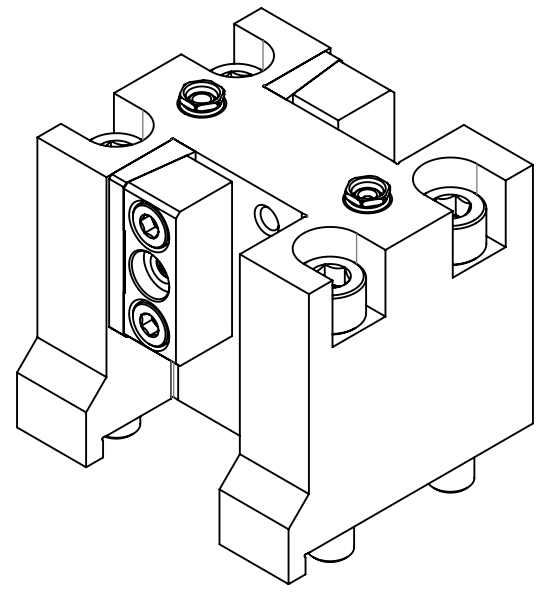
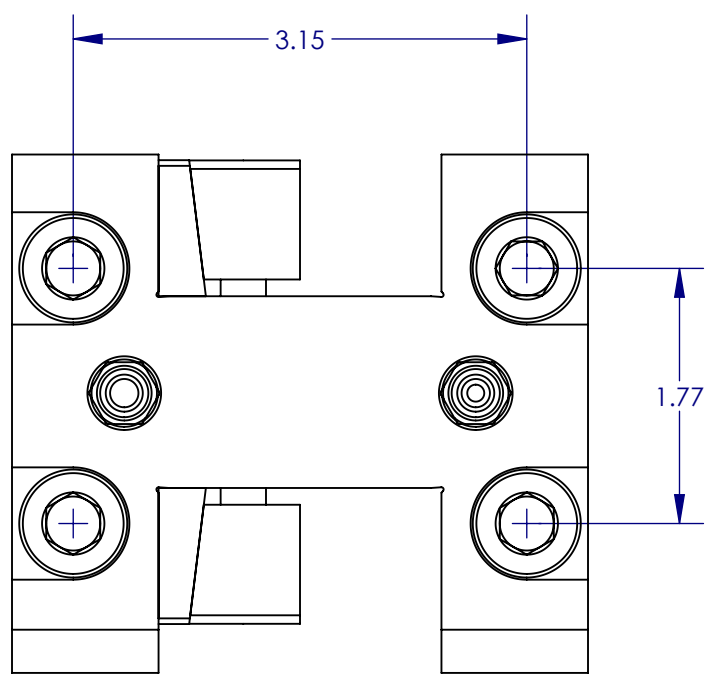


DRAWING NUMBER  
**OMW-11119**

REVISION	DESCRIPTION OF CHANGE	DATE	ECO NUMBER	APPROVED BY
PRE-01	INITIAL DESIGN	11/16/2015	-	



D  
C  
B  
A

D  
C  
B  
A

<b>RedLine</b>		DRAWING NUMBER <b>OMW-11119</b>	
		DESCRIPTION <b>25MM OD TTH</b>	
PART NUMBER <b>RBOT20EXTMOD25MMT</b>		REV. <b>PRE-01</b>	
DRAWN BY	DATE 11/16/2015	DESIGN STATUS <b>PRE-PRODUCTION</b>	SCALE <b>3:4</b>
PRIOR DRAWING NUMBERS N/A	WEIGHT N/A	PROCESS STATE <b>FINISHED ASSEMBLY</b>	SHEET <b>1 OF 1</b>
SIZE <b>B</b>			