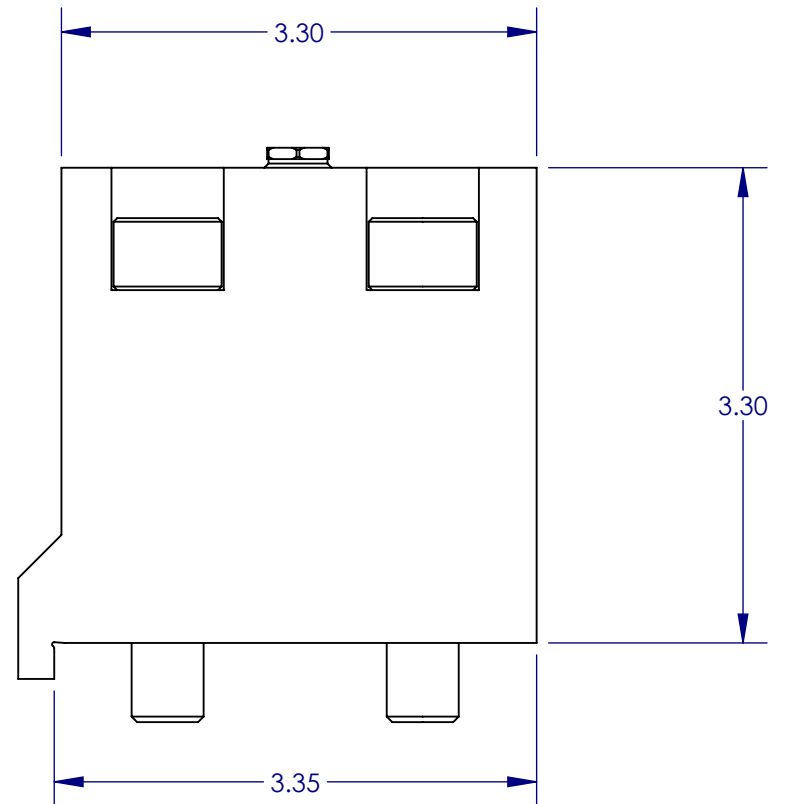
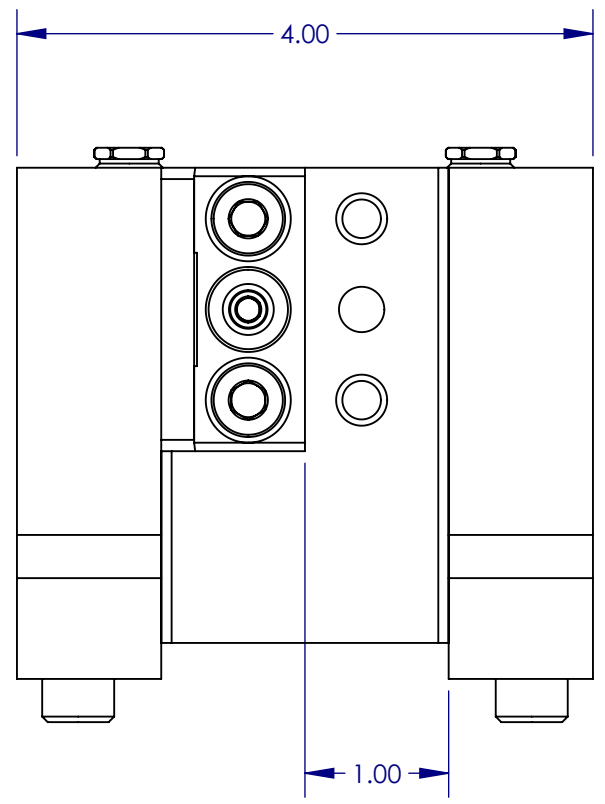
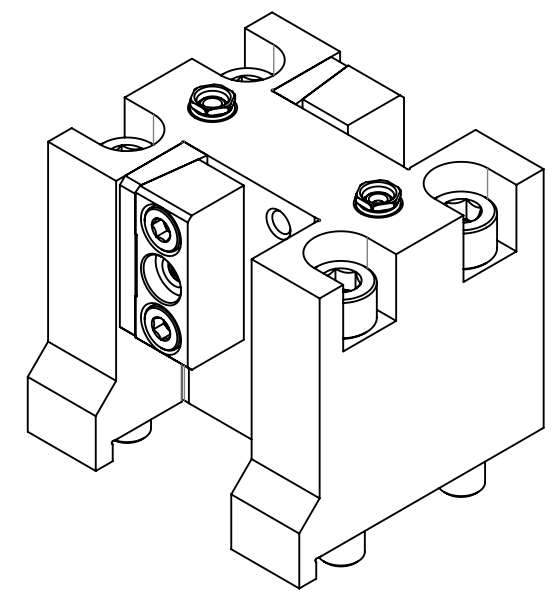
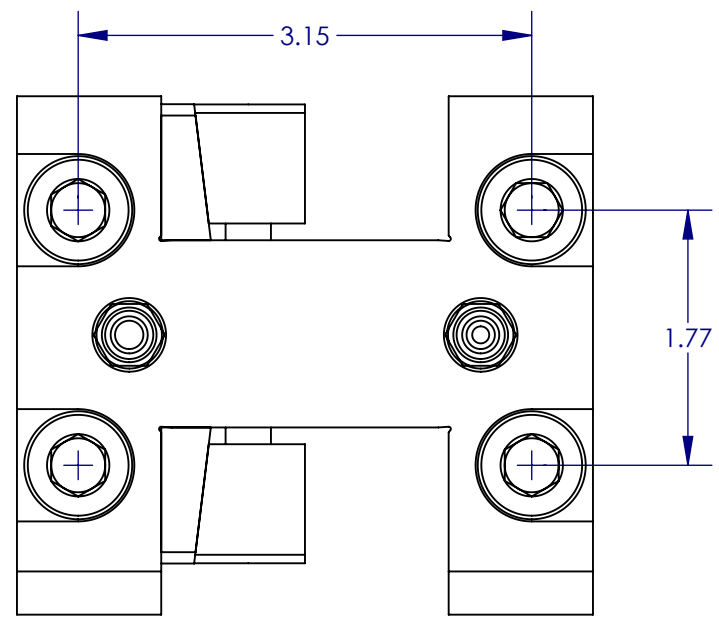


REVISION	DESCRIPTION OF CHANGE	DATE	ECO NUMBER	APPROVED BY
PRE-01	INITIAL DESIGN	11/16/2015	-	



<b>RedLine</b>		DRAWING NUMBER <b>OMW-11118</b>	
		DESCRIPTION <b>1.000 OD TTH</b>	
		PART NUMBER <b>RBOT20EXTOD1.00T</b>	
DRAWN BY	DATE <b>11/16/2015</b>	DESIGN STATUS <b>PRE-PRODUCTION</b>	REV. <b>PRE-01</b>
PRIOR DRAWING NUMBERS <b>N/A</b>	WEIGHT <b>N/A</b>	PROCESS STATE <b>FINISHED ASSEMBLY</b>	SCALE <b>3:4</b>
SIZE <b>B</b>			SHEET <b>1 OF 1</b>