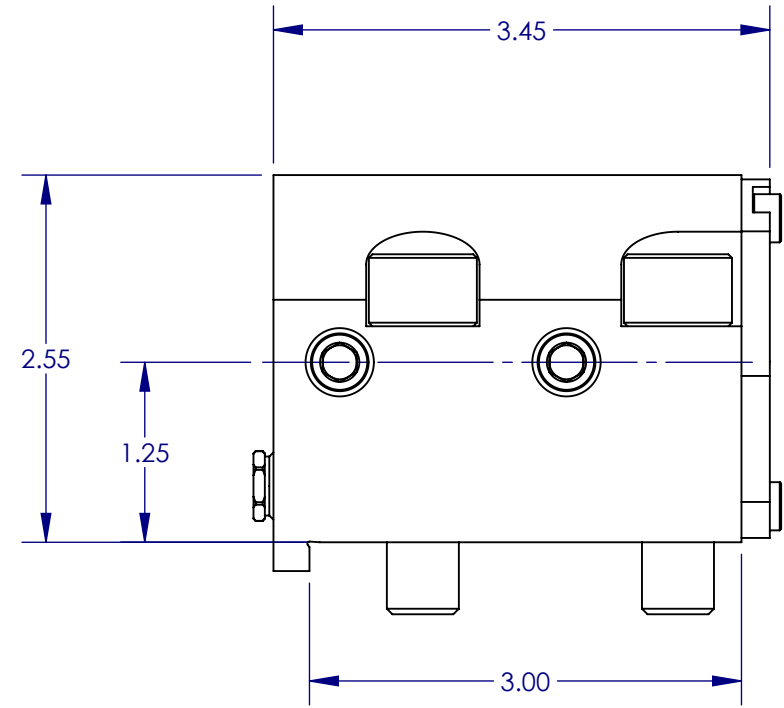
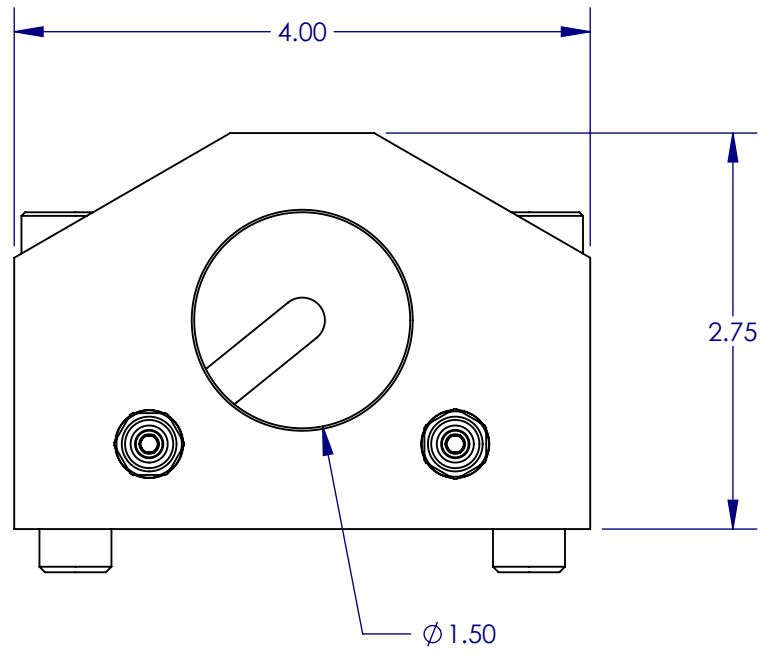
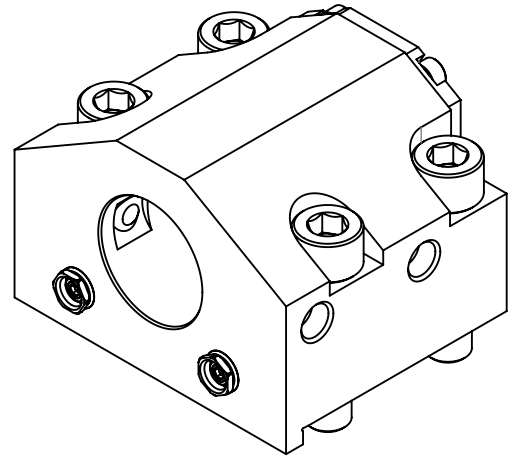
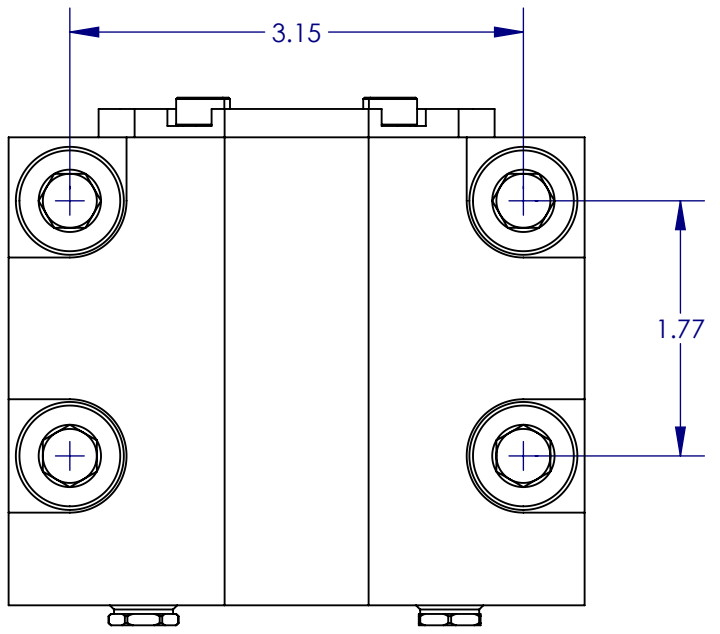


DRAWING NUMBER
OMW-11116

REVISION	DESCRIPTION OF CHANGE	DATE	ECO NUMBER	APPROVED BY
A	RELEASED FOR PRODUCTION	08/29/2017	-	



RedLine	DRAWING NUMBER OMW-11116		
	DESCRIPTION 1.500 ID BBH		
PART NUMBER RBOT20ID1.50			
DRAWN BY	DATE 11/16/2015	DESIGN STATUS RELEASED	REV. A
PRIOR DRAWING NUMBERS N/A	WEIGHT N/A	PROCESS STATE FINISHED ASSEMBLY	SCALE 3:4
SIZE B			SHEET 1 OF 1