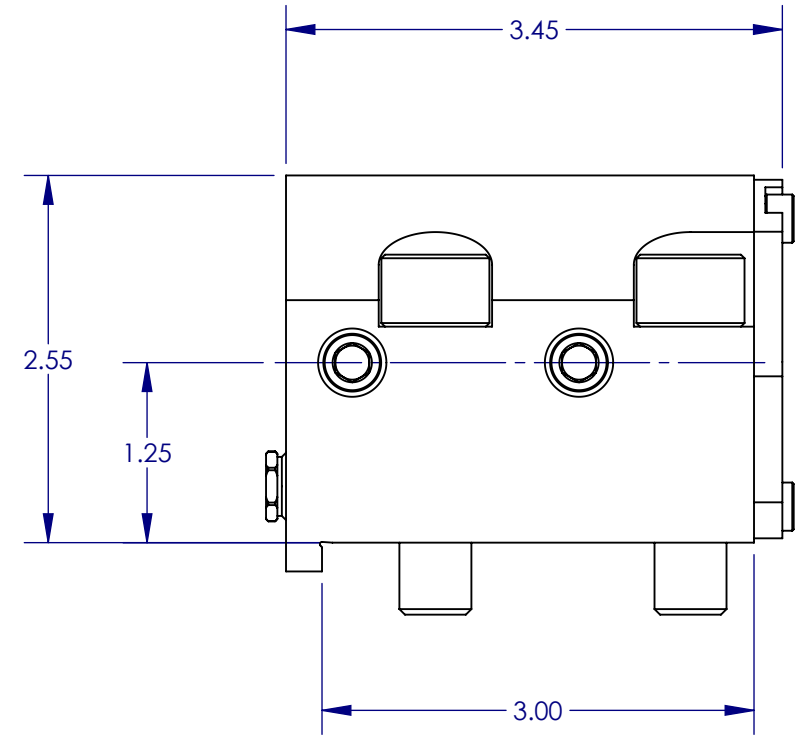
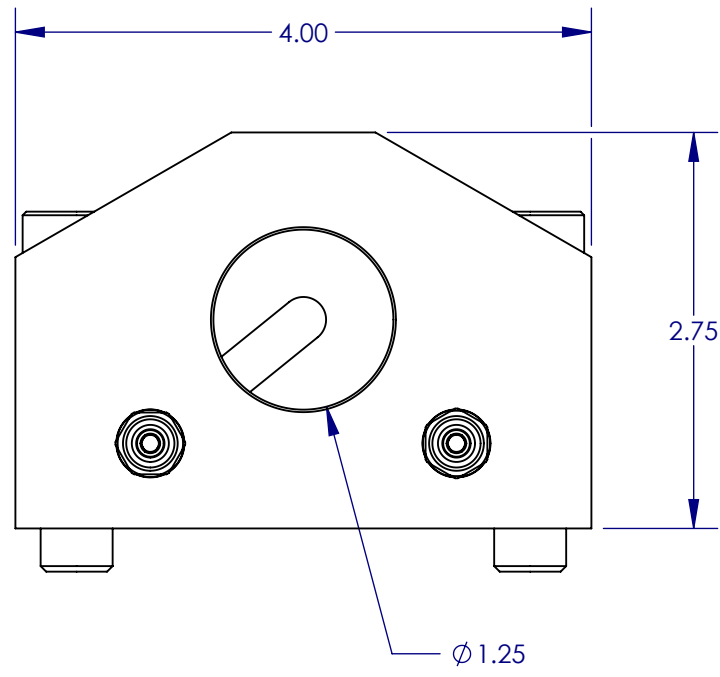
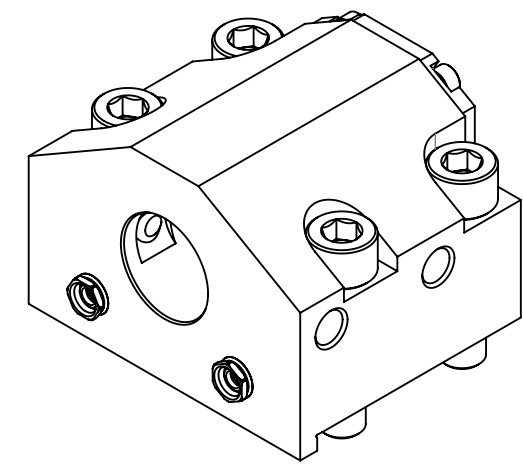
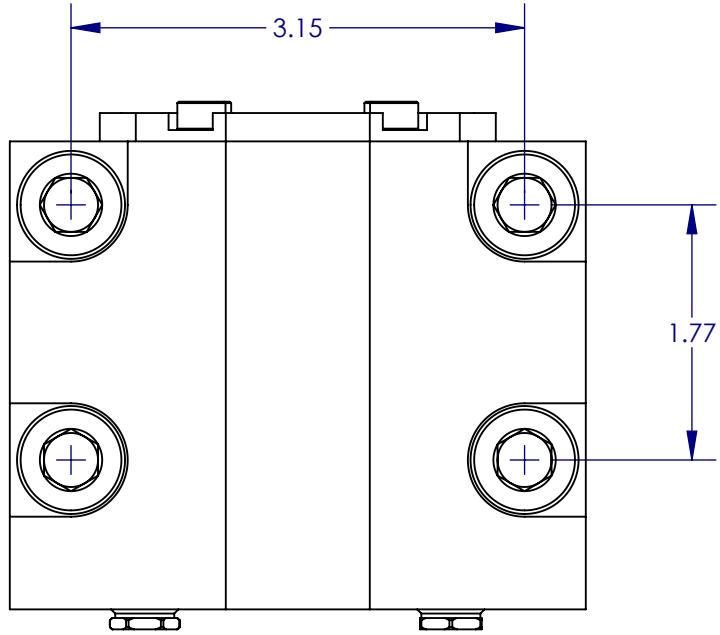


DRAWING NUMBER **OMW-11114**

REVISION	DESCRIPTION OF CHANGE	DATE	ECO NUMBER	APPROVED BY
PRE-01	INITIAL DESIGN	03/10/2016	-	



<h1 style="margin: 0;">RedLine</h1>		DRAWING NUMBER <b>OMW-11114</b>	
		DESCRIPTION <b>1.250 ID BBH</b>	
		PART NUMBER <b>RBOT20ID1.25</b>	
DRAWN BY	DATE	DESIGN STATUS	REV.
	11/16/2015	PRE-PRODUCTION	PRE-01
PRIOR DRAWING NUMBERS	WEIGHT	PROCESS STATE	SCALE
N/A	N/A	FINISHED ASSEMBLY	3:4
			SIZE <b>B</b>
			SHEET <b>1 OF 1</b>