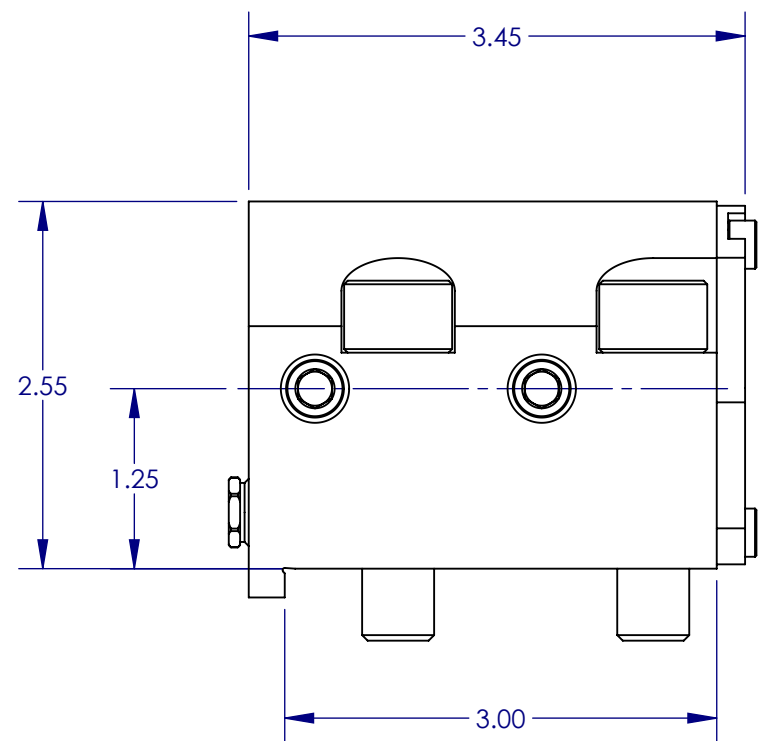
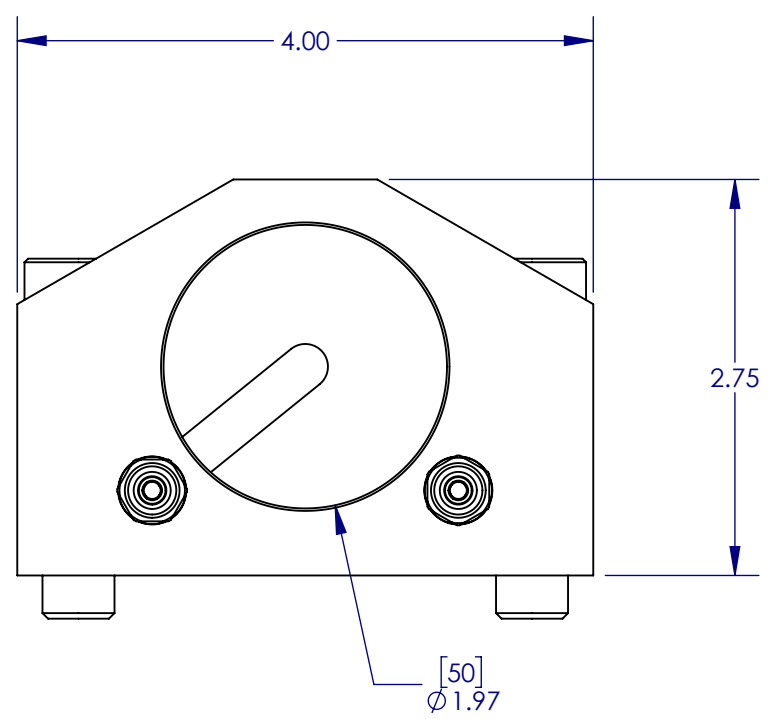
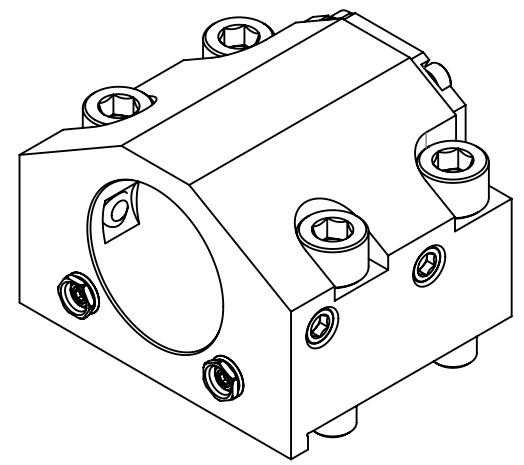
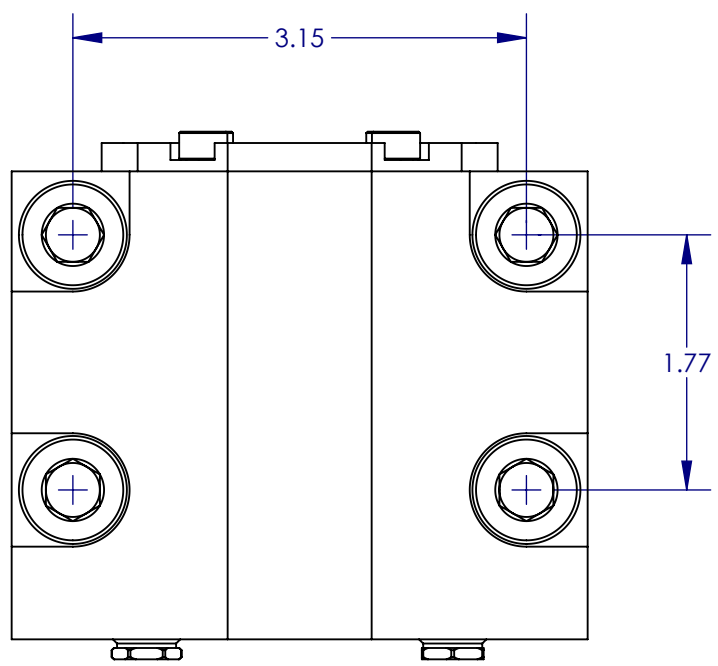


DRAWING NUMBER
OMW-11113

| REVISION | DESCRIPTION OF CHANGE | DATE | ECO NUMBER | APPROVED BY |
|----------|-----------------------|------------|------------|-------------|
| PRE-01 | INITIAL DESIGN | 03/10/2016 | - | |



| | | | |
|------------------------------|--------------------|-------------------------------------|------------------------|
| RedLine | | DRAWING NUMBER OMW-11113 | |
| | | DESCRIPTION 50MM ID BBH | |
| | | PART NUMBER RBOT20MID50MM | |
| DRAWN BY | DATE 11/16/2015 | DESIGN STATUS PRE-PRODUCTION | REV. PRE-01 |
| PRIOR DRAWING NUMBERS N/A | WEIGHT N/A | PROCESS STATE FINISHED ASSEMBLY | SCALE 3:4 |
| SIZE B | | | SHEET 1 OF 1 |