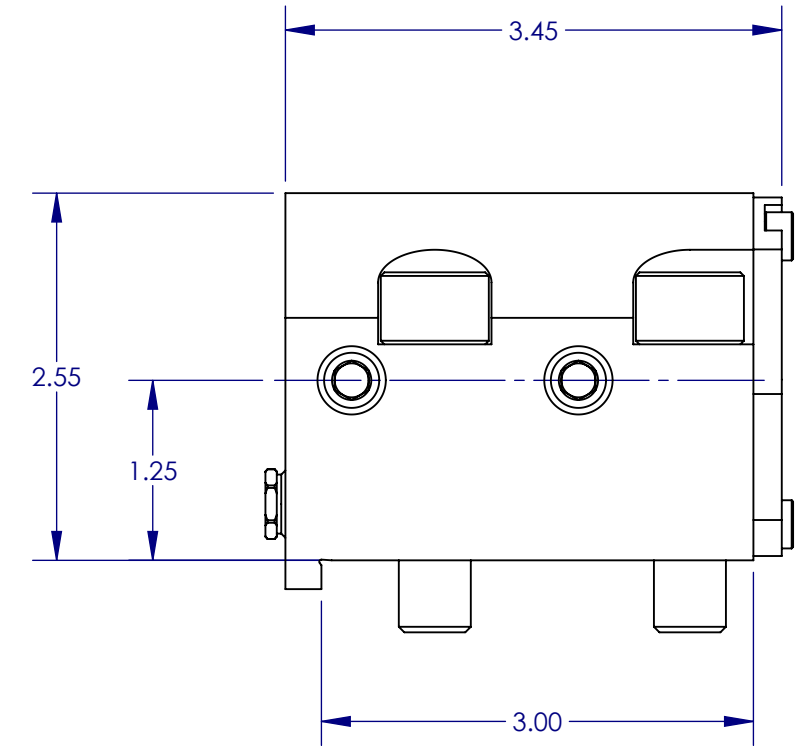
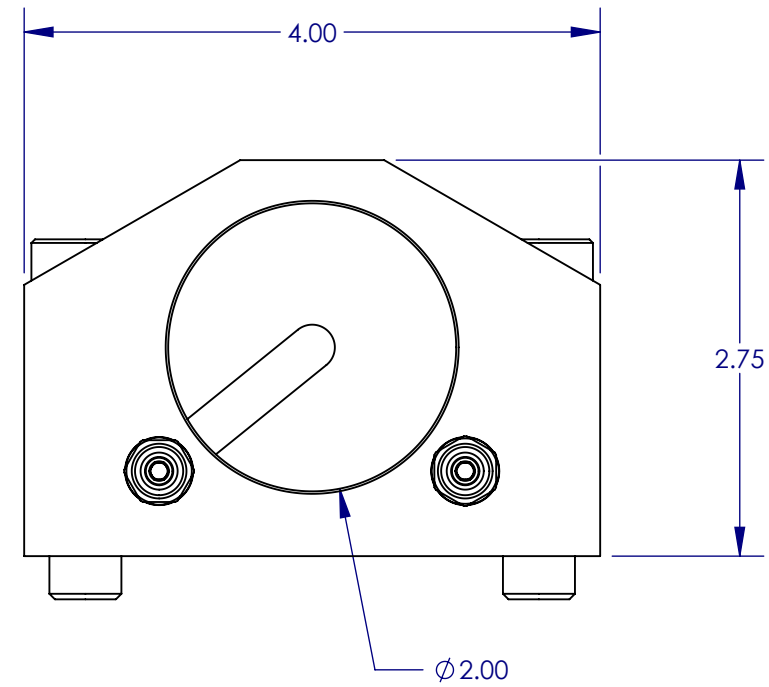
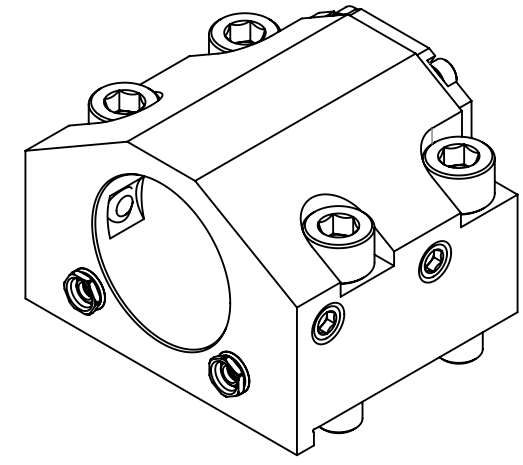
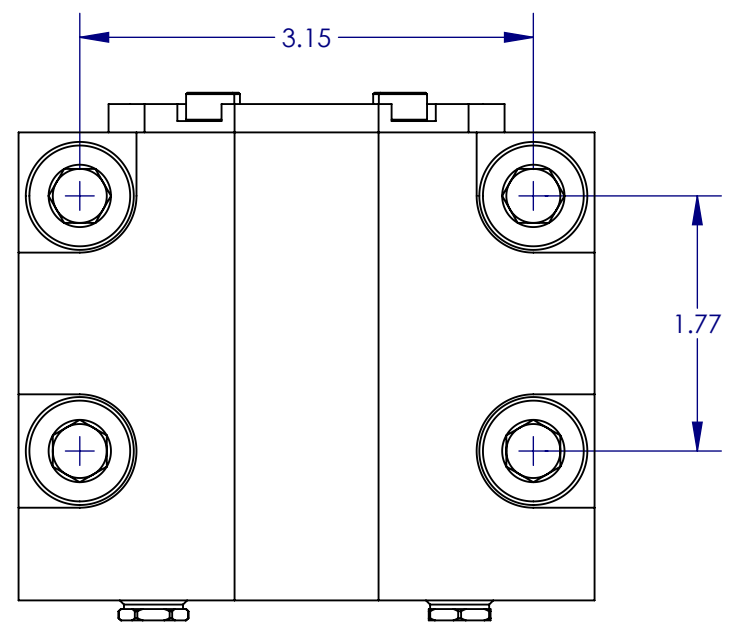


DRAWING NUMBER  
**OMW-11112**

REVISION	DESCRIPTION OF CHANGE	DATE	ECO NUMBER	APPROVED BY
PRE-01	INITIAL DESIGN	03/10/2016	-	



<b>RedLine</b>	DRAWING NUMBER <b>OMW-11112</b>	
	DESCRIPTION <b>2.000 ID BBH</b>	
PART NUMBER <b>RBOT20ID2.00</b>		
DRAWN BY	DATE 11/16/2015	DESIGN STATUS PRE-PRODUCTION
PRIOR DRAWING NUMBERS N/A	WEIGHT N/A	PROCESS STATE FINISHED ASSEMBLY
SIZE <b>B</b>		REV. PRE-01
SHEET <b>1 OF 1</b>		SCALE 3:4