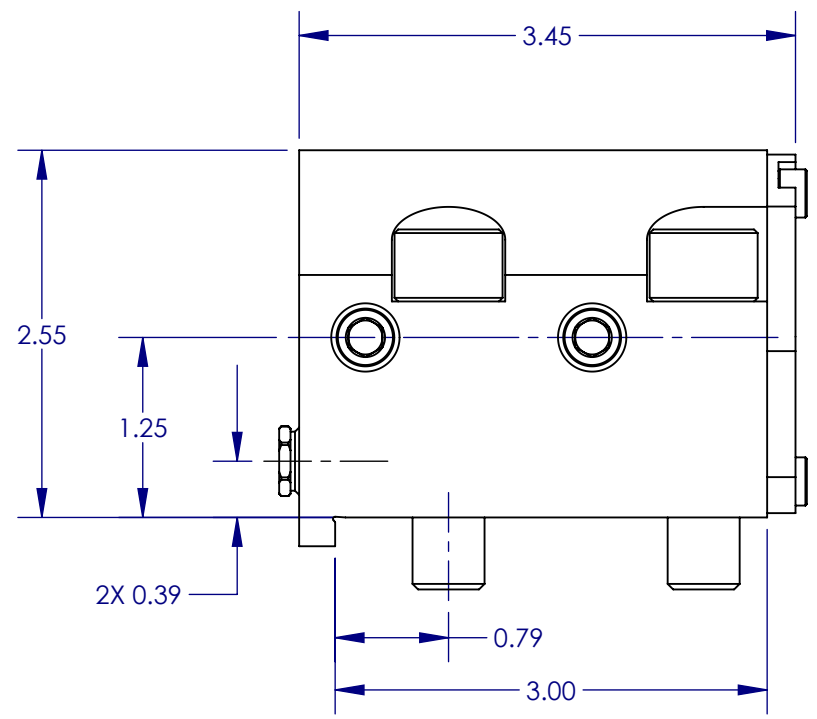
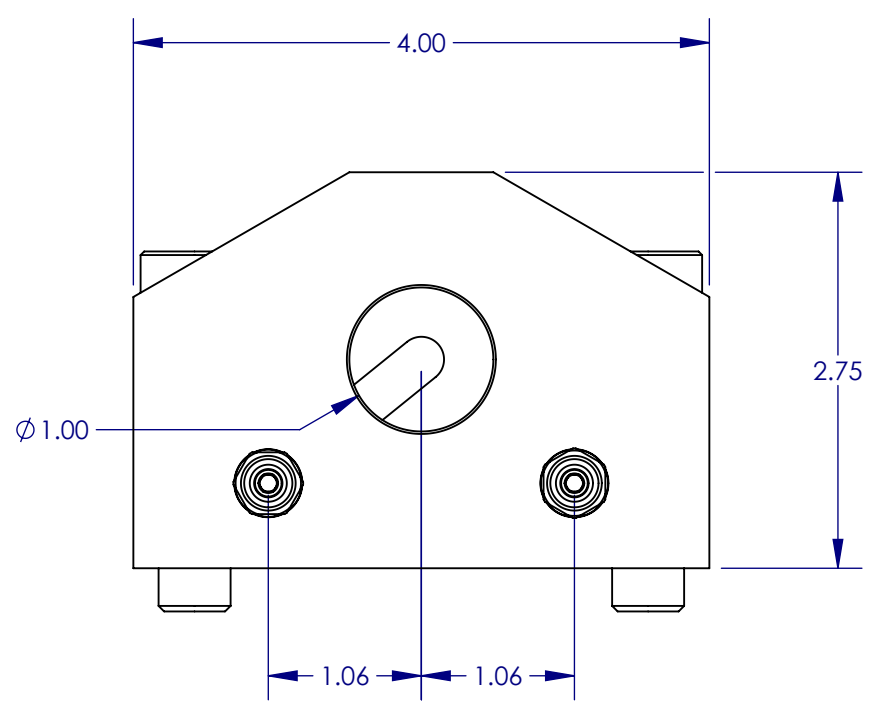
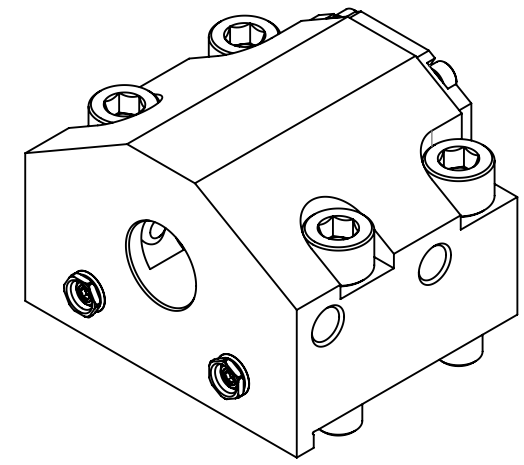
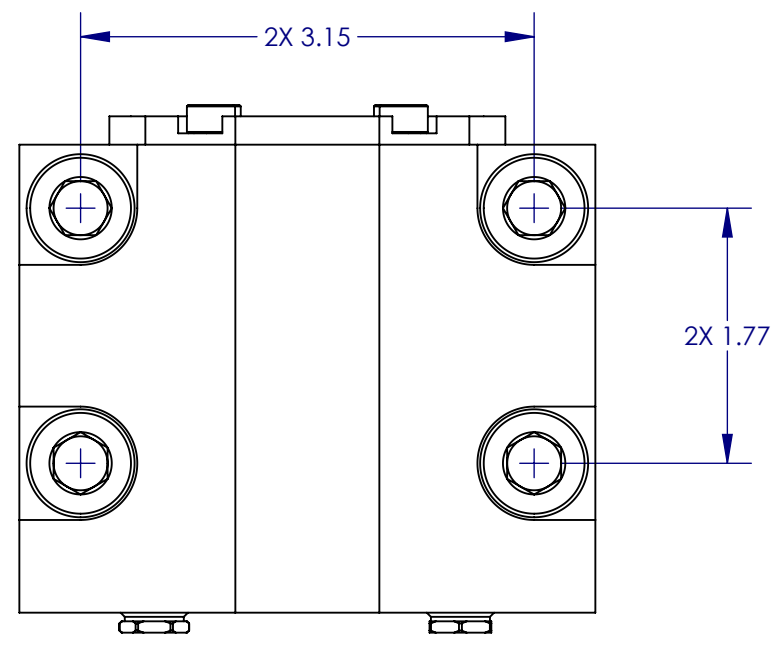


DRAWING NUMBER
OMW-11110

REVISION	DESCRIPTION OF CHANGE	DATE	ECO NUMBER	APPROVED BY
PRE-01	INITIAL DESIGN	02/18/2016	-	



RedLine		DRAWING NUMBER OMW-11110	
		DESCRIPTION 1.000 ID BBH	
		PART NUMBER RBOT20ID1.00	
DRAWN BY	DATE 02/18/2016	DESIGN STATUS PRE-PRODUCTION	REV. PRE-01
PRIOR DRAWING NUMBERS N/A	WEIGHT N/A	PROCESS STATE FINISHED ASSEMBLY	SCALE 3:4
SIZE B			SHEET 1 OF 1